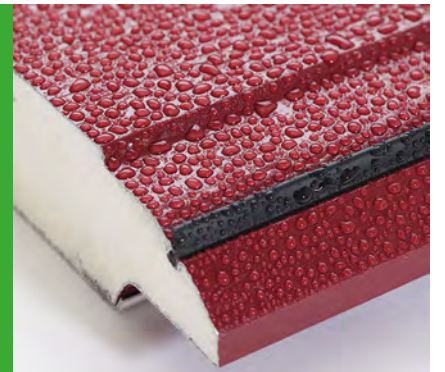




DOOR SYSTEMS

**Garage doors Prestige
Industrial doors
ProPlus, AluPro, AluTherm**

Technical catalogue



Contents

1. Sectional door series Prestige and ProPlus.....	11
1.1 Sectional door design	13
1.2 Door leaf	23
1.3 Inbuilt wicket.....	85
1.4 Track and hanger systems.....	133
1.5 Balancing system.....	173
2. Optional extras	215
3. Fixings.....	227
4. Repair kits	233

04.2020 © ALUTECH

Due to the continuous improvement of the sectional door design,
ALUTECH Company reserves the right to amend this document at its own discretion.
The contents of this document can not serve the basis for legal claims.

Article.....	page
4.8x9.5SDX.....	231
6.3x16S.....	231
6.3x16S-SS.....	231
6.3x25s.....	231
6.3x25S-SS.....	231
8x25S.....	231
10x50D.....	232
11042511.....	125
11042512.....	125
11042513.....	132
11043124.....	53
418700074.....	75
418700075.....	75
418700076.....	75
418700077.....	75
418700078.....	75
418700079.....	75
418700080.....	75
418700081.....	75
418700082.....	75
418700083.....	75
418700084.....	75
418700085.....	75
418700086.....	75
418700195.....	75
AC-1.....	183
AC-5/4.....	183
B133.....	155
B134.....	154
B180SL.....	159
B180SR.....	159
B0300.....	163
B802.....	164
B-1015.....	68
B-1015.....	68
B-3501.....	164
BB0401.....	205
BR0400.....	205
BS11.....	97
BSB0302.....	170
C2x0.5.....	123
C-9/57.....	76
C-10/58.....	75
C-36/41.....	126
C-36/41M.....	126
C0502G.....	221
C1010.....	49
C1011.....	49
CD010N.....	193
CD011V.....	196
CD012N.....	193
CD018N.....	193
CD018V.....	196
CD018V-5/4.....	196
CD032N.....	194
CD032N-5/4.....	194
CD054H.....	194
CD120H.....	195
CD164H.....	195
CD164H-5/4.....	195
CH0501.....	221
CH-5013.....	221
CP113-80.....	157
CP113-100.....	157
CP113-120.....	157
CP113-130.....	157
CP113-150.....	157
CP113-180.....	157
CP-133.....	158

Article.....	page
CP0506.....	218
CP813-100.....	157
CP813-120.....	157
CP813-150.....	157
CP813-180.....	157
CP861.....	158
CP861S.....	158
CP864.....	158
CR-3-250.....	178
CR-3-250-P.....	197
CR-3-250-SS.....	197
CR-4-250-P.....	197
CR-4-250-SS.....	197
CR-5-250-P.....	197
CR-5-250-SS.....	197
CR-6-250.....	197
CR-6-250-SS.....	197
CRS1-3.....	198
CRS1-4.....	198
CRS1-5.....	198
CRS1-6.....	198
CRS2-3.....	178
CRS2-3.....	198
CRS2-4.....	198
CRS2-5.....	198
CRS2-6.....	198
CRT-3.....	178
CRT-3.....	198
CRT-5.....	198
CRT-6.....	198
CT0.05-425-2625.....	36
CT0.05-425-3025.....	36
CT0.05-425-3525.....	36
CT0.05-425-4025.....	36
CT0.05-425-4526.....	36
CT0.05-425-5040.....	36
CT0.05-450-2625.....	37
CT0.05-450-3025.....	37
CT0.05-450-3525.....	37
CT0.05-450-4025.....	37
CT0.05-450-4526.....	37
CT0.05-450-5040.....	37
CT0.05-475-2625.....	37
CT0.05-475-3025.....	37
CT0.05-475-3525.....	37
CT0.05-475-4025.....	37
CT0.05-475-4526.....	37
CT0.05-475-5040.....	37
CT0.05-500-2625.....	38
CT0.05-500-3025.....	38
CT0.05-500-3525.....	38
CT0.05-500-4025.....	38
CT0.05-500-4526.....	38
CT0.05-500-5040.....	38
CT0.05-525-2625.....	38
CT0.05-525-3025.....	38
CT0.05-525-3525.....	38
CT0.05-525-4025.....	38
CT0.05-525-4526.....	38
CT0.05-525-5040.....	38
CT0.06-425-3025.....	36
CT0.06-425-3525.....	36
CT0.06-425-4025.....	36
CT0.06-425-4526.....	36
CT0.06-425-5040.....	36
CT0.06-450-3025.....	37
CT0.06-450-3525.....	37
CT0.06-450-4025.....	37
CT0.06-450-4526.....	37

Article.....	page
CT0.06-450-5040.....	37
CT0.06-475-3025.....	37
CT0.06-475-3525.....	37
CT0.06-475-4025.....	37
CT0.06-475-4526.....	37
CT0.06-475-5040.....	37
CT0.06-500-3025.....	38
CT0.06-500-3525.....	38
CT0.06-500-4025.....	38
CT0.06-500-4526.....	38
CT0.06-500-5040.....	38
CT0.06-525-3025.....	38
CT0.06-525-3525.....	38
CT0.06-525-4025.....	38
CT0.06-525-4526.....	38
CT0.06-525-5040.....	38
CT1.01-425-2625.....	34
CT1.01-425-3025.....	34
CT1.01-425-3525.....	34
CT1.01-425-4025.....	34
CT1.01-425-4526.....	34
CT1.01-425-5040.....	34
CT1.01-450-2625.....	34
CT1.01-450-3025.....	34
CT1.01-450-3525.....	34
CT1.01-450-4025.....	34
CT1.01-450-4526.....	34
CT1.01-450-5040.....	34
CT1.01-475-2625.....	35
CT1.01-475-3025.....	35
CT1.01-475-3525.....	35
CT1.01-475-4025.....	35
CT1.01-475-4526.....	35
CT1.01-475-5040.....	35
CT1.01-500-2625.....	35
CT1.01-500-3025.....	35
CT1.01-500-3525.....	35
CT1.01-500-4025.....	35
CT1.01-500-4526.....	35
CT1.01-500-5040.....	35
CT1.01-525-2625.....	36
CT1.01-525-3025.....	36
CT1.01-525-3525.....	36
CT1.01-525-4025.....	36
CT1.01-525-4526.....	36
CT1.01-525-5040.....	36
CT1.02-425-3025.....	34
CT1.02-425-3525.....	34
CT1.02-425-4025.....	34
CT1.02-425-4526.....	34
CT1.02-425-5040.....	34
CT1.02-450-3025.....	34
CT1.02-450-3525.....	34
CT1.02-450-4025.....	34
CT1.02-450-4526.....	34
CT1.02-450-5040.....	34
CT1.02-475-3025.....	35
CT1.02-475-3525.....	35
CT1.02-475-4025.....	35
CT1.02-475-4526.....	35
CT1.02-475-5040.....	35
CT1.02-500-3025.....	35
CT1.02-500-3525.....	35
CT1.02-500-4025.....	35
CT1.02-500-4526.....	35
CT1.02-500-5040.....	35
CT1.02-525-3025.....	36
CT1.02-525-3525.....	36
CT1.02-525-4025.....	36

Article.....	page
CT1.02-525-4526.....	36
CT1.02-525-5040.....	36
CB132-450.....	153
CB132-500.....	153
DH-4015.....	191
DIC043BR.....	77
DIC043WH.....	77
DIS043BR-3.....	77
DIS043BR-4.....	77
DIS043WH-3.....	77
DIS043WH-4.....	77
DP0207.....	122
DP2010.....	122
DP2027.....	122
DR-11-05.....	217
DR-11-07.....	217
DR-11-10.....	217
DR-12-05.....	217
DR-12-07.....	217
DR-12-10.....	217
EC-45.425L.....	40
EC-45.425R.....	40
EC-45.450DL.....	40
EC-45.450DR.....	40
EC-45.450L.....	40
EC-45.450R.....	40
EC-45.475L.....	40
EC-45.475R.....	40
EC-45.500DL.....	40
EC-45.500DR.....	40
EC-45.500L.....	40
EC-45.500R.....	40
EC-45.525L.....	40
EC-45.525R.....	40
EC-45.625DL.....	40
EC-45.625DR.....	40
EC-45.625L.....	40
EC-45.625R.....	40
FLGU.400.1008.....	132
FLGU.400.1009.....	132
FPB5007.....	65
FPB5010.....	66
FPB-5012.....	66
FPP5008.....	66
FRK07.....	48
FWO100/145B.....	223
FWO100C.....	225
FWO100F.....	224
FWO100H.....	225
FWO145C.....	225
FWO145F.....	224
FWO145H.....	225
GG-58.....	49
GLG-1.....	239
GLG-2.....	239
GLG-3.....	236
GLG-4.....	236
GLG-5.....	262
GLG-6.....	262
GLG-7.....	256
GLG-8.....	263
GLG-9.....	263
GLG-10.....	257
GSH-1.....	295
GSH-2.....	295
GSH-3.....	295
GSH-4.....	296
GSH-5.....	296
GSH-6.....	296

Article.....	page
GSH-7.....	296
GSH-8.....	296
GSH-9.....	296
GSH-10.....	296
GSH-12.....	298
GSH-13.....	298
GSH-14.....	298
GSH-15.....	298
GSH-16.....	298
GSH-17.....	297
GSH-18.....	297
GSH-19.....	299
GSH-20.....	299
GSH-21.....	299
GSH-22.....	299
GSH-23.....	299
GSH-24.....	299
GSH-25.....	299
GSH-27.....	297
GSH-28.....	297
GSH-29.....	295
GTS-1.....	279
HG008.....	71
HGI007.....	71
HGI009.....	70
HGI009.002.01.....	70
HGI009.002.02.....	70
HGI009.002.03.....	70
HGI009.002.04.....	70
HGI009.002.09.....	70
HGI009.002.10.....	70
HGI009.002.12.....	70
HGI009.002.15.....	70
HGI009.002.16.....	70
HGI009.002.17.....	70
HGI009.002.18.....	70
HGI009.002.19.....	70
HGI009.002.20.....	70
HGI009.002.22.....	70
HKG-4.....	281
HKG-5.....	281
HKG-6.....	292
HKG-7.....	293
HKG-8.....	293
HKG-9.....	281
HKG-10.....	281
HKG-11.....	292
HKG-12.....	293
HKG-13.....	293
HKG-15.....	292
HKG-16.....	293
HKG-17.....	293
HKG-18.....	281
HKG-19.....	281
HKG-20.....	293
HKG-21.....	293
HKG-22.....	281
HKG-23.....	281
HKI-10.....	282
HKI-11.....	282
HKI-12.....	294
HKI-13.....	294
HKI-14.....	282
HKI-15.....	282
HKI-16.....	282
HKI-17.....	282
HKI-18.....	294
HKI-19.....	294
HKI-20.....	283

Article.....	page
HKI-21.....	283
HKI-22.....	283
HKI-23.....	283
HKI-24.....	294
HKI-25.....	294
HKI-26.....	283
HKI-27.....	283
HKI-28.....	294
HKI-29.....	294
HKI-30.....	283
HKI-31.....	283
HKI-32.....	294
HKI-33.....	294
HKI-34.....	284
HKI-35.....	284
HKI-36.....	284
HKI-37.....	284
HKI-38.....	294
HKI-39.....	294
HKI-40.....	284
HKI-41.....	284
HKI-42.....	294
HKI-43.....	294
HKI-48.....	285
HKI-49.....	285
HKI-50.....	285
HKI-51.....	285
HKI-52.....	285
HKI-53.....	285
HKI-54.....	286
HKI-55.....	286
HKI-56.....	286
HKI-57.....	286
HKI-58.....	286
HKI-59.....	286
HKI-60.....	286
HKI-61.....	286
HKI-62.....	287
HKI-63.....	287
HKI-64.....	294
HKI-65.....	294
HKI-66.....	287
HKI-67.....	287
HKI-68.....	287
HKI-69.....	287
HKI-70.....	294
HKI-71.....	294
HKI-72.....	288
HKI-73.....	288
HKI-74.....	288
HKI-75.....	288
HKI-76.....	294
HKI-77.....	294
HKI-78.....	288
HKI-79.....	288
HKI-80.....	294
HKI-81.....	294
HKI-82.....	288
HKI-83.....	288
HKI-84.....	294
HKI-85.....	294
HKI-86.....	289
HKI-87.....	289
HKI-88.....	289
HKI-89.....	289
HKI-90.....	294
HKI-91.....	294
HKI-92.....	289
HKI-93.....	289

Article.....	page
HKI-94.....	294
HKI-95.....	294
HKI-100.....	294
HKI-101.....	294
HKI-102.....	294
HKI-103.....	294
HKI-104.....	294
HKI-105.....	294
HKI-106.....	294
HKI-107.....	294
HKI-108.....	290
HKI-109.....	290
HKI-110.....	290
HKI-111.....	290
HKI-112.....	290
HKI-113.....	290
HKI-114.....	291
HKI-115.....	291
HKI-116.....	291
HKI-117.....	291
HKI-118.....	291
HKI-119.....	291
HKU001.....	222
I0500.....	218
IB-86M.....	201
IB-111M.....	201
IB-127M.....	201
IB-152-5/4.....	201
IB-152M.....	201
IB-4508.....	211
IB-4509.....	211
IBB-4501.....	200
IBB-4502.....	200
IBB-4510.....	201
IH111.....	59
IH113.....	58
IH-114.....	59
IP-95-3800.....	190
IP-152-3400.....	190
IS85-2550.....	143
IS85-3060.....	143
IS85-3550.....	143
IS85-4100.....	143
IS85-4580.....	143
IS85-6000.....	143
IS85-7000.....	143
IS85-8000.....	143
LH3004.....	171
LP-3009H.....	72
LPA-1.....	264
LPA-3.....	266
LPA-5.....	268
LPA-6.....	269
LPA-7.....	270
LPA-8.....	271
LPA-15.....	264
LPA-17.....	266
LPA-19.....	268
LPA-20.....	269
LPA-21.....	270
LPA-22.....	271
LPA-27.....	258
LPA-28.....	259
LPA-29.....	260
LPA-30.....	265
LPA-31.....	267
LPA-32.....	272
LPA-33.....	273
LPA-34.....	274

Article.....	page
LPA-35.....	275
LPA-36.....	276
LPA-37.....	277
LPA-38.....	278
LPA-40.....	265
LPA-41.....	267
LPA-42.....	272
LPA-43.....	273
LPA-44.....	274
LPA-45.....	275
LPA-46.....	276
LPA-47.....	277
LPA-48.....	278
LPF-1.....	236
LPF-2.....	237
LPF-3.....	237
LPU-1.....	240
LPU-3.....	241
LPU-5.....	244
LPU-6.....	245
LPU-7.....	246
LPU-8.....	247
LPU-15.....	240
LPU-17.....	241
LPU-19.....	244
LPU-20.....	245
LPU-21.....	246
LPU-22.....	247
LPU-27.....	236
LPU-28.....	237
LPU-29.....	237
LPU-30.....	242
LPU-31.....	243
LPU-32.....	248
LPU-34.....	249
LPU-35.....	250
LPU-36.....	251
LPU-37.....	252
LPU-38.....	253
LPU-39.....	254
LPU-40.....	242
LPU-41.....	243
LPU-42.....	248
LPU-44.....	249
LPU-45.....	250
LPU-46.....	251
LPU-47.....	252
LPU-48.....	253
LPU-49.....	254
LS1016.....	64
M5×22SDX.....	232
M6×12BKL.....	230
M6×12BKL-SS.....	230
M6×12BP.....	229
M6×16BKL.....	230
M6×16BKL-SS.....	230
M6×16BP.....	229
M6N.....	230
M6N-SS.....	230
M8×16BKL.....	229
M8×16BKL-SS.....	229
M8×25BKL.....	230
M8×25BKL-SS.....	230
M8N.....	230
M8N-SS.....	230
M10×55SCOL.....	232
M10×130B.....	229
M10N.....	231
MS-550N.....	160

Article.....	page
MV350Rs-W.....	83
MV350s-B.....	83
MV350s-W.....	83
MW1.01-500.....	28
MW1.01-625.....	28
MW1.02-500.....	28
MW1.02-625.....	28
MW1.03-500.....	28
MW1.03-625.....	28
MW1.04-500.....	28
MW1.04-625.....	28
MW1.09-500.....	28
MW1.09-625.....	28
MW1.10-500.....	28
MW1.10-625.....	28
MW1.12-500.....	28
MW1.12-625.....	28
MW1.14-500.....	28
MW1.14-625.....	28
MW1.16-500.....	28
MW1.16-625.....	28
MW1.20-500.....	28
MW1.20-625.....	28
OSS4013.....	162
P19L.....	68
P19R.....	68
P1012.....	82
P-1501.....	81
P-1502.....	81
PB-3007IL.....	199
PB-3007IR.....	199
PB-3008GL.....	199
PB-3008GR.....	199
PC-4016.....	180
PED2016.....	127
PED2017.....	127
PED2018.....	128
PED2019.....	128
PED2020.....	128
PED2025L.....	128
PED2025R.....	128
PED-2039.....	129
PED-2040L.....	130
PED-2040R.....	130
PED-2041-PC.....	129
PED-2041-RC.....	129
PED-2042.....	130
PED-2043.....	131
PED-2044-PC.....	131
PED-2044-RC.....	131
PED-2045.....	132
PR0503.....	221
PRD13.....	119
PRD19S.....	65
PRD19S-6000.....	65
PRD40.....	45
PRD41.....	46
PRD42.....	44
PRD43.....	44
PRD44.....	43
PRD45.....	43
PRD46.....	47
PRD48.....	48
PRD50.....	46
PRD51.....	46
PRD52.....	45
PRD53.....	45
PRD54.....	43
PRD55.....	44

Article..... page

PRD56.....	47
PRD70.....	108
PRD71.....	107
PRD71.....	107
PRD91.....	47
PRG01.....	141
PRG01LFL.....	141
PRG01LFR.....	141
PRG01LL.....	141
PRG01LR.....	141
PRG02H.....	140
PRG02LL.....	140
PRG02LR.....	140
PRG02NL.....	138
PRG02NR.....	138
PRG02SL.....	139
PRG02SR.....	139
PRG03.....	145
PRG04.....	144
PRG04S.....	144
PRG05S.....	142
PRG06.....	169
PRG07.....	151
PRG07N.....	150
PRG07NS.....	150
PRG09.....	169
PRG-11.....	63
PRG-12.....	118
PRG-13.....	118
PRG-14.....	62
PRG-15.....	62
PRG-16.....	120
PRG-17.....	120
PRG-19.....	67
PRG-20.....	67
PRG32LL.....	140
PRG32LR.....	140
PRG32NL.....	138
PRG32NR.....	138
PRG-33-5700.....	151
PRG110-8020.....	68
R-130-11-G.....	60
R-130-11-GG.....	60
R-130-11-SS.....	60
R-130-12-G.....	60
R-130-12-SS.....	60
R-130-12-SS-P.....	60
R-205-12-G.....	61
R-205-12-GG.....	61
R-205-12-SS.....	61
R-205-12-SS-P.....	61
RBG100L.....	54
RBG100L-SS.....	54
RBG100R.....	54
RBG100R-SS.....	54
RBG-150TNL.....	54
RBG-150TNR.....	54
RBG900L.....	50
RBG900L-SS.....	50
RBG900R.....	50
RBG900R-SS.....	50
RBG-900TNL.....	51
RBG-900TNR.....	51
RBI-45.100L.....	56
RBI-45.100R.....	56
RBI-45.110DL.....	55
RBI-45.110DR.....	55
RBI-45.120DL.....	56
RBI-45.120DR.....	56

Article..... page

RBI-45.127.....	50
RBI123.....	52
RBI446L.....	55
RBI446ML.....	56
RBI446MR.....	56
RBI446R.....	55
RBP-700L-SS.....	52
RBP-700R-SS.....	52
RC0505.....	222
RE101FL-5.....	147
RE101FL-10.....	147
RE101FL-15.....	147
RE101FL-20.....	147
RE101FL-25.....	147
RE101FL-30.....	147
RE101FL-35.....	147
RE101FL-40.....	147
RE101FL-45.....	147
RE101FR-5.....	147
RE101FR-10.....	147
RE101FR-15.....	147
RE101FR-20.....	147
RE101FR-25.....	147
RE101FR-30.....	147
RE101FR-35.....	147
RE101FR-40.....	147
RE101FR-45.....	147
RE101L.....	147
RE101R.....	147
RE701HL.....	146
RE701HR.....	146
RE801L.....	146
RE801R.....	146
RE801SL.....	146
RE801SR.....	146
RK-4500.....	73
RK-6000.....	73
RL0.01-450.....	32
RL0.01-500.....	32
RL0.05-450.....	32
RL0.05-500.....	32
RL0.06-450.....	32
RL0.06-500.....	32
RL0.07-450.....	32
RL0.07-500.....	32
RL0.14-450.....	32
RL0.14-500.....	32
RL0.16-450.....	32
RL0.16-500.....	32
RL0.24-450.....	32
RL0.24-500.....	32
RL1.01-450.....	32
RL1.01-500.....	32
RL1.02-450.....	32
RL1.02-500.....	32
RLG004-01P.....	74
RLG004-02P.....	74
RLI0103.....	76
RM0.01-450.....	31
RM0.01-500.....	31
RM0.05-450.....	31
RM0.05-500.....	31
RM0.06-450.....	31
RM0.06-500.....	31
RM0.07-450.....	31
RM0.07-500.....	31
RM0.16-450.....	31
RM0.16-500.....	31
RM0.24-450.....	31

Article..... page

RM0.24-500.....	31
RM1.01-450.....	31
RM1.01-500.....	31
RM1.02-450.....	31
RM1.02-500.....	31
RM0104-4500.....	73
RP112.....	57
RP113.....	57
RP121.....	58
RP122.....	58
RS0.05-500.....	30
RS0.05-625.....	30
RS0.06-500.....	30
RS0.06-625.....	30
RS0.07-500.....	30
RS0.07-625.....	30
RS1.01-500.....	29
RS1.01-625.....	29
RS1.02-500.....	29
RS1.02-625.....	29
RS1.03-500.....	29
RS1.03-625.....	29
RS1.04-500.....	29
RS1.04-625.....	29
RS1.09-500.....	29
RS1.09-625.....	29
RS1.10-500.....	29
RS1.10-625.....	29
RS1.12-500.....	29
RS1.12-625.....	29
RS1.14-500.....	29
RS1.14-625.....	29
RS1.16-500.....	29
RS1.16-625.....	29
RS1.20-500.....	29
RS1.20-625.....	29
RS0301.....	171
RSB09.....	108
RSB20.....	69
RSP16.....	39
RSP25.....	48
RST01.....	69
RSW06.....	109
S140LFL-5.....	149
S140LFL-10.....	149
S140LFL-15.....	149
S140LFL-20.....	149
S140LFL-25.....	149
S140LFL-30.....	149
S140LFL-35.....	149
S140LFL-40.....	149
S140LFL-45.....	149
S140LFR-5.....	149
S140LFR-10.....	149
S140LFR-15.....	149
S140LFR-20.....	149
S140LFR-25.....	149
S140LFR-30.....	149
S140LFR-35.....	149
S140LFR-40.....	149
S140LFR-45.....	149
S140LL.....	149
S140LR.....	149
S-160LNL.....	149
S-160LNR.....	149
S-171L.....	152
S-171R.....	152
S-172L.....	152
S-172R.....	152

Article..... page

S340NL	148
S340NR	148
S0504	222
S840NL	148
S840NR	148
S940LL	148
S940LR	148
S940SL	148
S940SR	148
SA-5/4	183
SB0100	72
SB0101S	72
SB212S	177
SB-235	170
SB-485	170
SBD-86L	192
SBD-86R	192
SBD-111L	192
SBD-111R	192
SBD-127L	192
SBD-127R	192
SBD-152L	192
SBD-152R	192
SBD-TL	192
SBD-TR	192
SBD-TSS5/4L	192
SBD-TSS5/4R	192
SCG-1	213
SCI-1	213
SCI-5/4	213
SF-51	189
SF-67	189
SF-95	189
SF-152L	190
SF-152L-5/4	190
SF-152R	190
SF-152R-5/4	190
SH221S	177
SKH-38	212
SKH-75	212
SKS-38	212
SKS-75	212
SP203S	176
SS-40.100	220
SS0206	123
SS0402	219
SS446L	220
SS446R	220
SXR 10x60 FUS	232
T-100-6000	156
TB006	168
TB007	168
TB191S-300	165
TB191S-500	165
TB191S-800	165
TB191S-1000	165
TB192S	165
TB193S-330	165
TB193S-680	165
TB193S-910	165
TB603	166
TB604	167
TB607-300	166
TB607-500	166
TB607-800	166
TB607-1000	166
TB607-1500	166
TBB-4505	200
TBG816L	208

Article..... page

TBG816R	208
TBI510ML	206
TBI510MR	206
TBI520ML	206
TBI520MR	206
TBI530ML	206
TBI530MR	206
TBI540ML	206
TBI540MR	206
TBI550ML	206
TBI550MR	206
TBI560ML	206
TBI560MR	206
TBI570ML	206
TBI570MR	206
TBI580L	206
TBI580R	206
TBI590L	206
TBI590R	206
TBI-600L	207
TBI-600R	207
TBI-610L	207
TBI-610R	207
TBI-630L	207
TBI-630R	207
TBI-640L	207
TBI-640R	207
TBI915	209
TBI922	167
TBI923	167
TBI924	168
TBI925	209
TBP-916L	210
TBP-916R	210
TBT-4503	210
TKU-1	279
TKU-2	279
TKU-3	279
TKU-4	279
TKU-5	279
TKU-6	279
TKU-7	279
TKU-8	279
TKU-9	279
TKU-11	279
TKU-13	280
TKU-21	280
TKU-22	280
TKU-23	280
TKU-24	280
TKU-25	280
TKU-26	280
TKU-27	280
TKU-28	280
TKU-29	280
TKU-30	280
TKU-31	280
TKU-32	280
TN26x25VTx2500R	179
TN26x33RDx2000R	179
TN28x25BRx1250R	179
TN28x33BRx2000R	179
TN30x25WHx1500R	179
TN30x33WHx2000R	179
TN32x25YLx1120R	179
TN32x25YLx1250R	179
TN32x33GRx1050R	179
TN34x25RDx1550R	179
TN34x33BLx1100R	179

Article..... page

TN36x33ORx850R	179
TN36x33ORx1100R	179
TN38x33PNx900R	179
TN40x33GNx1250R	179
TN42x33BKx1170R	179
TN42x33BKx1350R	179
TN45x33VTx1510R	179
TP-550	160
TSA42.5x51x1000L	185
TSA42.5x51x1000R	185
TSA45x51x1100L	185
TSA45x51x1100R	185
TSA47.5x51x1250L	185
TSA47.5x51x1250R	185
TSA50x51x1350L	185
TSA50x51x1350R	185
TSA52.5x51x1300L	185
TSA52.5x51x1300R	185
TSA55x51x1400L	185
TSA55x51x1400R	185
TSA55x67x1200L	186
TSA55x67x1200R	186
TSA57.5x51x1600L	185
TSA57.5x51x1600R	185
TSA57.5x67x1400L	186
TSA57.5x67x1400R	186
TSA60x51x1700L	185
TSA60x51x1700R	185
TSA60x67x1500L	186
TSA60x67x1500R	186
TSA62.5x51x1800L	185
TSA62.5x51x1800R	185
TSA62.5x67x1700L	186
TSA62.5x67x1700R	186
TSA65x51x1900L	185
TSA65x51x1900R	185
TSA65x67x1700L	186
TSA65x67x1700R	186
TSA65x95x1400L	187
TSA65x95x1400R	187
TSA70x51x1400L	185
TSA70x51x1400R	185
TSA70x51x2000L	185
TSA70x51x2000R	185
TSA70x67x1900L	186
TSA70x67x1900R	186
TSA70x95x1150L	187
TSA70x95x1150R	187
TSA70x95x1650L	187
TSA70x95x1650R	187
TSA75x67x2200L	186
TSA75x67x2200R	186
TSA75x95x1300L	187
TSA75x95x1300R	187
TSA75x95x1750L	187
TSA75x95x1750R	187
TSA75x152x1300L	188
TSA75x152x1300R	188
TSA80x95x1500L	187
TSA80x95x1500R	187
TSA80x95x2100L	187
TSA80x95x2100R	187
TSA80x152x1500L	188
TSA80x152x1500R	188
TSA85x95x1250L	187
TSA85x95x1250R	187
TSA85x95x1600L	187
TSA85x95x1600R	187
TSA85x152x1250L	188

Article..... page

TSA85×152×1250R.....	188
TSA85×152×1750L.....	188
TSA85×152×1750R.....	188
TSA90×95×1400L.....	187
TSA90×95×1400R.....	187
TSA90×95×1500L.....	187
TSA90×95×1500R.....	187
TSA90×152×2100L.....	188
TSA90×152×2100R.....	188
TSA95×95×1600L.....	187
TSA95×95×1600R.....	187
TSA95×152×1300L.....	188
TSA95×152×1300R.....	188
TSA95×152×2250L.....	188
TSA95×152×2250R.....	188
TSA100×152×1400L.....	188
TSA100×152×1400R.....	188
TSA100×152×2450L.....	188
TSA100×152×2450R.....	188
TSA105×152×1400L.....	188
TSA105×152×1400R.....	188
TSA105×152×1800L.....	188
TSA105×152×1800R.....	188
TSA110×152×1550L.....	188
TSA110×152×1550R.....	188
TSA110×152×1800L.....	188
TSA110×152×1800R.....	188
TSA115×152×1800L.....	188
TSA115×152×1800R.....	188
TSH-2750-2.....	182
TSH-3000-2.....	182
TSH-4500.....	182
TSH-4500-2.....	182
TSH-5500.....	182
TSH-5500-2.....	182
TSH-6000-2.....	182
TSS-5/4-3800.....	182
TSS-5/4-5800.....	182
TSS-5/4-6000.....	182
TSS4004.....	202
TSS4005.....	203
TSS4006.....	203
TSS4007.....	203
TSS4008.....	204
TSS4009.....	204
TSS4012.....	161
TSS4013.....	162
TSS4014.....	162
TSS-4500.....	182
TSS-5000.....	182
US230S.....	176
VG-368BK.....	83
VG-368RBK.....	83
VG-368RWH.....	83
VG-368WH.....	83
W043-BR.....	79
W043-CG.....	79
W043-TG.....	79
W043-WH.....	79
W046.....	78
W050-BR.....	80
W050-CG.....	79
W050-TG.....	79
W050-WH.....	80
W060-BR.....	80
W060-CG.....	80
W060-TG.....	80
W060-WH.....	80
W085.....	78

Article..... page

W095.....	78
WD01L-BR.....	111
WD01L-GR.....	111
WD01R-BR.....	111
WD01R-GR.....	111
WD11L-BR.....	110
WD11L-GR.....	110
WD11R-BR.....	110
WD11R-GR.....	110
WD12P.....	119
WD13PL.....	119
WD13PR.....	119
WD16PL.....	121
WD16PR.....	121
WD17PL.....	121
WD17PR.....	121
WD21L-BR.....	98
WD21L-GR.....	98
WD21R-BR.....	98
WD21R-GR.....	98
WD22L-BR.....	98
WD22L-GR.....	98
WD22R-BR.....	98
WD22R-GR.....	98
WD32L-BR.....	110
WD32L-GR.....	110
WD32R-BR.....	110
WD32R-GR.....	110
WD100.....	117
WD151L.001.....	115
WD151L.001.....	115
WD151L.101.....	106
WD151L.101.....	106
WD151L.103.....	107
WD151L.103.....	107
WD151L.201.....	95
WD151L.201.....	95
WD151L.202.....	94
WD151L.202.....	94
WD151L.203.....	96
WD151L.203.....	96
WD151L.302.....	105
WD151L.302.....	105
WD151R.001.....	115
WD151R.001.....	115
WD151R.101.....	106
WD151R.101.....	106
WD151R.103.....	107
WD151R.103.....	107
WD151R.201.....	95
WD151R.201.....	95
WD151R.202.....	94
WD151R.202.....	94
WD151R.203.....	96
WD151R.203.....	96
WD151R.302.....	105
WD151R.302.....	105
WD152L.001.....	115
WD152L.001.....	115
WD152L.101.....	106
WD152L.101.....	106
WD152L.201.....	95
WD152L.201.....	95
WD152L.202.....	94
WD152L.202.....	94
WD152L.302.....	105
WD152L.302.....	105
WD152R.001.....	115
WD152R.001.....	115

Article..... page

WD152R.101.....	106
WD152R.101.....	106
WD152R.201.....	95
WD152R.201.....	95
WD152R.202.....	94
WD152R.202.....	94
WD152R.302.....	105
WD152R.302.....	105
WD-153L.001.....	115
WD-153L.001.....	115
WD-153L.101.....	107
WD-153L.101.....	107
WD-153L.201.....	96
WD-153L.201.....	96
WD-153L.202.....	95
WD-153L.202.....	95
WD-153L.203.....	96
WD-153L.203.....	96
WD-153L.302.....	106
WD-153L.302.....	106
WD-153R.001.....	115
WD-153R.001.....	115
WD-153R.101.....	107
WD-153R.101.....	107
WD-153R.201.....	96
WD-153R.201.....	96
WD-153R.202.....	95
WD-153R.202.....	95
WD-153R.203.....	96
WD-153R.203.....	96
WD-153R.302.....	106
WD-153R.302.....	106
WD161L.001.....	115
WD161L.001.....	115
WD161L.101.....	106
WD161L.101.....	106
WD161L.201.....	95
WD161L.201.....	95
WD161L.202.....	94
WD161L.202.....	94
WD161L.302.....	105
WD161L.302.....	105
WD161R.001.....	115
WD161R.001.....	115
WD161R.101.....	106
WD161R.101.....	106
WD161R.201.....	95
WD161R.201.....	95
WD161R.202.....	94
WD161R.202.....	94
WD161R.302.....	105
WD161R.302.....	105
WD162L.001.....	115
WD162L.001.....	115
WD162L.101.....	106
WD162L.101.....	106
WD162L.201.....	95
WD162L.201.....	95
WD162L.202.....	94
WD162L.202.....	94
WD162L.302.....	105
WD162L.302.....	105
WD162R.001.....	115
WD162R.001.....	115
WD162R.101.....	106
WD162R.101.....	106
WD162R.201.....	95
WD162R.201.....	95
WD162R.202.....	94
WD162R.202.....	94

Article..... page

WD162R.202	94
WD162R.302	105
WD162R.302	105
WD-163L.001	115
WD-163L.001	115
WD-163L.101	107
WD-163L.101	107
WD-163L.201	96
WD-163L.201	96
WD-163L.202	95
WD-163L.202	95
WD-163L.302	106
WD-163L.302	106
WD-163R.001	115
WD-163R.001	115
WD-163R.101	107
WD-163R.101	107
WD-163R.201	96
WD-163R.201	96
WD-163R.202	95
WD-163R.202	95
WD-163R.302	106
WD-163R.302	106
WD0210	124
WD250L.101	105
WD250L.101	105
WD250L.201	94
WD250L.201	94
WD250L.202	92
WD250L.202	92
WD250L.202KfV	92
WD250L.202KfV	92
WD250L.202KfV-01	93
WD250L.202KfV-01	93
WD250L.302	103
WD250L.302	103
WD250L.302KfV	103
WD250L.302KfV	103
WD250LA.202	93
WD250LA.202	93
WD250LA.302	104
WD250LA.302	104
WD250R.001	114
WD250R.001	114
WD250R.101	105
WD250R.101	105
WD250R.201	94
WD250R.201	94
WD250R.202	92
WD250R.202	92
WD250R.202KfV	92
WD250R.202KfV	92
WD250R.202KfV-01	93
WD250R.202KfV-01	93
WD250R.302	103
WD250R.302	103
WD250R.302KfV	103
WD250R.302KfV	103
WD250RA.202	93
WD250RA.202	93
WD250RA.302	104
WD250RA.302	104
WD260L.101	105

Article..... page

WD260L.101	105
WD260L.201	94
WD260L.201	94
WD260L.202	92
WD260L.202	92
WD260L.202KfV	92
WD260L.202KfV	92
WD260L.202KfV-01	93
WD260L.202KfV-01	93
WD260L.302	103
WD260L.302	103
WD260L.302KfV	103
WD260L.302KfV	103
WD260LA.202	93
WD260LA.202	93
WD260LA.302	104
WD260LA.302	104
WD260R.001	114
WD260R.001	114
WD260R.101	105
WD260R.101	105
WD260R.201	94
WD260R.201	94
WD260R.202	92
WD260R.202	92
WD260R.202KfV	92
WD260R.202KfV	92
WD260R.202KfV-01	93
WD260R.202KfV-01	93
WD260R.302	103
WD260R.302	103
WD260R.302KfV	103
WD260R.302KfV	103
WD260RA.202	93
WD260RA.202	93
WD260RA.302	104
WD260RA.302	104
WD350L.202	92
WD350L.202	92
WD350L.302	103
WD350L.302	103
WD350R.202	92
WD350R.202	92
WD350R.302	103
WD350R.302	103
WD360L.202	92
WD360L.202	92
WD360L.302	103
WD360L.302	103
WD360R.202	92
WD360R.202	92
WD360R.302	103
WD360R.302	103
WD403L.001	114
WD403L.001	114
WD403L.101	102
WD403L.101	102
WD403L.103	102
WD403L.103	102
WD403L.201	91
WD403L.201	91
WD403L.202	91
WD403L.202	91

Article..... page

WD403L.203	91
WD403L.203	91
WD403L.302	102
WD403L.302	102
WD403R.001	114
WD403R.001	114
WD403R.101	102
WD403R.101	102
WD403R.103	102
WD403R.103	102
WD403R.108	123
WD403R.108	123
WD403R.201	91
WD403R.201	91
WD403R.202	91
WD403R.202	91
WD403R.203	91
WD403R.203	91
WD403R.302	102
WD403R.302	102
WD404L.001	114
WD404L.001	114
WD404L.101	102
WD404L.101	102
WD404L.201	91
WD404L.201	91
WD404L.202	91
WD404L.202	91
WD404L.302	102
WD404L.302	102
WD404R.001	114
WD404R.001	114
WD404R.101	102
WD404R.101	102
WD404R.201	91
WD404R.201	91
WD404R.202	91
WD404R.202	91
WD404R.302	102
WD404R.302	102
WD2011	99
WD2013N	113
WD2014	113
WD2028	112
WD2031	99
WD2033	108
WD2034L-BK	108
WD2034L-BR	108
WD2034L-BR	108
WD2034L-GR	108
WD2034R-BK	108
WD2034R-BR	108
WD2034R-BR	108
WD2034R-GR	108
WH013	116
WL32	111
WL0202-PC	126
WL0202-RC	126
WL2021-BK	125
WL2021-BR	125
WL2021-SL	125
WL2021-SL	125
WL2022-BK	125
WL2022-BR	125
WL2022-SL	125

1

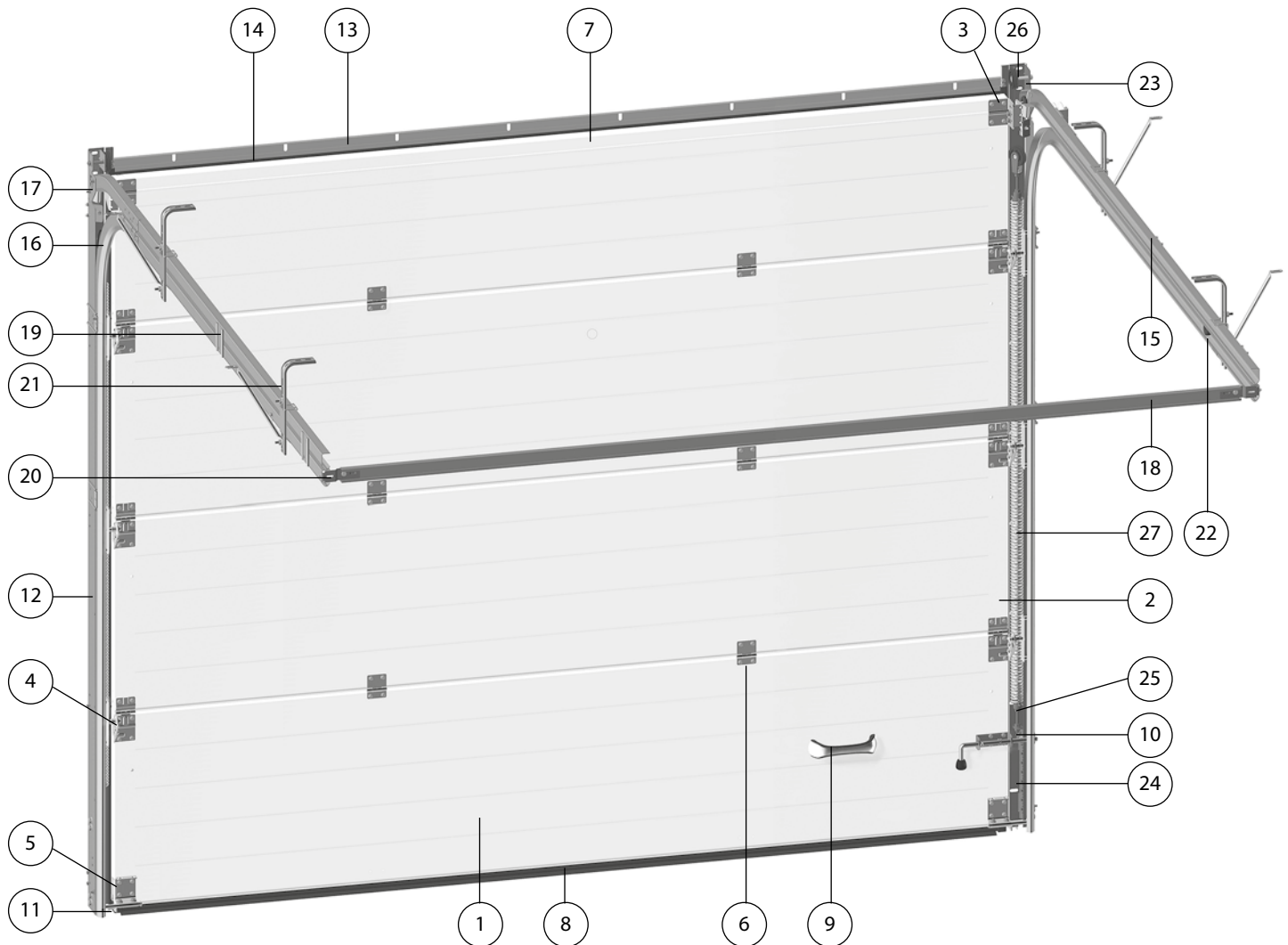
Sectional door series Prestige and ProPlus

1.1	Sectional door design	13
1.2	Door leaf	23
1.3	Inbuilt wicket	87
1.4	Track and hanger systems	133
1.5	Balancing system	171

1.1

Sectional door design

PRESTIGE SERIES GARAGE DOORS WITH TENSION SPRINGS

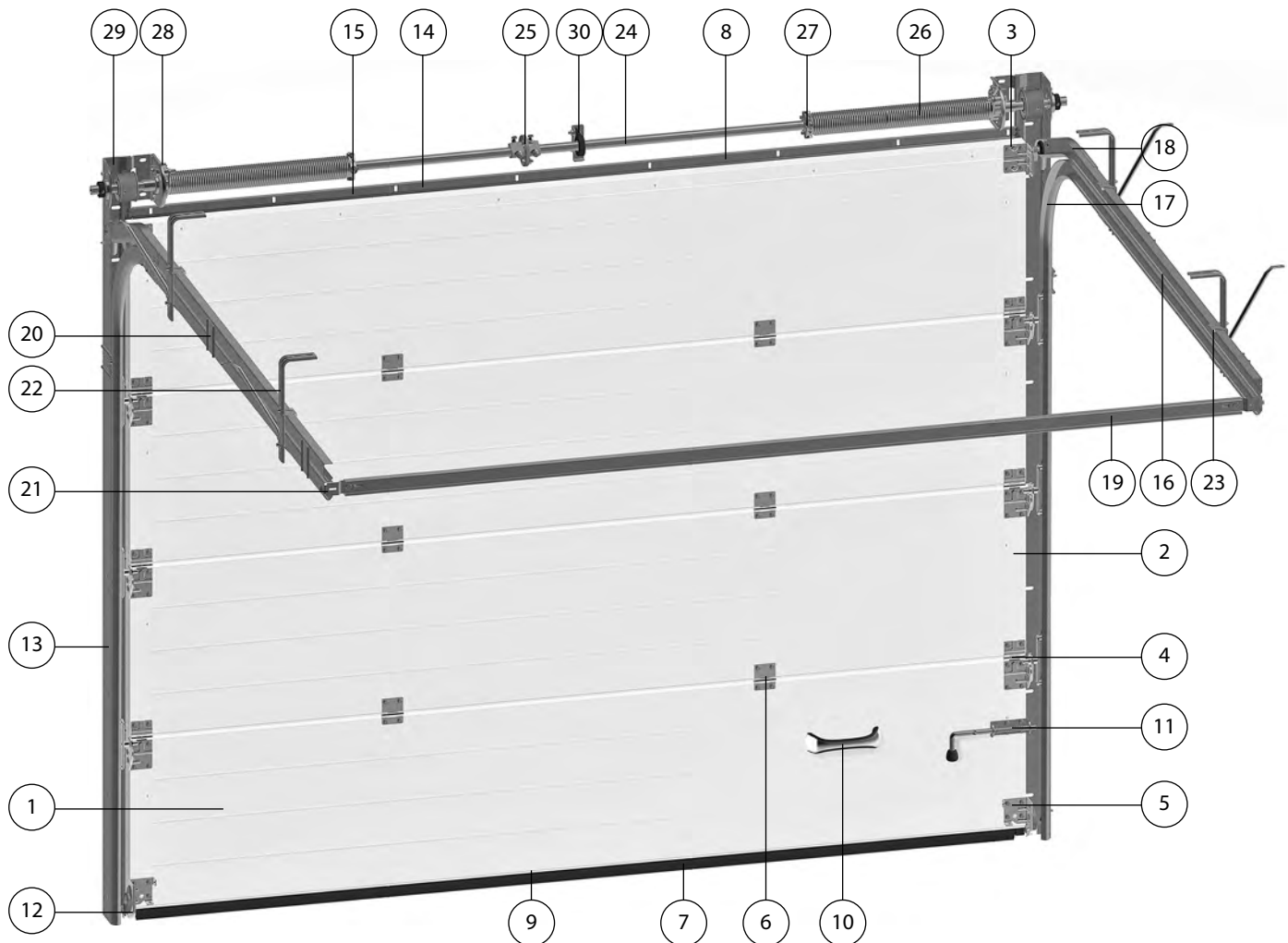


No.	Item	No.	Item	No.	Item
Door leaf		Track and hanger systems		Balancing system	
1	Sandwich panel	12	Angle profile	23	Upper set
2	Side cap	13	Horizontal profile (cover strip)	24	Spring plate
3	Top bracket	14	Sealing insert	25	Spring holder
4	Side bracket	15	Track profile	26	Bracket
5	Bottom bracket	16	Radius element	27	Inner and outer spring
6	Intermediate hinge	17	Horizontal track set		
7	Top end profile	18	C-profile		
8	Bottom sealing insert	19	Connecting plates		
9	Handle	20	Bracket		
10	Locking bar	21	Telescopic hanger		
11	Bottom stopper	22	Rubber stopper		

ALUTECH sectional doors comply with European safety standards EN 12604 and EN 12453.

PRESTIGE SERIES GARAGE DOORS WITH TORSION SPRINGS

STANDARD MOUNTING

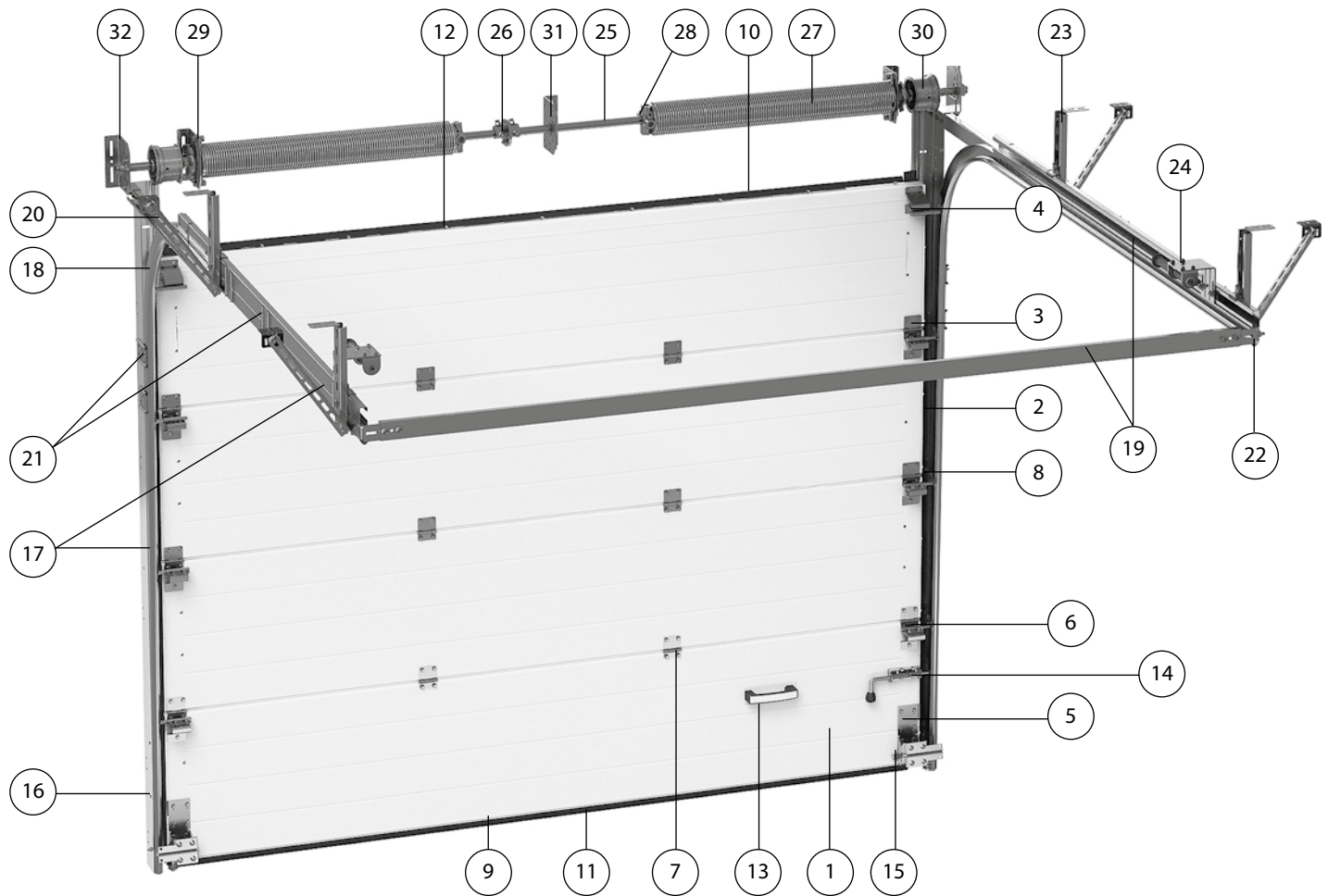


No.	Item	No.	Item	No.	Item
Door leaf		Track and hanger systems		Torsion shaft	
1	Sandwich panel	13	Angle profile	24	Shaft
2	Side cap	14	Horizontal profile (cover strip)	25	Connecting coupler
3	Top bracket	15	Sealing insert	26	Spring
4	Side bracket	16	Track profile	27	Spring cap
5	Bottom bracket	17	Radius element	28	Spring break device
6	Intermediate hinge	18	Horizontal track set	29	Cable drum
7	Bottom end profile	19	C-profile	30	Intermediate bracket
8	Top end profile	20	Connecting plates		
9	Bottom sealing insert	21	Bracket		
10	Handle	22	Telescopic hanger		
11	Locking bar	23	Rubber stopper		
12	Bottom stopper				

ALUTECH sectional doors comply with European safety standards EN 12604 and EN 12453.

PROPLUS SERIES INDUSTRIAL DOORS

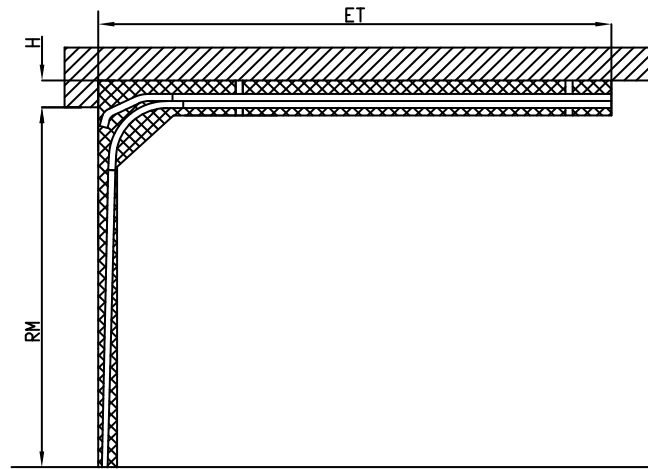
STANDARD MOUNTING



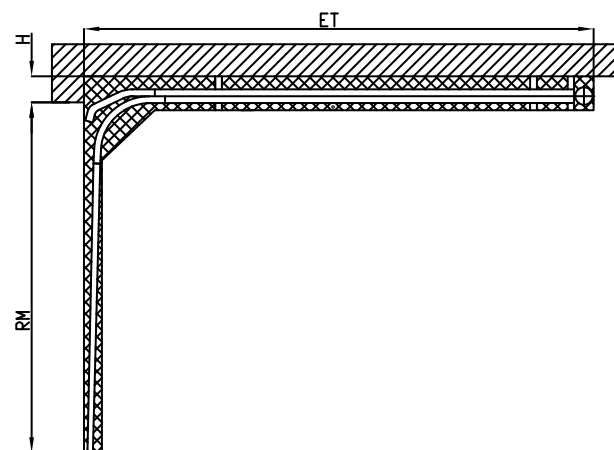
No.	Item	No.	Item	No.	Item
Door leaf		Track and hanger systems		Torsion shaft	
1	Sandwich panel	16	Angle profile	25	Shaft
2	Side cap	17	Track profile	26	Connecting coupler
3	Side bracket	18	Radius element	27	Spring
4	Top bracket	19	C-profile	28	Spring cap
5	Bottom bracket	20	Horizontal track set	29	Spring break device
6	Roller plate	21	Connecting plates	30	Cable drum
7	Intermediate hinge	22	Bracket	31	Intermediate bracket
8	Roller	23	Telescopic hanger	32	Side bracket
9	Bottom end profile	24	Damper		
10	Top end profile				
11	Bottom sealing insert				
12	Top sealing insert				
13	Handle				
14	Locking bar				
15	Bottom stopper				

ALUTECH sectional doors comply with European safety standards EN 12604 and EN 12453.

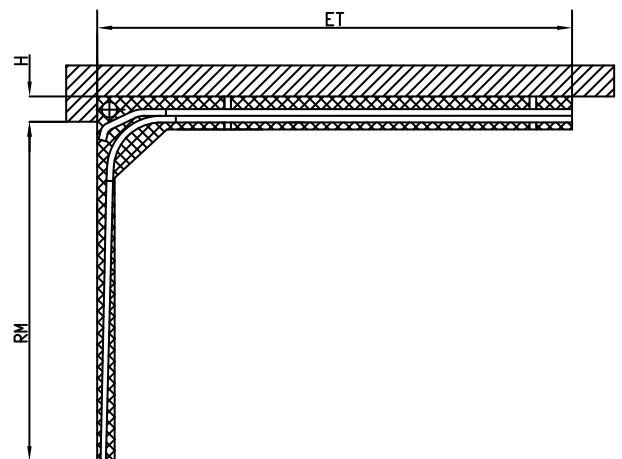
MOUNTING SCHEME FOR PRESTIGE SERIES SECTIONAL GARAGE DOORS WITH TENSION SPRINGS



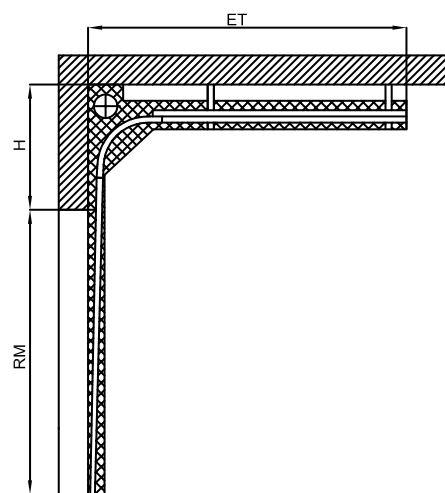
MOUNTING TYPES OF PRESTIGE SERIES SECTIONAL GARAGE DOORS WITH TORSION SHAFT



Low mounting type



Standard mounting type



High mounting type

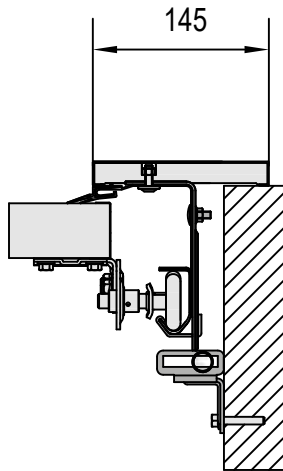
H — headroom height, mm

RM — opening height, mm

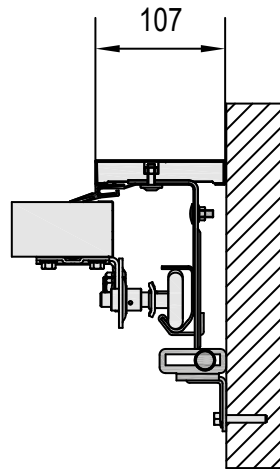
ET — depth of door entrance into the premises, mm

Mounting type	Minimum headroom height (H), mm
Low	100
Standard	210
High with top shaft positioning	500
Tension springs	100

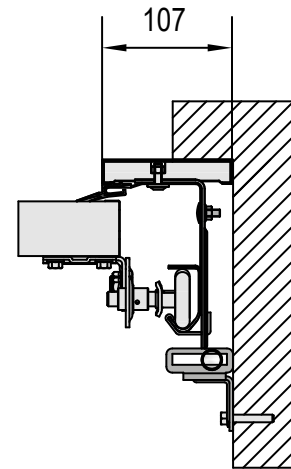
REVEAL FIT OF GARAGE DOORS WITH TENSION SPRINGS AND GARAGE DOORS OF LOW MOUNTING TYPE



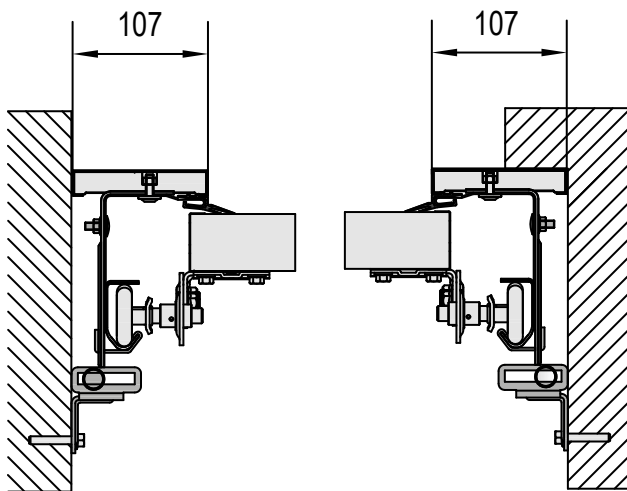
Mounting in front of the opening
Kit FWO145



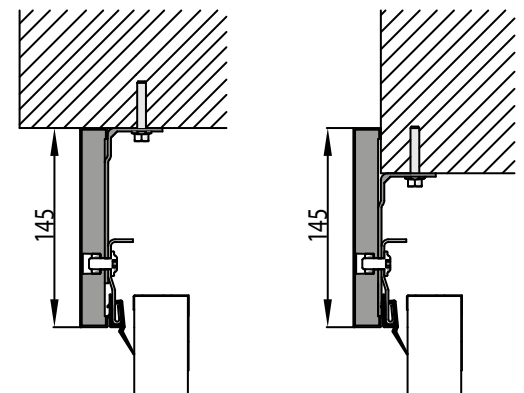
Mounting in between the opening
Kit FWO100



Mounting behind of the opening
Kit FWO100



Combined mounting
Kit FWO145/100



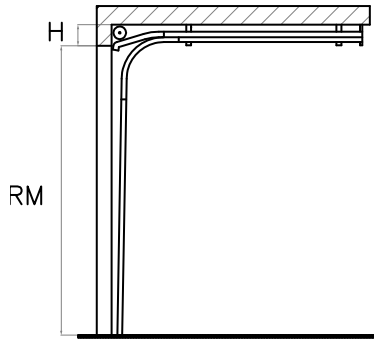
Installation of the decorative cover strip

Dimensions of sideroom and headroom:

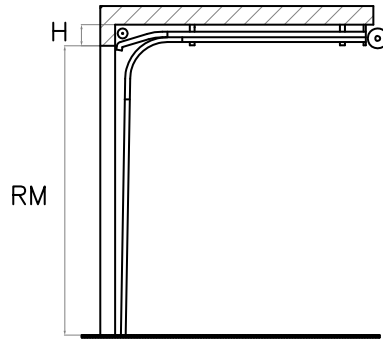
Sideroom	0–125 mm
Headroom	0–145 mm

MOUNTING TYPES OF PROPLUS SERIES INDUSTRIAL SECTIONAL DOORS

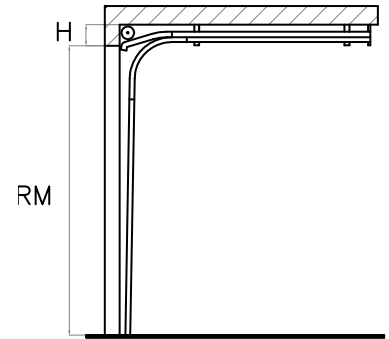
SINGLE-SHAFT DOOR LEAF BALANCING SYSTEM



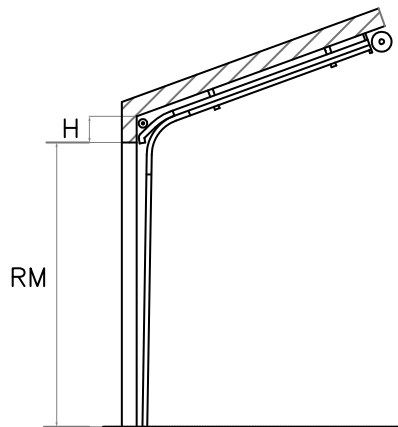
Standard mounting type



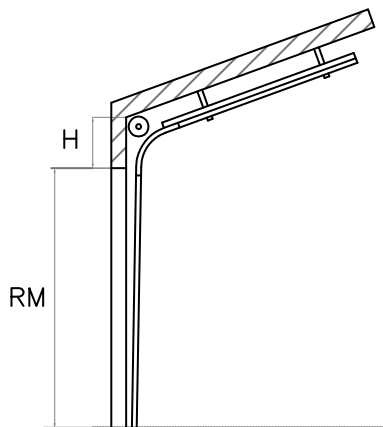
Low mounting type



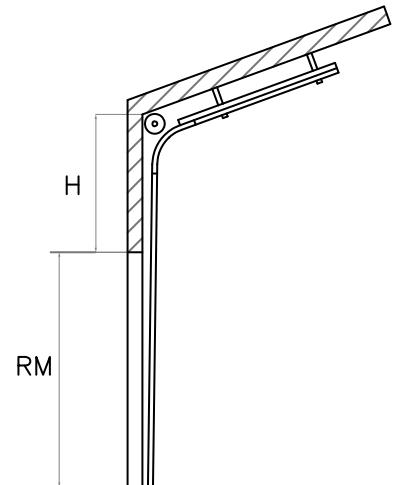
**Low mounting type
with front shaft positioning**



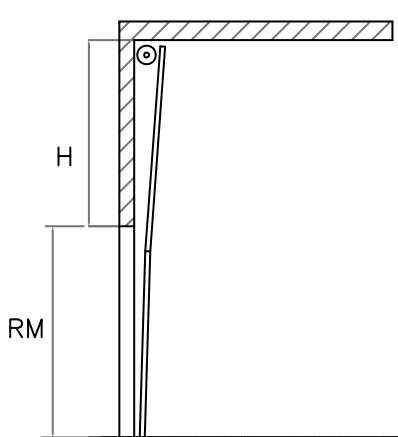
Inclined low mounting type



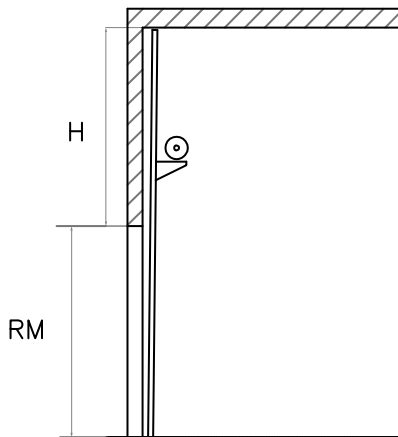
Inclined mounting type



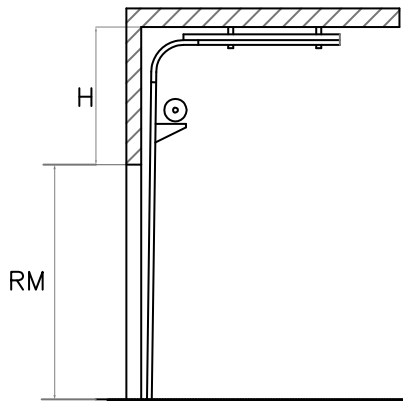
**Inclined high mounting type
with top shaft positioning**



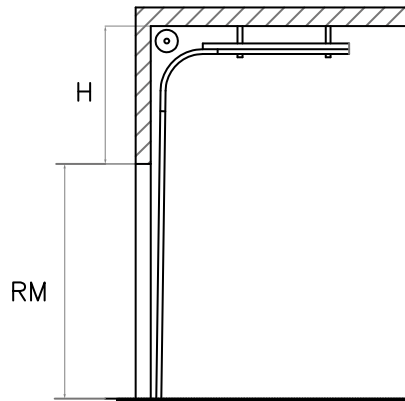
**Vertical mounting type
with top shaft positioning**



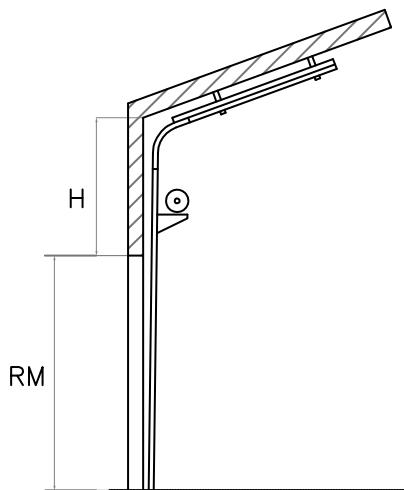
**Vertical mounting type
with bottom shaft positioning**



**High mounting type
with bottom shaft positioning**



**High mounting type
with top shaft positioning**



**Inclined high mounting type
with bottom shaft positioning**

H — headroom height, mm

RM — opening height, mm

Mounting type	Minimum headroom height (H), mm
Low	230
Standard	410
High with top shaft positioning	900
High with bottom shaft positioning	1795
Vertical with top shaft positioning	RM + 340
Vertical with bottom shaft positioning	RM + 340
Inclined	490
Inclined high with top shaft positioning	900
Inclined high with bottom shaft positioning	1795
Inclined low	275
Low with front shaft positioning	250

1.1

1.2

1.3

1.4

1.5

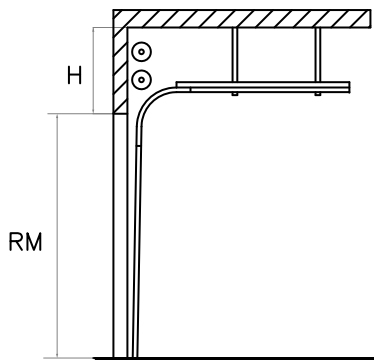
2

3

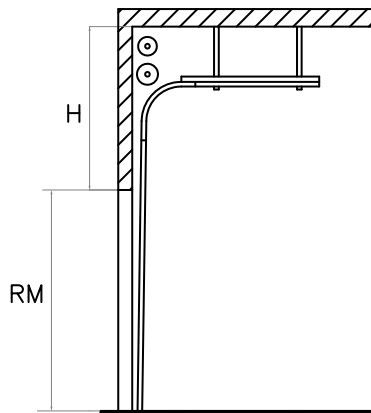
4

MOUNTING TYPES OF PROPLUS SERIES INDUSTRIAL SECTIONAL DOORS WITH TORSION SHAFT

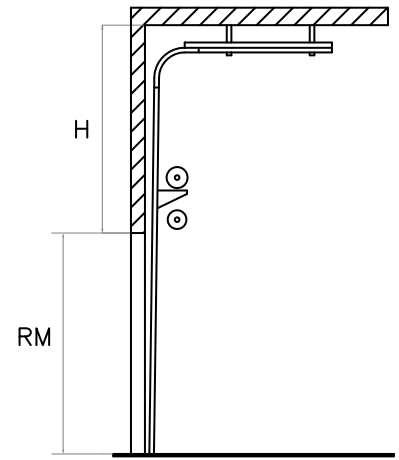
DOUBLE-SHAFT DOOR LEAF BALANCING SYSTEM



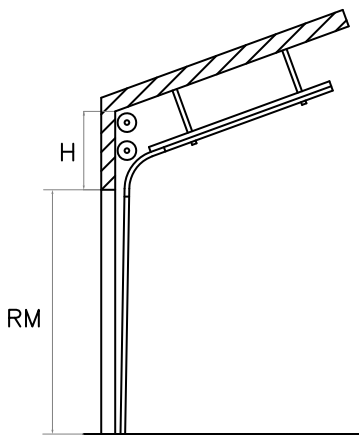
Standard mounting type



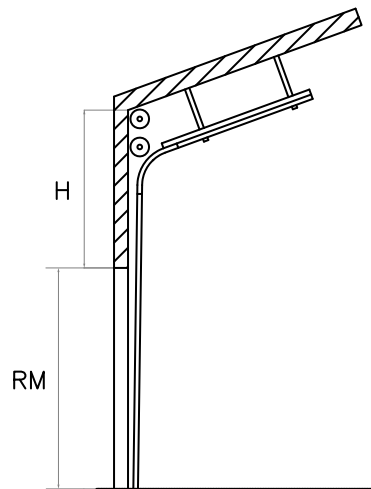
High mounting type with top shaft positioning



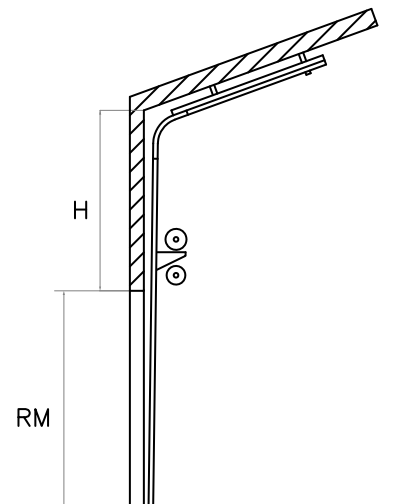
High mounting type with bottom shaft positioning



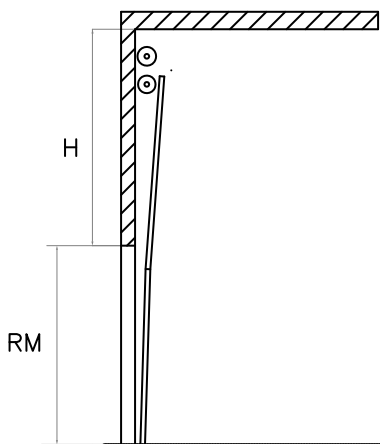
Inclined mounting type



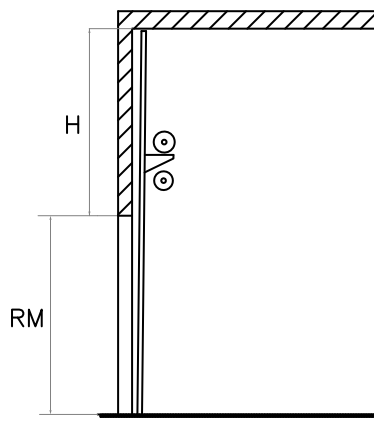
Inclined high mounting type with top shaft positioning



Inclined high mounting type with bottom shaft positioning



Vertical mounting type with top shaft positioning



Vertical mounting type with bottom shaft positioning

H — headroom height, mm

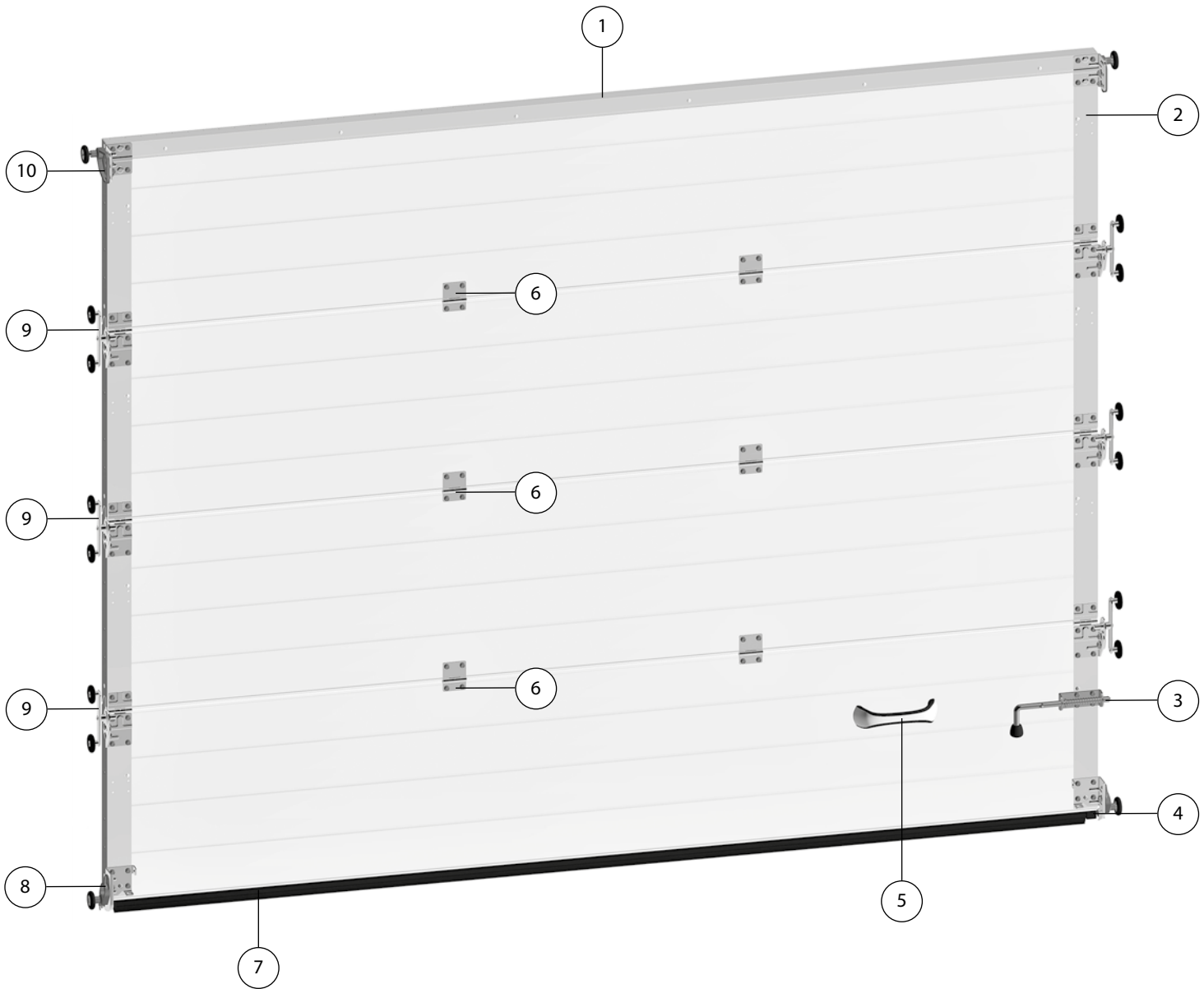
RM — opening height, mm

Mounting type	Minimum headroom height (H), mm
Standard	840
High with top shaft positioning	1275
High with bottom shaft positioning	2100
Inclined	920
Inclined high with top shaft positioning	1275
Inclined high with bottom shaft positioning	2100
Vertical with top shaft positioning	RM+590
Vertical with bottom shaft positioning	RM+340

1.2

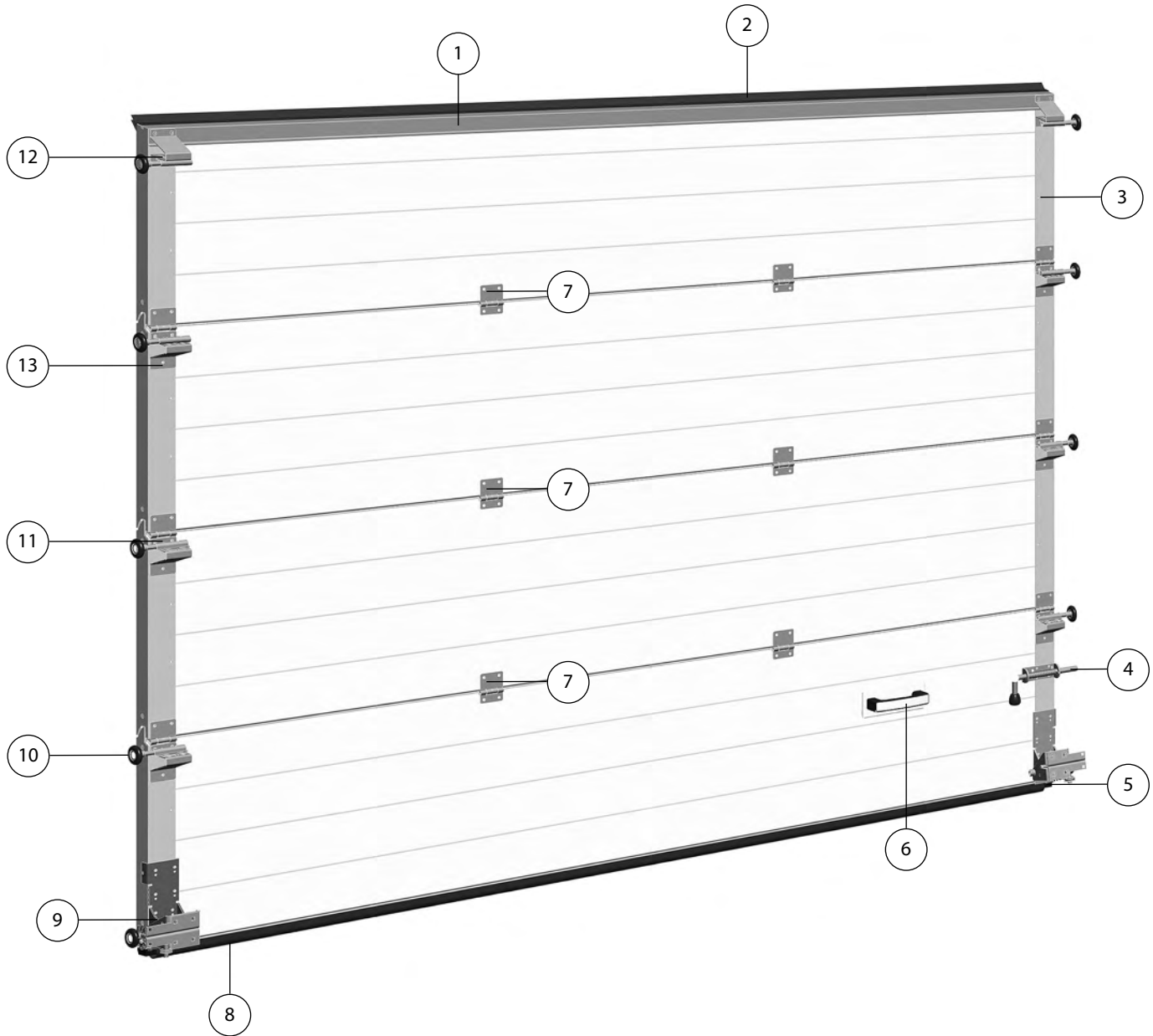
Door leaf

STANDARD DOOR LEAF DESIGN OF PRESTIGE SERIES GARAGE DOORS



No.	Item	No.	Item
1	Top end profile	6	Intermediate hinge
2	Side cap	7	Bottom sealing insert
3	Locking bar	8	Bottom bracket
4	Bottom stopper	9	Side bracket
5	Handle	10	Top bracket

STANDARD DOOR LEAF DESIGN OF PROPLUS SERIES INDUSTRIAL DOORS



No.	Item
1	Top end profile
2	Top sealing insert
3	Side cap
4	Locking bar
5	Bottom stopper

No.	Item
6	Handle
7	Intermediate hinge
8	Bottom sealing insert
9	Bottom bracket

No.	Item
10	Roller
11	Roller plate
12	Top bracket
13	Side bracket

DESIGN OF THE 45 MM THICK SANDWICH PANEL WITH PROTECTION AGAINST FINGER TRAPPING



Polyurethane coating 20–25 microns
Primer 14–16 microns
Zinc 16 microns
Steel: <ul style="list-style-type: none"> • 0.4 mm for panels with Woodgrain; • 0.5 mm for Smooth panels
Zinc 16 microns
Adhesion lacquer 12 microns
Foamed polyurethane

1.1

1.2

1.3

1.4

1.5

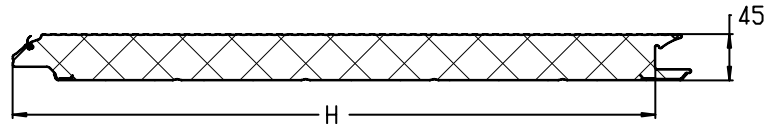
2

3

4

MICROWAVE SANDWICH PANELS

WOODGRAIN SURFACE



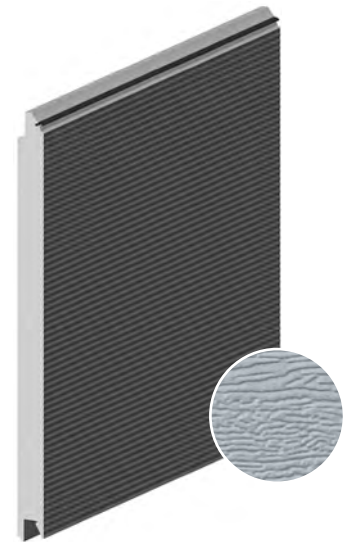
Door panel

Front side: Woodgrain surface with Microwave pattern.

Inner side: Woodgrain surface with horizontal stripes, grey-white colour close to RAL 9002.

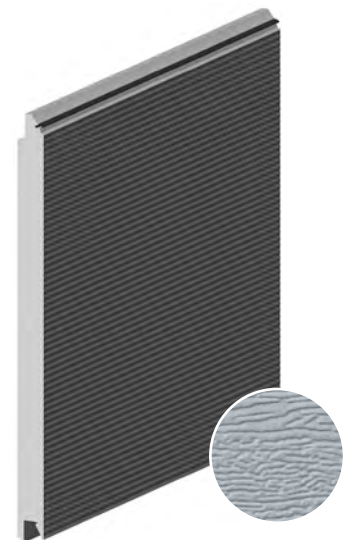
Panel height, mm	500
Panel thickness, mm	45
Weight, kg/m	5.31
Measure unit	m

Article	Code	Colour*	Length, m	Supply rate, m
MW1.01-500	401040012	RAL 9016	12.2	268.4
MW1.02-500	401040017	RAL 8014	12.2	268.4
MW1.03-500	401040011	RAL 9006	12.2	268.4
MW1.04-500	401040014	RAL 5010	12.2	268.4
MW1.12-500	401040113	RAL 3004	9.2	202.4
MW1.09-500	401040021	RAL 6005	9.2	202.4
MW1.10-500	401040020	RAL 1015	9.2	202.4
MW1.14-500	401040028	ADS703	9.2	202.4
MW1.16-500	401040029	RAL 7016	9.2	202.4
MW1.20-500	401041519	RAL 8017	9.2	202.4



Panel height, mm	625
Panel thickness, mm	45
Weight, kg/m	6.38
Measure unit	m

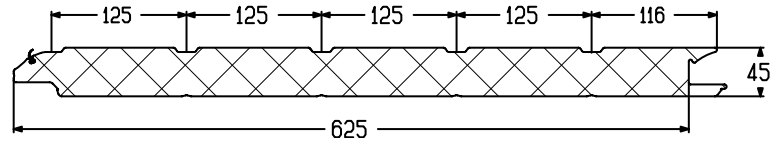
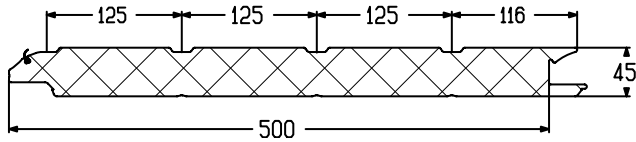
Article	Code	Colour*	Length, m	Supply rate, m
MW1.01-625	401090012	RAL 9016	12.2	268.4
MW1.02-625	401090017	RAL 8014	12.2	268.4
MW1.03-625	401090011	RAL 9006	12.2	268.4
MW1.04-625	401090014	RAL 5010	12.2	268.4
MW1.12-625	401090113	RAL 3004	9.2	202.4
MW1.09-625	401000321	RAL 6005	9.2	202.4
MW1.10-625	401000320	RAL 1015	9.2	202.4
MW1.14-625	401090028	ADS703	9.2	202.4
MW1.16-625	401090229	RAL 7016	9.2	202.4
MW1.20-625	401091219	RAL 8017	9.2	202.4



* Colours closely correspond to the RAL scale.

S-RIBBED SANDWICH PANELS

WOODGRAIN SURFACE



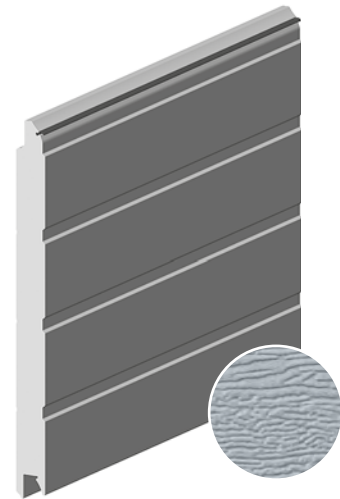
Door panel

Front side: Woodgrain surface with S-ribbed pattern (small rib).

Inner side: Woodgrain surface with horizontal stripes, grey-white colour close to RAL 9002.

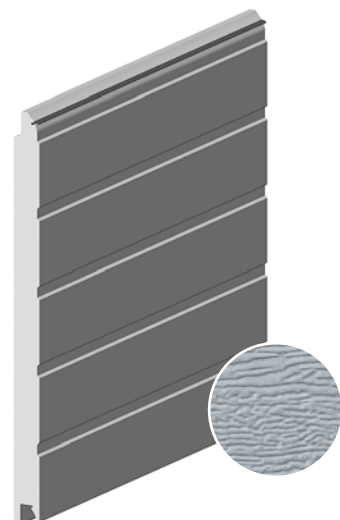
Panel height, mm	500
Panel thickness, mm	45
Weight, kg/m	5.37
Measure unit	m

Article	Code	Colour*	Length, m	Supply rate, m
RS1.01-500	401040112	RAL 9016	12.2	268.4
RS1.02-500	401040117	RAL 8014	12.2	268.4
RS1.03-500	401040111	RAL 9006	12.2	268.4
RS1.04-500	401040114	RAL 5010	12.2	268.4
RS1.12-500	401040213	RAL 3004	9.2	202.4
RS1.09-500	401040121	RAL 6005	9.2	202.4
RS1.10-500	401040120	RAL 1015	9.2	202.4
RS1.14-500	401040128	ADS703	9.2	202.4
RS1.16-500	401040129	RAL 7016	9.2	202.4
RS1.20-500	401041419	RAL 8017	9.2	202.4



Panel height, mm	625
Panel thickness, mm	45
Weight, kg/m	6.43
Measure unit	m

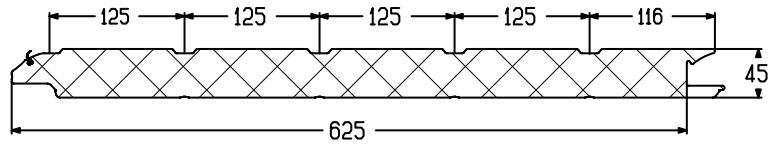
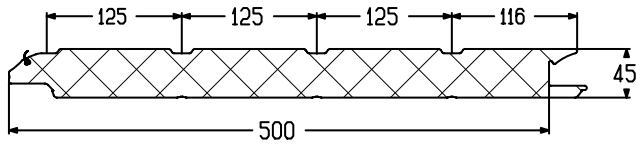
Article	Code	Colour*	Length, m	Supply rate, m
RS1.01-625	401090112	RAL 9016	12.2	268.4
RS1.02-625	401090117	RAL 8014	12.2	268.4
RS1.03-625	401090111	RAL 9006	12.2	268.4
RS1.04-625	401090114	RAL 5010	12.2	268.4
RS1.12-625	401090213	RAL 3004	9.2	202.4
RS1.09-625	401000421	RAL 6005	9.2	202.4
RS1.10-625	401000420	RAL 1015	9.2	202.4
RS1.14-625	401090128	ADS703	9.2	202.4
RS1.16-625	401090329	RAL 7016	9.2	202.4
RS1.20-625	401091119	RAL 8017	9.2	202.4



* Colours closely correspond to the RAL scale.

S-RIBBED SANDWICH PANELS

SMOOTH SURFACE



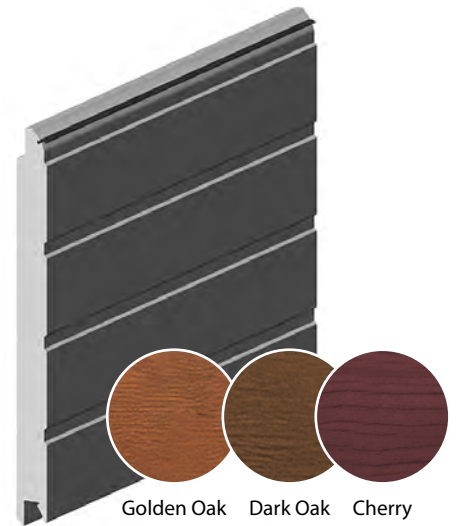
Door panel

Front side: Smooth surface with S-ribbed pattern (small rib).

Inner side: Woodgrain surface with horizontal stripes, grey-white colour close to RAL 9002.

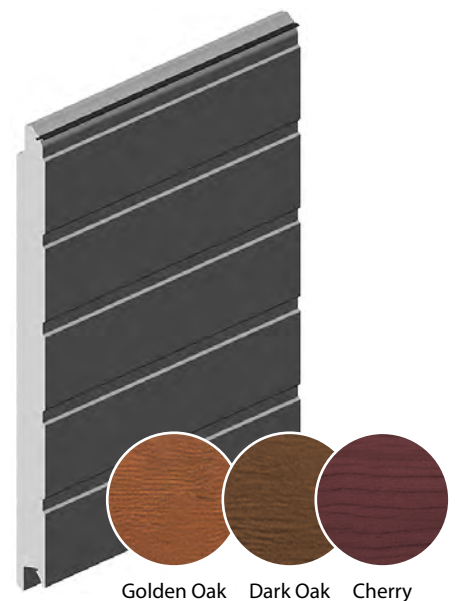
Panel height, mm	500
Panel thickness, mm	45
Weight, kg/m	5.5
Measure unit	m

Article	Code	Colour	Length, m	Supply rate, m
RS0.05-500	401040205	Golden Oak	9.2	202.4
RS0.06-500	401040206	Dark Oak	9.2	202.4
RS0.07-500	401040207	Cherry	9.2	202.4



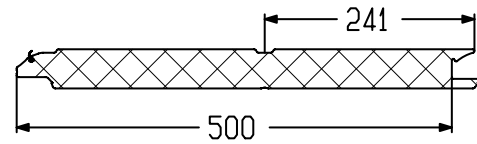
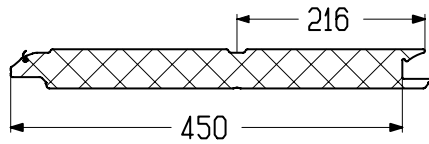
Panel height, mm	625
Panel thickness, mm	45
Weight, kg/m	6.57
Measure unit	m

Article	Code	Colour	Length, m	Supply rate, m
RS0.05-625	401090105	Golden Oak	9.2	202.4
RS0.06-625	401090106	Dark Oak	9.2	202.4
RS0.07-625	401090107	Cherry	9.2	202.4



M-RIBBED SANDWICH PANELS

WOODGRAIN SURFACE



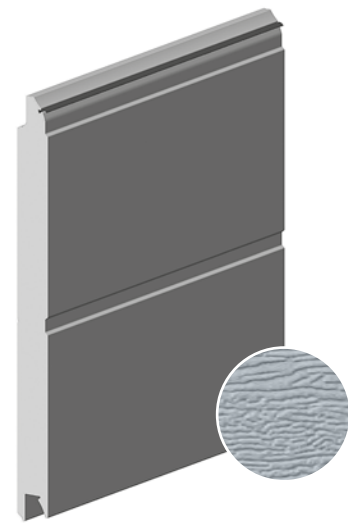
Door panel

Front side: Woodgrain surface with M-ribbed pattern (medium rib).

Inner side: Woodgrain surface with horizontal stripes, grey-white colour close to RAL 9002.

Panel thickness, mm 45
 Measure unit m

Article	Code	Colour*	Panel height, mm	Weight, kg/m	Length, m	Supply rate, m
RM1.01-450	401020612	RAL 9016	450	4.83	9.2	202.4
RM1.01-500	401020712	RAL 9016	500	5.37	9.2	202.4
RM1.02-450	401022717	RAL 8014	450	4.83	9.2	202.4
RM1.02-500	401043017	RAL 8014	500	5.37	9.2	202.4



SMOOTH SURFACE

Panel thickness, mm 45
 Measure unit m

Article	Code	Colour*	Panel height, mm	Weight, kg/m	Length, m	Supply rate, m
RM0.05-450	401020105	Golden Oak	450	4.96	9.2	202.4
RM0.05-500	401020205	Golden Oak	500	5.50	9.2	202.4
RM0.06-450	401022906	Dark Oak	450	4.96	9.2	202.4
RM0.06-500	401043106	Dark Oak	500	5.50	9.2	202.4
RM0.07-450	401020107	Cherry	450	4.96	9.2	202.4
RM0.07-500	401040307	Cherry	500	5.50	9.2	202.4
RM0.01-450	401021812	RAL 9016	450	4.96	9.2	202.4
RM0.01-500	401043112	RAL 9016	500	5.50	9.2	202.4
RM0.16-450	401020429	RAL 7016	450	4.96	9.2	202.4
RM0.16-500	401040729	RAL 7016	500	5.50	9.2	202.4
RM0.24-450	401020182	ADS704	450	5.42	9.2	202.4
RM0.24-500	401020182	ADS704	500	5.74	9.2	202.4

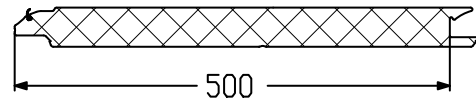
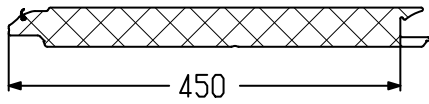


Golden Oak Dark Oak Cherry ADS704

* Colours closely correspond to the RAL scale.

L-RIBBED SANDWICH PANELS

WOODGRAIN SURFACE



Door panel

Front side: Woodgrain surface with L-ribbed pattern (large rib).

Inner side: Woodgrain surface with horizontal stripes, grey-white colour close to RAL 9002.

Panel thickness, mm 45
Measure unit m

Article	Code	Colour*	Panel height, mm	Weight, kg/m	Length, m	Supply rate, m
RL1.01-450	401040912	RAL 9016	450	4.78	9.2	202.4
RL1.01-500	401041012	RAL 9016	500	5.31	9.2	202.4
RL1.02-450	401022817	RAL 8014	450	4.78	9.2	202.4
RL1.02-500	401043117	RAL 8014	500	5.31	9.2	202.4



SMOOTH SURFACE

Panel thickness, mm 45
Measure unit m

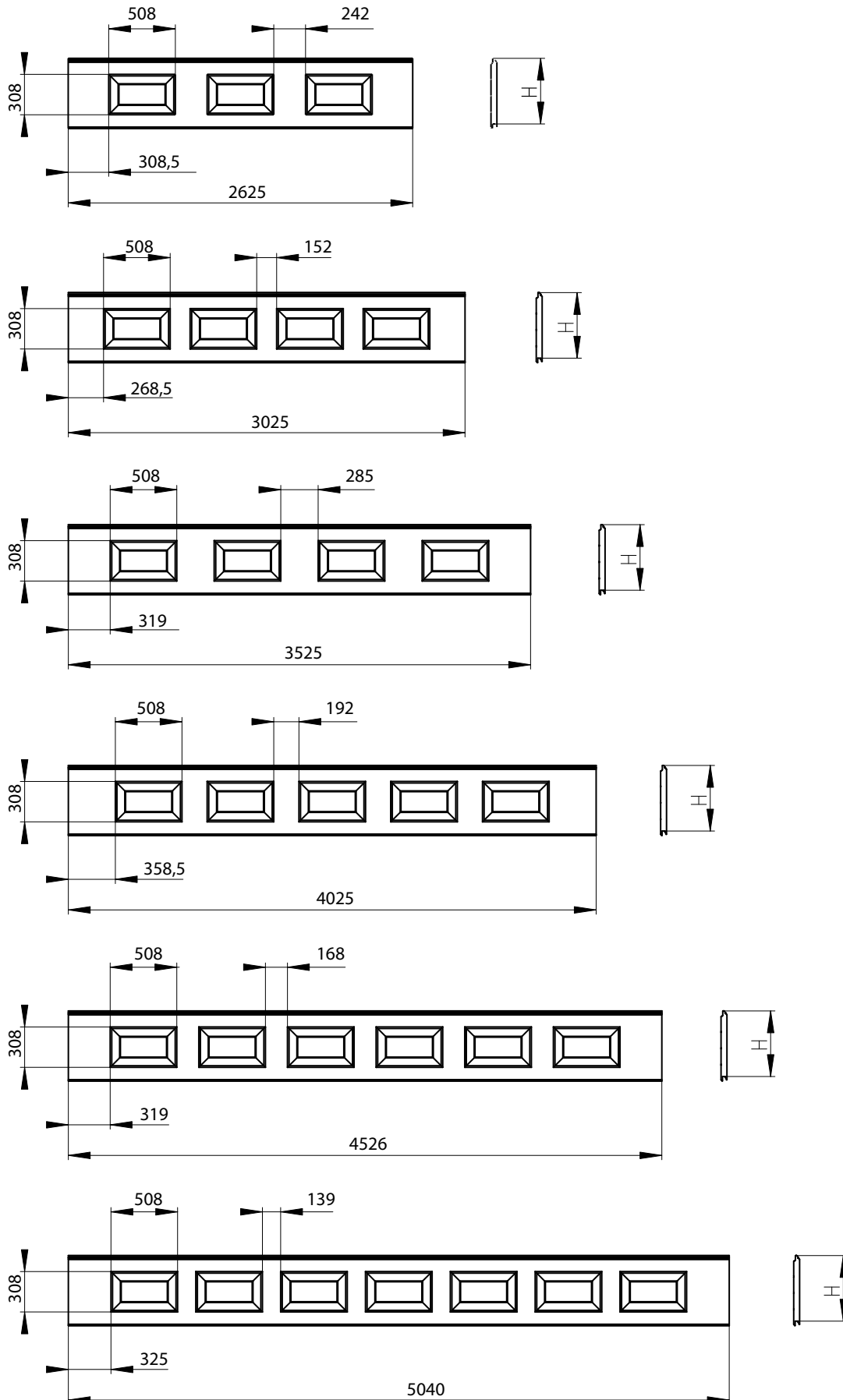
Article	Code	Colour*	Panel height, mm	Weight, kg/m	Length, m	Supply rate, m
RL0.05-450	401042105	Golden Oak	450	4.90	9.2	202.4
RL0.05-500	401042205	Golden Oak	500	5.44	9.2	202.4
RL0.14-450	401020028	ADS703	450	4.90	9.2	202.4
RL0.14-500	401040428	ADS703	500	5.44	9.2	202.4
RL0.06-450	401023006	Dark Oak	450	4.90	9.2	202.4
RL0.06-500	401043206	Dark Oak	500	5.44	9.2	202.4
RL0.07-450	401020207	Cherry	450	4.90	9.2	202.4
RL0.07-500	401040407	Cherry	500	5.44	9.2	202.4
RL0.01-450	401021912	RAL 9016	450	4.90	9.2	202.4
RL0.01-500	401043212	RAL 9016	500	5.44	9.2	202.4
RL0.16-450	401020529	RAL 7016	450	4.90	9.2	202.4
RL0.16-500	401040829	RAL 7016	500	5.44	9.2	202.4
RL0.24-450	401020282	ADS704	450	5.42	9.2	202.4
RL0.24-450	401020282	ADS704	500	5.74	9.2	202.4



* Colours closely correspond to the RAL scale.

CASSETTE SANDWICH PANEL

SCHEMATIC DESIGN



1.1

1.2

1.3

1.4

1.5

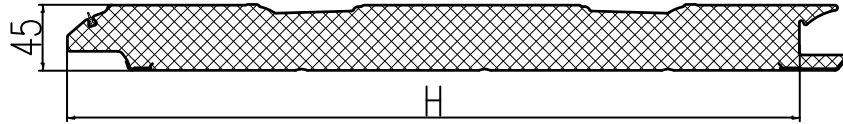
2

3

4

CASSETTE SANDWICH PANEL

WOODGRAIN SURFACE



Door panel

Front side: Woodgrain surface with Cassette pattern.

Inner side: Woodgrain surface with horizontal stripes, grey-white colour close to RAL 9002.

Panel height, mm	425
Panel thickness, mm	45
Weight, kg/m	4.68
Measure unit	m

Article	Code	Colour*	Length, m	Supply rate, m
CT1.01-425-3025	401010712	RAL 9016	3.025	66.55
CT1.01-425-3525	401010812	RAL 9016	3.525	77.55
CT1.01-425-4025	401010012	RAL 9016	4.025	88.55
CT1.01-425-4526	401010112	RAL 9016	4.525	99.55
CT1.01-425-5040	401010212	RAL 9016	5.040	110.88
CT1.01-425-2625	401010612	RAL 9016	2.625	57.75
CT1.02-425-3025	401011317	RAL 8014	3.025	66.55
CT1.02-425-3525	401011417	RAL 8014	3.525	77.55
CT1.02-425-4025	401010617	RAL 8014	4.025	88.55
CT1.02-425-4526	401010717	RAL 8014	4.526	99.55
CT1.02-425-5040	401010817	RAL 8014	5.040	110.88



Panel height, mm	450
Panel thickness, mm	45
Weight, kg/m	4.89
Measure unit	m

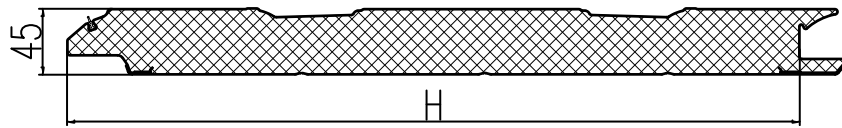
Article	Code	Colour*	Length, m	Supply rate, m
CT1.01-450-3025	401021112	RAL 9016	3.025	66.55
CT1.01-450-3525	401021212	RAL 9016	3.525	77.55
CT1.01-450-4025	401020012	RAL 9016	4.025	88.55
CT1.01-450-4526	401020112	RAL 9016	4.525	99.55
CT1.01-450-5040	401020212	RAL 9016	5.040	110.88
CT1.01-450-2625	401021012	RAL 9016	2.625	57.75
CT1.02-450-3025	401021417	RAL 8014	3.025	66.55
CT1.02-450-3525	401021517	RAL 8014	3.525	77.55
CT1.02-450-4025	401020617	RAL 8014	4.025	88.55
CT1.02-450-4526	401020717	RAL 8014	4.526	99.55
CT1.02-450-5040	401020817	RAL 8014	5.040	110.88



* Colours closely correspond to the RAL scale.

CASSETTE SANDWICH PANEL

WOODGRAIN SURFACE



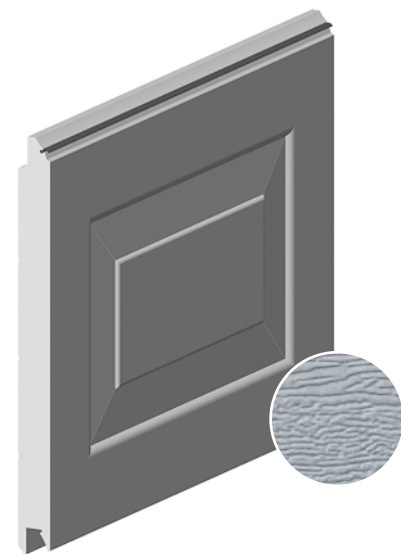
Door panel

Front side: Woodgrain surface with Cassette pattern.

Inner side: Woodgrain surface with horizontal stripes, grey-white colour close to RAL 9002.

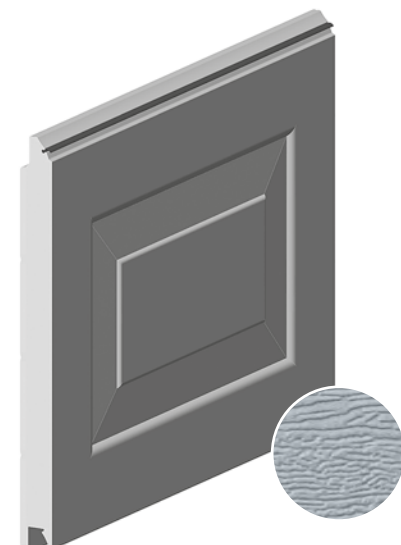
Panel height, mm	475
Panel thickness, mm	45
Weight, kg/m	5.1
Measure unit	m

Article	Code	Colour*	Length, m	Supply rate, m
CT1.01-475-3025	401030712	RAL 9016	3.025	66.55
CT1.01-475-3525	401030812	RAL 9016	3.525	77.55
CT1.01-475-4025	401030012	RAL 9016	4.025	88.55
CT1.01-475-4526	401030112	RAL 9016	4.525	99.55
CT1.01-475-5040	401030212	RAL 9016	5.040	110.88
CT1.01-475-2625	401030612	RAL 9016	2.625	57.75
CT1.02-475-3025	401031417	RAL 8014	3.025	66.55
CT1.02-475-3525	401031517	RAL 8014	3.525	77.55
CT1.02-475-4025	401030617	RAL 8014	4.025	88.55
CT1.02-475-4526	401030717	RAL 8014	4.526	99.55
CT1.02-475-5040	401030817	RAL 8014	5.040	110.88



Panel height, mm	500
Panel thickness, mm	45
Weight, kg/m	5.31
Measure unit	m

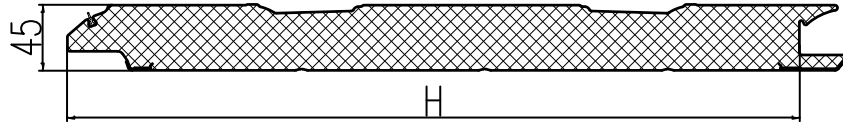
Article	Code	Colour*	Length, m	Supply rate, m
CT1.01-500-3025	401041412	RAL 9016	3.025	66.55
CT1.01-500-3525	401041512	RAL 9016	3.525	77.55
CT1.01-500-4025	401040312	RAL 9016	4.025	88.55
CT1.01-500-4526	401040412	RAL 9016	4.525	99.55
CT1.01-500-5040	401040512	RAL 9016	5.040	110.88
CT1.01-500-2625	401041312	RAL 9016	2.625	57.75
CT1.02-500-3025	401041917	RAL 8014	3.025	66.55
CT1.02-500-3525	401042017	RAL 8014	3.525	77.55
CT1.02-500-4025	401040917	RAL 8014	4.025	88.55
CT1.02-500-4526	401041017	RAL 8014	4.526	99.55
CT1.02-500-5040	401041117	RAL 8014	5.040	110.88



* Colours closely correspond to the RAL scale.

CASSETTE SANDWICH PANEL

WOODGRAIN SURFACE



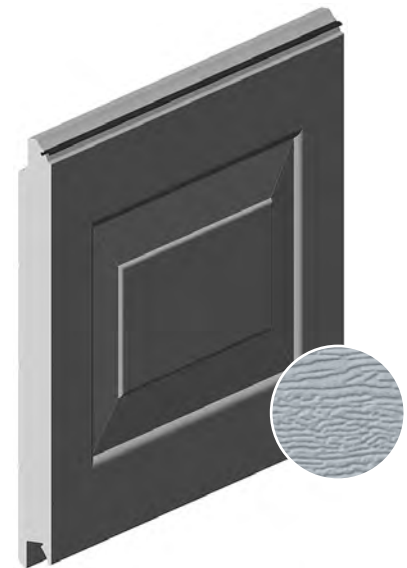
Door panel

Front side: Woodgrain surface with Cassette pattern.

Inner side: Woodgrain surface with horizontal stripes, grey-white colour close to RAL 9002.

Panel height, mm	525
Panel thickness, mm	45
Weight, kg/m	5.53
Measure unit	m

Article	Code	Colour*	Length, m	Supply rate, m
CT1.01-525-3025	401050712	RAL 9016	3.025	66.55
CT1.01-525-3525	401050812	RAL 9016	3.525	77.55
CT1.01-525-4025	401050012	RAL 9016	4.025	88.55
CT1.01-525-4526	401050112	RAL 9016	4.525	99.55
CT1.01-525-5040	401050212	RAL 9016	5.040	110.88
CT1.01-525-2625	401050612	RAL 9016	2.625	57.75
CT1.02-525-3025	401051317	RAL 8014	3.025	66.55
CT1.02-525-3525	401051417	RAL 8014	3.525	77.55
CT1.02-525-4025	401050617	RAL 8014	4.025	88.55
CT1.02-525-4526	401050717	RAL 8014	4.526	99.55
CT1.02-525-5040	401050817	RAL 8014	5.040	110.88



Panel height, mm	425
Panel thickness, mm	45
Weight, kg/m	4.79
Measure unit	m

Article	Code	Colour*	Length, m	Supply rate, m
CT0.05-425-3025	401011905	Golden Oak	3.025	66.55
CT0.05-425-3525	401012005	Golden Oak	3.525	77.55
CT0.05-425-4025	401011205	Golden Oak	4.025	88.55
CT0.05-425-4526	401011305	Golden Oak	4.525	99.55
CT0.05-425-5040	401011405	Golden Oak	5.040	110.88
CT0.05-425-2625	401011805	Golden Oak	2.625	57.75
CT0.06-425-3025	401012506	Dark Oak	3.025	66.55
CT0.06-425-3525	401012606	Dark Oak	3.525	77.55
CT0.06-425-4025	401011806	Dark Oak	4.025	88.55
CT0.06-425-4526	401011906	Dark Oak	4.526	99.55
CT0.06-425-5040	401012006	Dark Oak	5.040	110.88

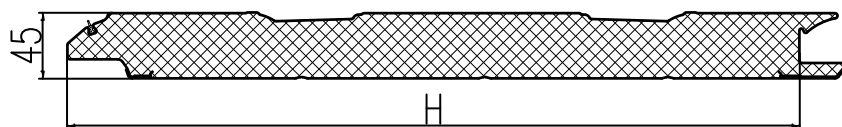


Golden Oak Dark Oak

* Colours closely correspond to the RAL scale.

CASSETTE SANDWICH PANEL

WOODGRAIN SURFACE



Door panel

Front side: Woodgrain surface with Cassette pattern.

Inner side: Woodgrain surface with horizontal stripes, grey-white colour close to RAL 9002.

Panel height, mm	450
Panel thickness, mm	45
Weight, kg/m	5.01
Measure unit	m

Article	Code	Colour*	Length, m	Supply rate, m
CT0.05-450-3025	401022605	Golden Oak	3.025	66.55
CT0.05-450-3525	401022705	Golden Oak	3.525	77.55
CT0.05-450-4025	401021205	Golden Oak	4.025	88.55
CT0.05-450-4526	401021305	Golden Oak	4.525	99.55
CT0.05-450-5040	401021405	Golden Oak	5.040	110.88
CT0.05-450-2625	401022505	Golden Oak	2.625	57.75
CT0.06-450-3025	401022706	Dark Oak	3.025	66.55
CT0.06-450-3525	401022806	Dark Oak	3.525	77.55
CT0.06-450-4025	401021806	Dark Oak	4.025	88.55
CT0.06-450-4526	401021906	Dark Oak	4.526	99.55
CT0.06-450-5040	401022006	Dark Oak	5.040	110.88



Golden Oak Dark Oak

Panel height, mm	475
Panel thickness, mm	45
Weight, kg/m	5.22
Measure unit	m

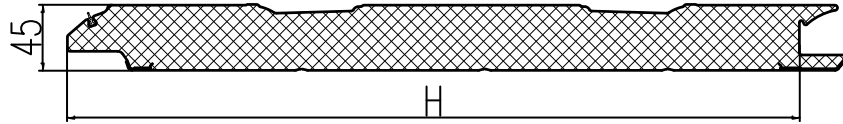
Article	Code	Colour*	Length, m	Supply rate, m
CT0.05-475-3025	401031905	Golden Oak	3.025	66.55
CT0.05-475-3525	401032005	Golden Oak	3.525	77.55
CT0.05-475-4025	401031205	Golden Oak	4.025	88.55
CT0.05-475-4526	401031305	Golden Oak	4.525	99.55
CT0.05-475-5040	401031405	Golden Oak	5.040	110.88
CT0.05-475-2625	401031805	Golden Oak	2.625	57.75
CT0.06-475-3025	401032506	Dark Oak	3.025	66.55
CT0.06-475-3525	401032606	Dark Oak	3.525	77.55
CT0.06-475-4025	401031806	Dark Oak	4.025	88.55
CT0.06-475-4526	401031906	Dark Oak	4.526	99.55
CT0.06-475-5040	401032006	Dark Oak	5.040	110.88



Golden Oak Dark Oak

CASSETTE SANDWICH PANEL

WOODGRAIN SURFACE



Door panel

Front side: Woodgrain surface with Cassette pattern.

Inner side: Woodgrain surface with horizontal stripes, grey-white colour close to RAL 9002.

Panel height, mm	500
Panel thickness, mm	45
Weight, kg/m	5.43
Measure unit	m

Article	Code	Colour*	Length, m	Supply rate, m
CT0.05-500-3025	401042605	Golden Oak	3.025	66.55
CT0.05-500-3525	401042705	Golden Oak	3.525	77.55
CT0.05-500-4025	401041505	Golden Oak	4.025	88.55
CT0.05-500-4526	401041605	Golden Oak	4.525	99.55
CT0.05-500-5040	401041705	Golden Oak	5.040	110.88
CT0.05-500-2625	401042505	Golden Oak	2.625	57.75
CT0.06-500-3025	401042806	Dark Oak	3.025	66.55
CT0.06-500-3525	401042906	Dark Oak	3.525	77.55
CT0.06-500-4025	401042106	Dark Oak	4.025	88.55
CT0.06-500-4526	401042206	Dark Oak	4.526	99.55
CT0.06-500-5040	401042306	Dark Oak	5.040	110.88



Panel height, mm	525
Panel thickness, mm	45
Weight, kg/m	5.65
Measure unit	m

Article	Code	Colour*	Length, m	Supply rate, m
CT0.05-525-3025	401051905	Golden Oak	3.025	66.55
CT0.05-525-3525	401052005	Golden Oak	3.525	77.55
CT0.05-525-4025	401051205	Golden Oak	4.025	88.55
CT0.05-525-4526	401051305	Golden Oak	4.525	99.55
CT0.05-525-5040	401051405	Golden Oak	5.040	110.88
CT0.05-525-2625	401051805	Golden Oak	2.625	57.75
CT0.06-525-3025	401052506	Dark Oak	3.025	66.55
CT0.06-525-3525	401052606	Dark Oak	3.525	77.55
CT0.06-525-4025	401051806	Dark Oak	4.025	88.55
CT0.06-525-4526	401051906	Dark Oak	4.526	99.55
CT0.06-525-5040	401052006	Dark Oak	5.040	110.88



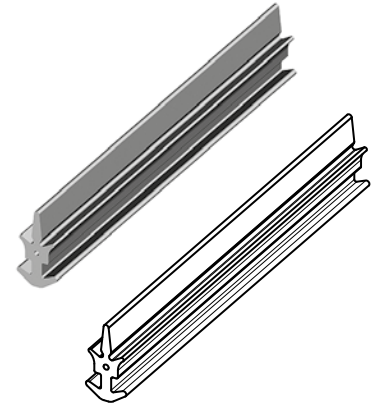
SEALING INSERT

Sealing insert

Designed for installation with sandwich panels of all types.

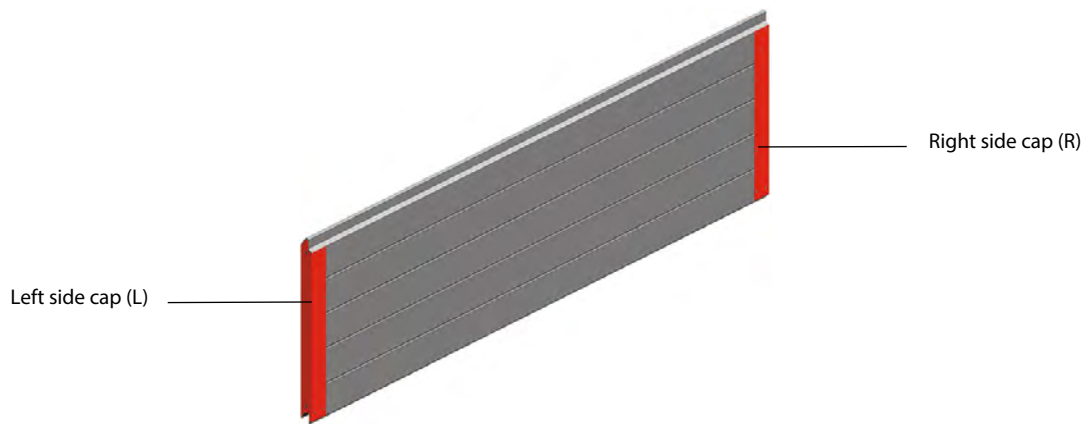
Material EPDM
 Weight, kg/m 0.13
 Measure unit m
 Supply rate, m 2000

Article	Code
RSP16	401530600



SIDE CAPS

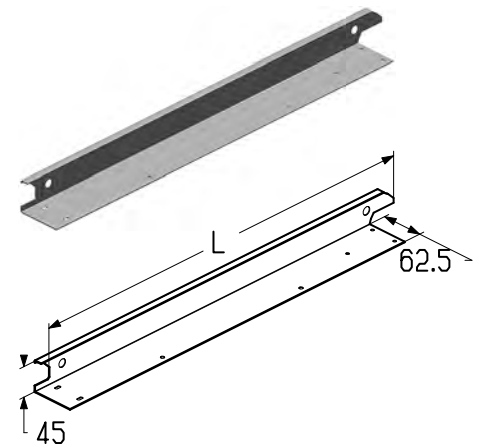
SIDE CAP INSTALLATION



Side cap

Designed for installation on the ends of a sandwich panel.
Used in garage doors with torsion and tension springs, and in industrial doors up to 5000 mm wide.

Material galvanized steel
Coating polymeric
Colour grey-white (close to RAL 9002)
Thickness, mm 1
Measure unit pcs.

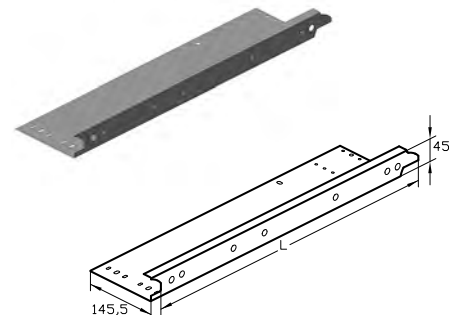


Article	Code	Length (L), mm	Weight, kg/pcs.	Supply rate, pcs
EC-45.425L	401310710	425	0.38	64
EC-45.425R	401310810	425	0.38	64
EC-45.450L	401320910	450	0.40	64
EC-45.450R	401321010	450	0.40	64
EC-45.475L	401330710	475	0.42	64
EC-45.475R	401330810	475	0.42	64
EC-45.500L	401341110	500	0.44	64
EC-45.500R	401341210	500	0.44	64
EC-45.525L	401350710	525	0.46	64
EC-45.525R	401350810	525	0.46	64
EC-45.625L	401391110	625	0.55	52
EC-45.625R	401391210	625	0.55	52

Side cap

Designed for installation on the ends of a sandwich panel.
Used in garage doors with torsion springs and in industrial doors over 5000 mm wide.

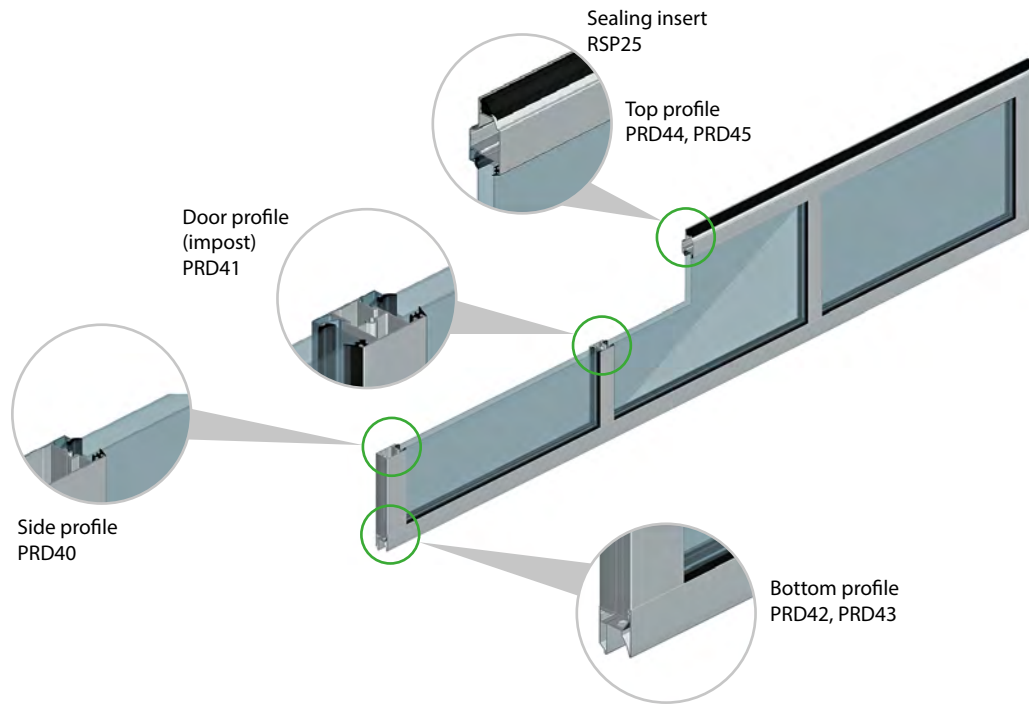
Material galvanized steel
Coating polymeric
Colour grey-white (close to RAL 9002)
Thickness, mm 1
Measure unit pcs.



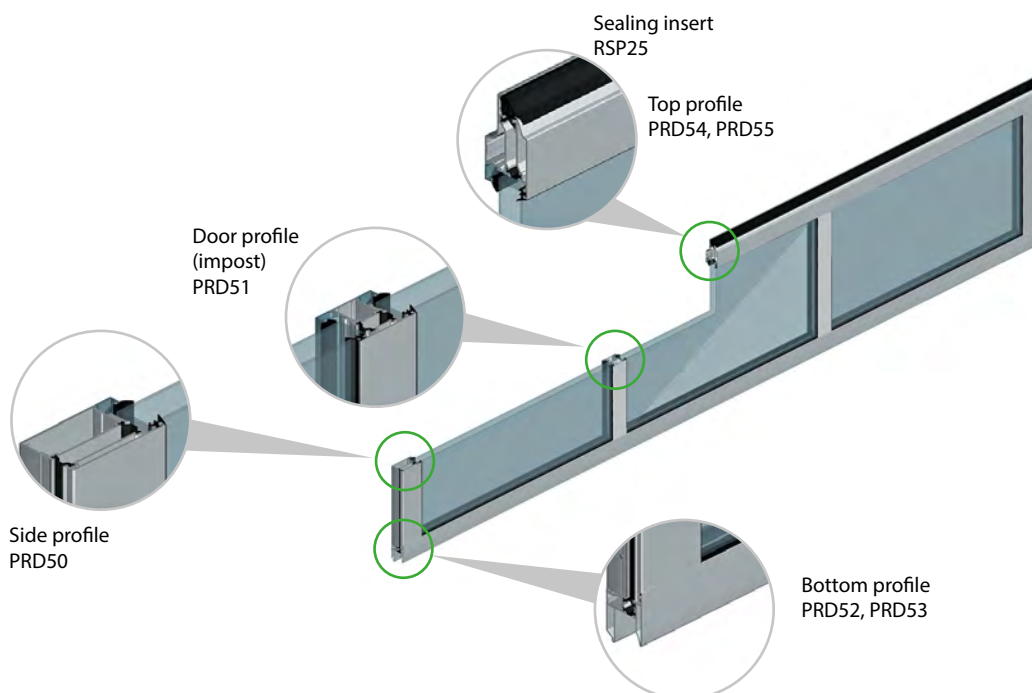
Article	Code	Length (L), mm	Weight, kg/pcs.	Supply rate, pcs
EC-45.450DL	401321110	450	0.64	36
EC-45.450DR	401321210	450	0.64	36
EC-45.500DL	401341310	500	0.72	36
EC-45.500DR	401341410	500	0.72	36
EC-45.625DL	401391310	625	0.92	24
EC-45.625DR	401391410	625	0.92	24

ALUMINIUM PROFILES FOR PANORAMIC PANELS

STANDARD DESIGN OF ALUPRO PANORAMIC PANEL



STANDARD DESIGN OF ALUTHERM PANORAMIC PANEL



ALUMINIUM PROFILES FOR PANORAMIC PANELS

TYPES OF PANORAMIC PANEL AND INFILL VARIANTS
ALUPRO SERIES



Double glazing
26 mm



Single glazing
2 (3) mm



Composite infill
26 mm



Composite infill
3 mm

TYPES OF PANORAMIC PANEL AND INFILL VARIANTS
ALUTHERM SERIES



Triple infill
26 mm



Double infill
26 mm



Composite infill
26 mm

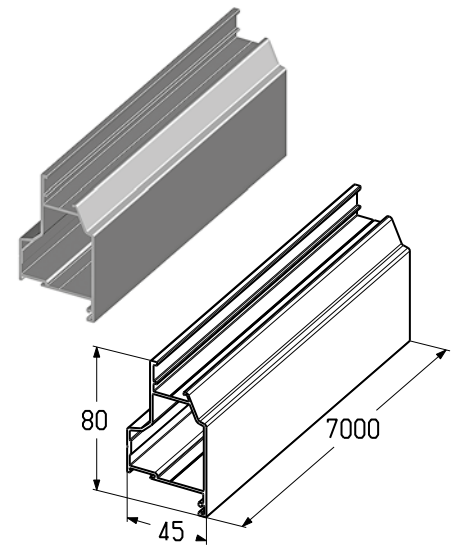
ALUMINIUM PROFILES FOR PANORAMIC PANELS

Top profile

Used for producing AluPro series panoramic panels.
Installed with Microwave sandwich panels.

Material	aluminium
Length, mm	7000
Weight, kg/m	0.95
Measure unit	m
Supply rate, m	28

Article	Code	Coating	Colour*
PRD44	401130511	Powder	RAL 9006
	401130512		RAL 9016
	401130517		RAL 8014
	401130514		RAL 5010
	401130291	Anodized	A00-D6

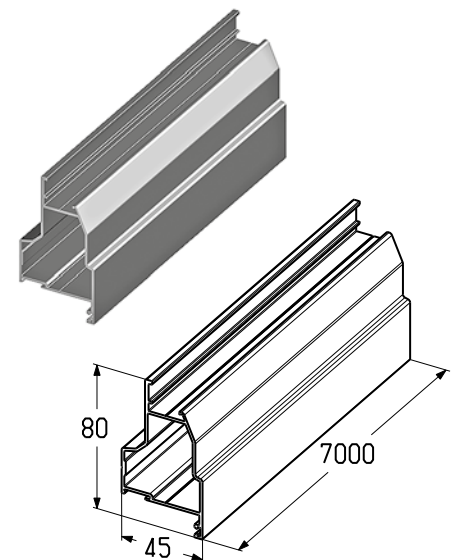


Top profile

Used for producing AluPro series panoramic panels.
Installed with S-ribbed sandwich panels.

Material	aluminium
Length, mm	7000
Weight, kg/m	0.95
Measure unit	m
Supply rate, m	28

Article	Code	Coating	Colour*
PRD45	401130611	Powder	RAL 9006
	401130612		RAL 9016
	401130617		RAL 8014
	401130614		RAL 5010
	401130391	Anodized	A00-D6

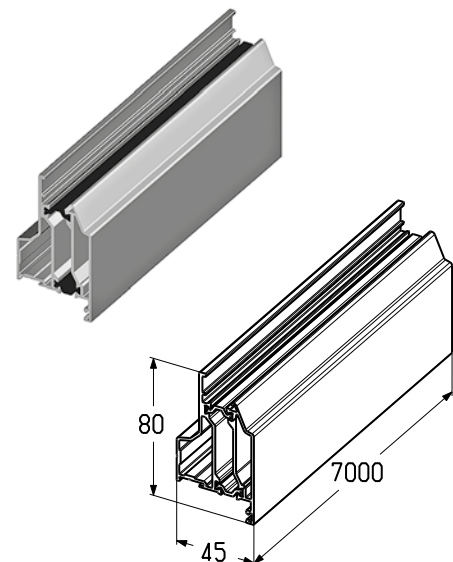


Top profile (with thermal break)

Used for producing AluTherm series panoramic panels.
Installed with Microwave sandwich panels.

Material	aluminium
Length, mm	7000
Weight, kg/m	1.46
Measure unit	m
Supply rate, m	28

Article	Code	Colour*
PRD54	401130811	RAL 9006
	401130812	RAL 9016
	401130817	RAL 8014
	401130814	RAL 5010



* Colours closely correspond to the RAL scale.

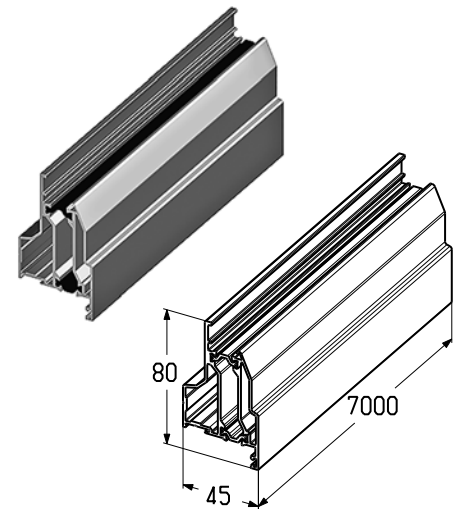
ALUMINIUM PROFILES FOR PANORAMIC PANELS

Top profile (with thermal break)

Used for producing AluTherm series panoramic panels.
Installed with S-ribbed sandwich panels.

Material aluminium
Length, mm 7000
Weight, kg/m 1.46
Measure unit m
Supply rate, m 28

Article	Code	Colour*
PRD55	401130911	RAL 9006
	401130912	RAL 9016
	401130917	RAL 8014
	401130914	RAL 5010



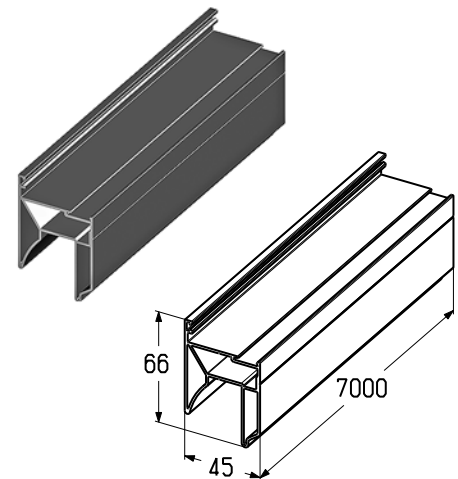
Bottom profile

Used for producing AluPro series panoramic panels.
Installed in panoramic doors:

- up to 4000 mm wide;
- from 5005 mm wide with reinforcing profile (PRG-20).

Material aluminium
Length, mm 7000
Weight, kg/m 1.09
Measure unit m
Supply rate, m 28

Article	Code	Coating	Colour*
PRD42	401110211	Powder	RAL 9006
	401110212		RAL 9016
	401110217		RAL 8014
	401110217		RAL 5010
	401110291	Anodized	A00-D6

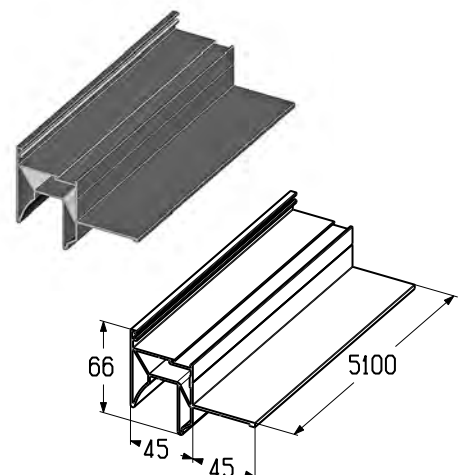


Bottom profile

Used for producing AluPro series panoramic panels.
Installed in panoramic doors from 4005 to 5000 mm wide.

Material aluminium
Length, mm 5100
Weight, kg/m 1.36
Measure unit m
Supply rate, m 20.24

Article	Code	Coating	Colour*
PRD43	401110311	Powder	RAL 9006
	401110312		RAL 9016
	401110317		RAL 8014
	401110317		RAL 5010
	401110391	Anodized	A00-D6



* Colours closely correspond to the RAL scale.

ALUMINIUM PROFILES FOR PANORAMIC PANELS

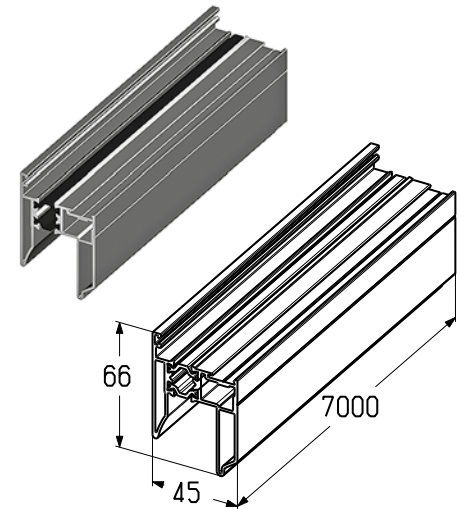
Bottom profile (with thermal break)

Used for producing AluTherm series panoramic panels.

- up to 4000 mm wide;
- from 5005 mm wide with reinforcing profile (PRG-20).

Material	aluminium
Length, mm	7000
Weight, kg/m	1.30
Measure unit	m
Supply rate, m	28

Article	Code	Colour*
PRD52	401110511	RAL 9006
	401110512	RAL 9016
	401110517	RAL 8014
	401110514	RAL 5010



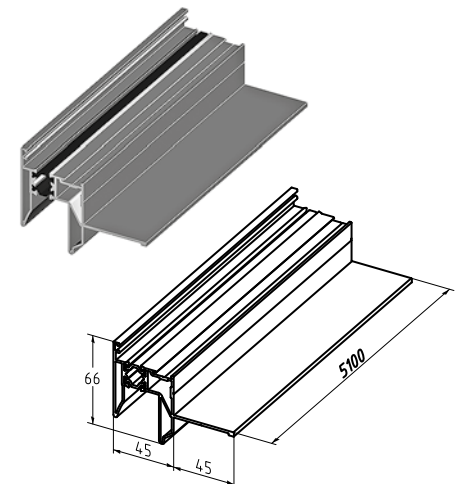
Bottom profile (with thermal break)

Used for producing AluTherm series panoramic panels.

Installed in panoramic doors from 4005 to 5000 mm wide.

Material	aluminium
Length, mm	5100
Weight, kg/m	1.57
Measure unit	m
Supply rate, m	14

Article	Code	Colour*
PRD53	401110611	RAL 9006
	401110612	RAL 9016
	401110617	RAL 8014
	401110614	RAL 5010

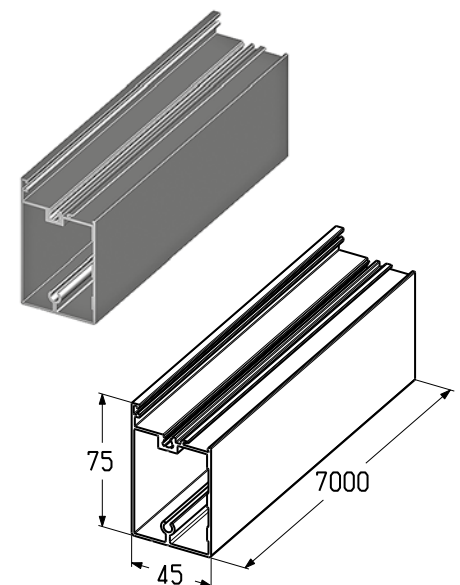


Side profile

Used for producing AluPro series panoramic panels.

Material	aluminium
Length, mm	7000
Weight, kg/m	1.21
Measure unit	m
Supply rate, m	28

Article	Code	Coating	Colour*
PRD40	401120211	Powder	RAL 9006
	401120212		RAL 9016
	401120217		RAL 8014
	401120214		RAL 5010
	401120291	Anodized	A00-D6



* Colours closely correspond to the RAL scale.

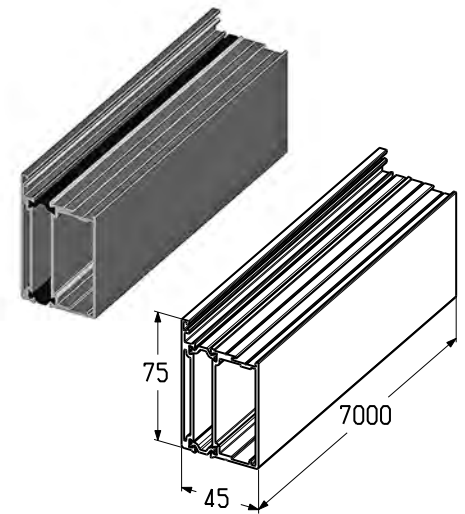
ALUMINIUM PROFILES FOR PANORAMIC PANELS

Side profile (with thermal break)

Used for producing AluTherm series panoramic panels.

Material aluminium
 Length, mm 7000
 Weight, kg/m 1.61
 Measure unit m
 Supply rate, m 14

Article	Code	Colour*
PRD50	401120411	RAL 9006
	401120412	RAL 9016
	401120417	RAL 8014
	401120414	RAL 5010

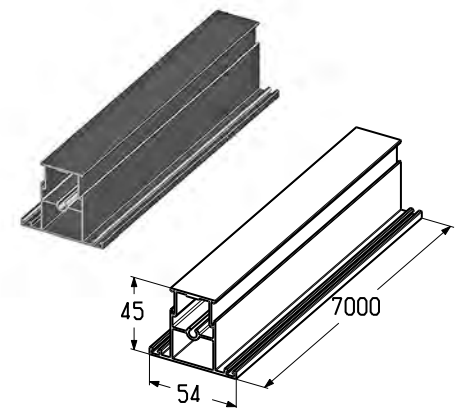


Door profile (impost)

Used for producing AluPro series panoramic panels.

Material aluminium
 Length, mm 7000
 Weight, kg/m 0.87
 Measure unit m
 Supply rate, m 28

Article	Code	Coating	Colour*
PRD41	401140211	Powder	RAL 9006
	401140212		RAL 9016
	401140217		RAL 8014
	401140214		RAL 5010
	401140191	Anodized	A00-D6

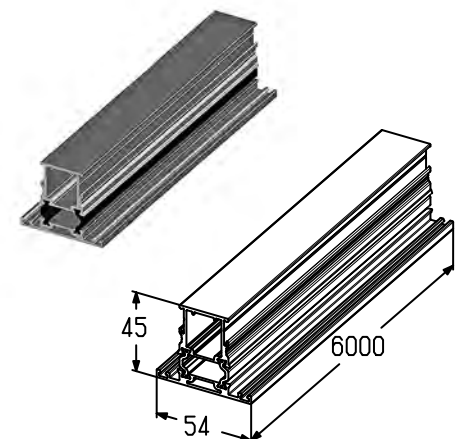


Door profile (impost with thermal break)

Used for producing AluTherm series panoramic panels.

Material aluminium
 Length, mm 6000
 Weight, kg/m 1.16
 Measure unit m
 Supply rate, m 24

Article	Code	Colour*
PRD51	401140411	RAL 9006
	401140412	RAL 9016
	401140417	RAL 8014
	401140414	RAL 5010



* Colours closely correspond to the RAL scale.

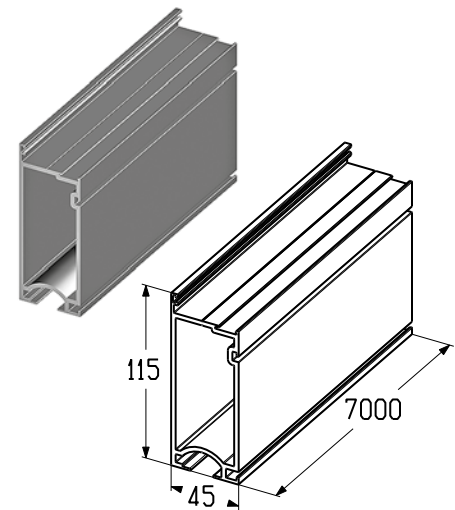
ALUMINIUM PROFILES FOR PANORAMIC PANELS

Bottom end profile

Used for producing AluPro series panoramic panels.

Material	aluminium
Length, mm	7000
Weight, kg/m	2.62
Measure unit	m
Supply rate, m	14

Article	Code	Coating	Colour*
PRD46	401410111	Powder	RAL 9006
	401410112		RAL 9016
	401410117		RAL 8014
	401410114		RAL 5010
	401110491	Anodized	A00-D6

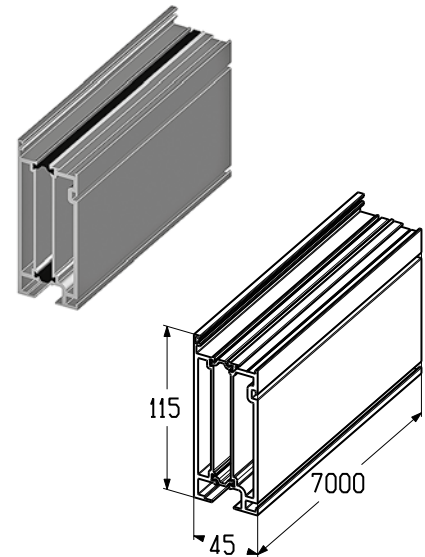


Bottom end profile (with thermal break)

Used for producing AluTherm series panoramic panels.

Material	aluminium
Length, mm	7000
Weight, kg/m	3.20
Measure unit	m
Supply rate, m	14

Article	Code	Colour*
PRD56	401490111	RAL 9006
	401490112	RAL 9016
	401490117	RAL 8014
	401490114	RAL 5010

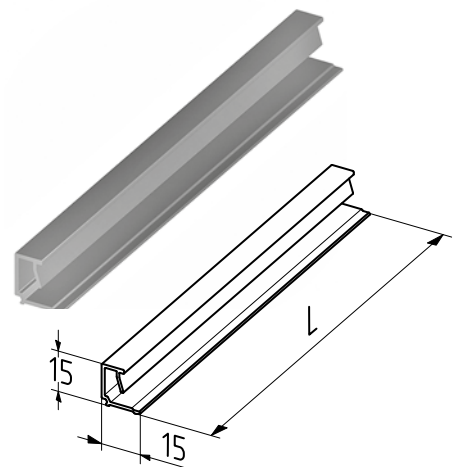


Fillet profile

Used for producing AluPro and AluTherm series panoramic panels together with transparent or composite inserts 26 mm thick.

Material	aluminium
Length, mm	6000
Weight, kg/m	0.15
Measure unit	m
Supply rate, m	96

Article	Code	Colour* Degree of gloss
PRD91	402980631	RAL 9005 30



* Colours closely correspond to the RAL scale.

ALUMINIUM PROFILES FOR PANORAMIC PANELS

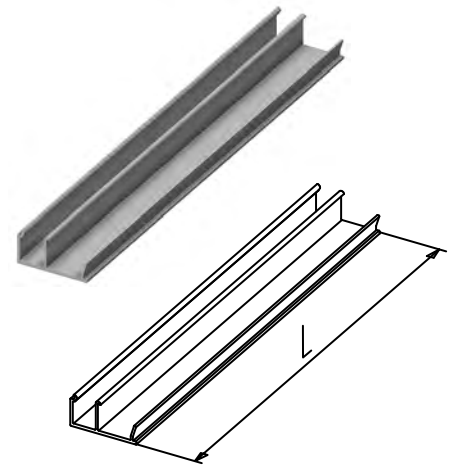
Fillet profile

Used for producing AluPro series panoramic panels together with:

- Steel expanded mesh for panoramic panel (GG-58);
- 3 mm thick transparent inserts;
- 3 mm thick composite panels.

Material	aluminium
Length, mm	6000
Weight, kg/m	0.236
Measure unit	m
Supply rate, m	96

Article	Code	Colour Degree of gloss
PRD48	401150830	RAL 9005 30



Sealing insert

Used for producing AluPro and AluTherm series panoramic panels.
Designed for installation into top door profile (PRD44, PRD45, PRD54, PRD55).

Material	EPDM
Weight, kg/m	0.34
Measure unit	m
Supply rate, m	100

Article	Code
RSP25	401520200

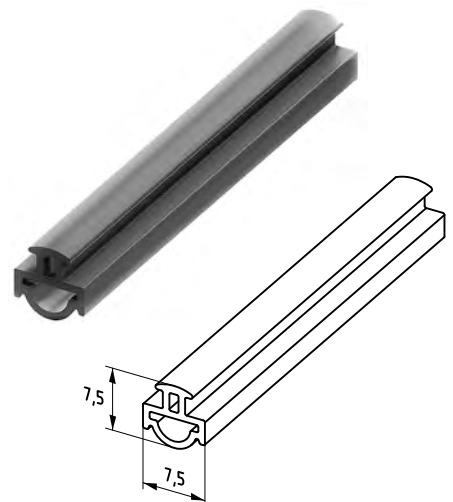


Rubber seal

Used for producing AluPro and AluTherm series panoramic panels.
Designed for installation on front side of doors together with 26, 25 and 3 mm thick transparent insert or 26 mm or 3 mm thick composite insert, steel expanded mesh (GG-58) infill for panoramic sections.

Material	EPDM
Weight, kg/m	0.05
Measure unit	m
Supply rate, m	500

Article	Code
FRK07	10210600



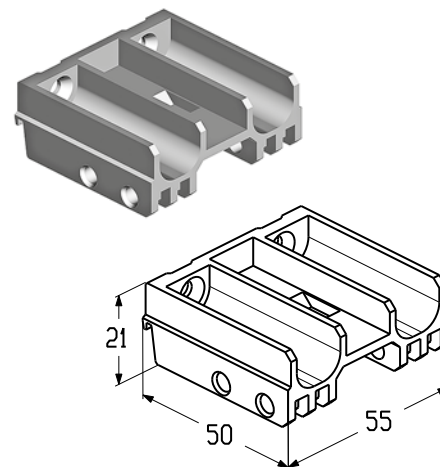
ALUMINIUM PROFILES FOR PANORAMIC PANELS

Connector

Used for producing AluTherm series panoramic panels.
 Designed for connecting top door profile (PRD54, PRD55) and side door profile (PRD50).

Material aluminium
 Weight, kg/pcs. 0.128
 Measure unit pcs.
 Supply rate, pcs. 100

Article	Code
C1010	401190300

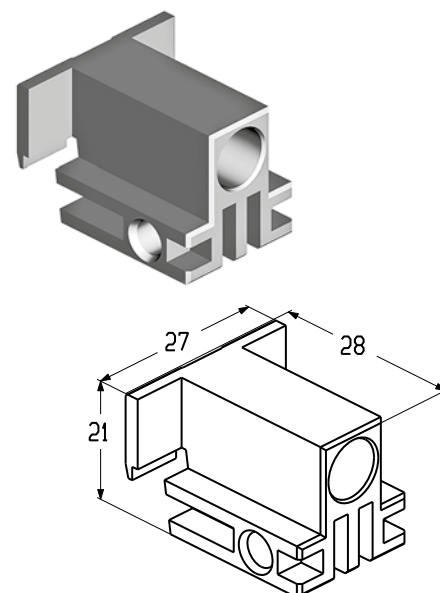


Connector

Used for producing AluTherm series panoramic panels.
 Designed for connecting top door profile (PRD54, PRD55) and door impost profile (PRD51).

Material aluminium
 Weight, kg/pcs. 0.03
 Measure unit pcs.
 Supply rate, pcs. 400

Article	Code
C1011	401190400

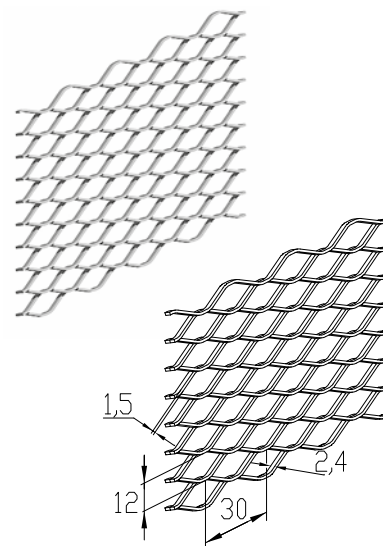


Steel expanded mesh for panoramic panel

Used as an infill for AluPro series panoramic panels.

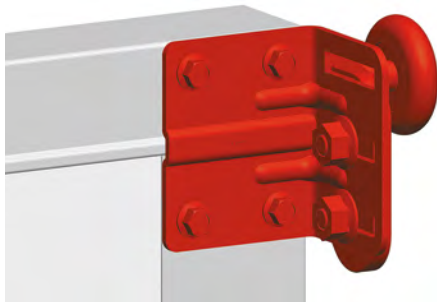
Material galvanized steel
 Thickness, mm 4.0
 Weight, kg/m² 0.44
 Measure unit m²
 Supply rate, m 3.125

Article	Code
GG-58	401192200

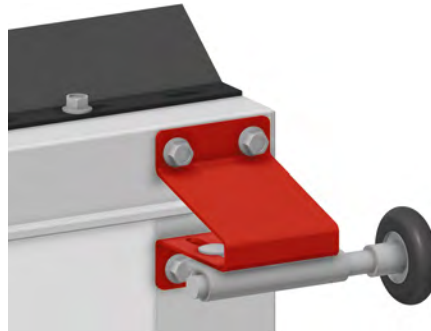


BRACKETS AND HINGES FOR DOOR LEAF ASSEMBLY

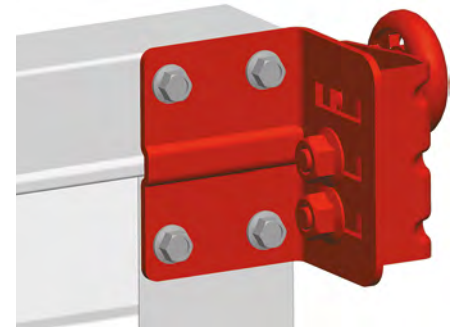
TOP BRACKET INSTALLATION



Top bracket for garage doors with torsion springs and industrial doors



Top bracket for industrial doors



Top bracket for garage doors with tension springs

Top bracket

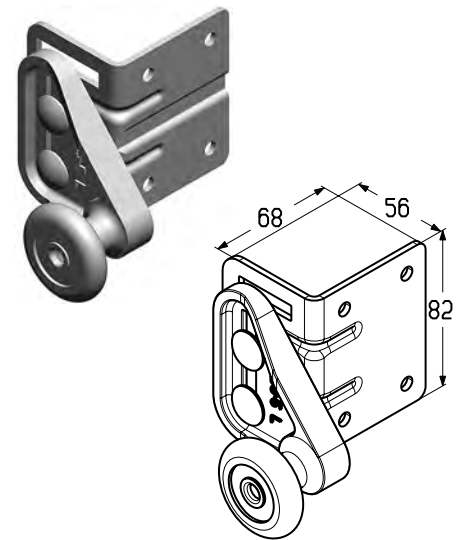
Designed for installation on top door leaf panel.

Used in:

- garage doors of standard and low mounting types;
- industrial doors of low and inclined low mounting types.

Material stainless steel/aluminium
 Weight, kg/pcs. 0.359
 Measure unit pcs.
 Supply rate, pcs..... 30

Article	Code	Notes	Roller pin
RBG900L	401210000	Left	From galvanized steel
RBG900R	401210100	Right	
RBG900L-SS	401210200	Left	From stainless steel
RBG900R-SS	401210300	Right	



Top roller bracket

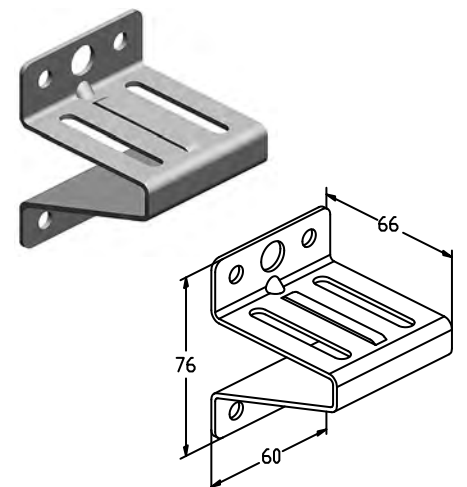
Designed for installation on top door leaf panel.

Used in:

- garage doors of high mounting type;
- industrial doors of all mounting types (except for low mounting types).

Material stainless steel
 Weight, kg/pcs. 0.157
 Measure unit pcs.
 Supply rate, pcs..... 90

Article	Code
RBI-45.127	401211500



BRACKETS AND HINGES FOR DOOR LEAF ASSEMBLY

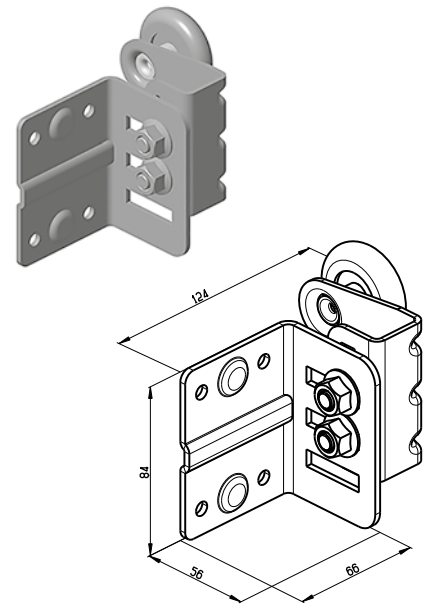
TOP BRACKET INSTALLATION

Top bracket

Designed for installation on top door leaf panel.
Used in garage doors with tension springs.

Weight, kg/pcs. 0.418
 Measure unit pcs.
 Supply rate, pcs. 20

Article	Code	Notes	Material
RBG-900TNL	401211000	Left	Stainless steel
RBG-900TNR	401211100	Right	



1.1

1.2

1.3

1.4

1.5

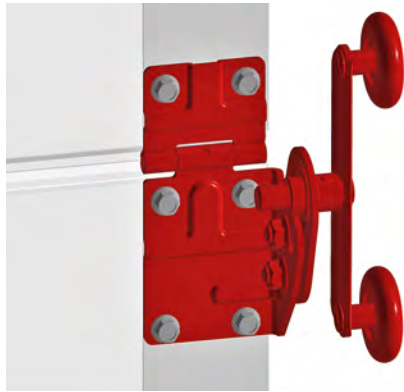
2

3

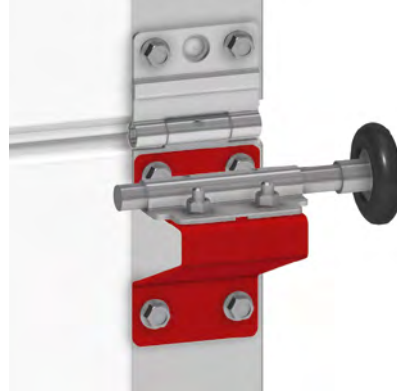
4

BRACKETS AND HINGES FOR DOOR LEAF ASSEMBLY

SIDE BRACKET INSTALLATION



Side bracket for garage doors



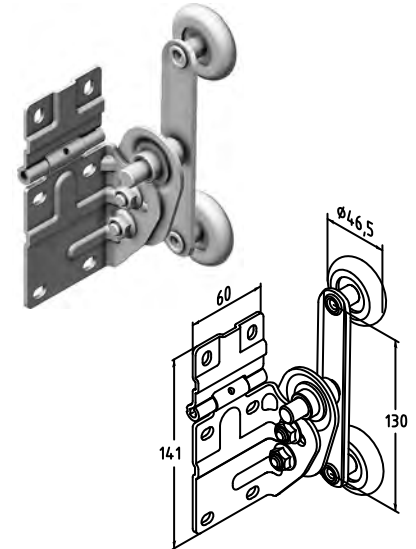
Side bracket for industrial doors

Side bracket

Designed for installation on intermediate panels of garage doors.
Used in garage doors of all mounting types (except high with top shaft positioning) if the opening width is up to 5 m.

Material stainless steel
Weight, kg/pcs. 0.661
Measure unit pcs.
Supply rate, pcs. 24

Article	Code	Notes	Roller pin
RBP-700L-SS	406136709	Left	From stainless steel
RBP-700R-SS	406136710	Right	



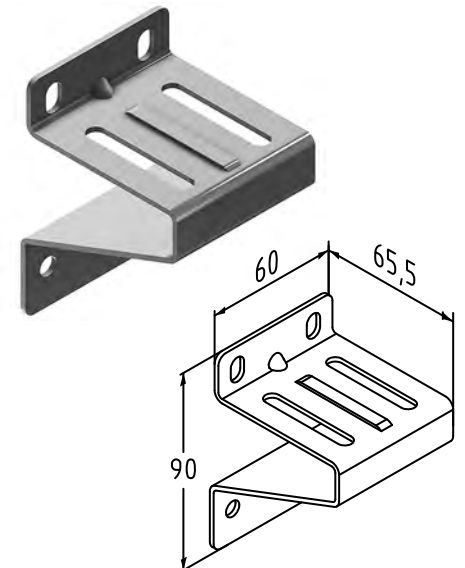
Side bracket

Designed for installation on intermediate door leaf panel.
Used in:

- garage doors of high mounting type; garage doors of standard and low mounting types if the opening width is more than 5 m;
- industrial doors of all mounting types.

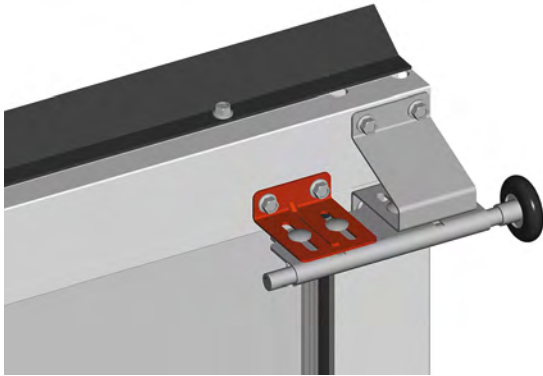
Material stainless steel
Weight, kg/pcs. 0.154
Measure unit pcs.
Supply rate, pcs. 145

Article	Code
RBI123	401220400

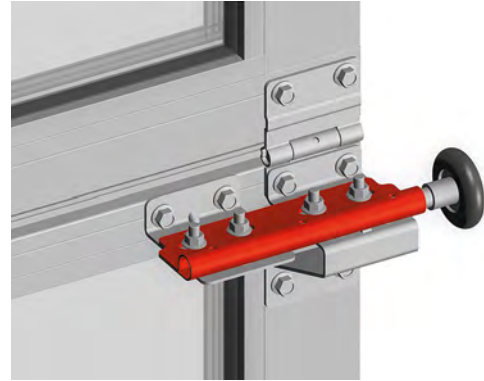


BRACKETS AND HINGES FOR DOOR LEAF ASSEMBLY

ADDITIONAL SIDE BRACKET INSTALLATION SIDE BRACKET FOR PANORAMIC DOORS



Installation on top panel

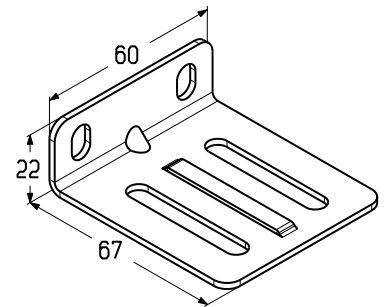
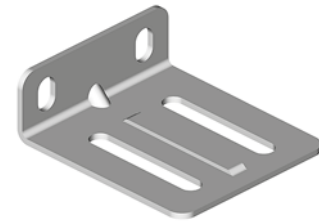


Installation on intermediate panels

Additional side bracket

Designed for installation on intermediate and top panoramic panels of AluPro and AluTherm series. Installed together with side bracket (RBI123) and top bracket (RBI-45.127). Used in garage and industrial doors with panoramic panels if the opening width is over 5 m.

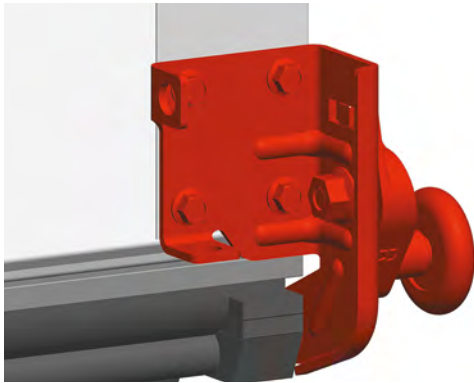
Material stainless steel
 Weight, kg/pcs. 0.07
 Measure unit pcs.



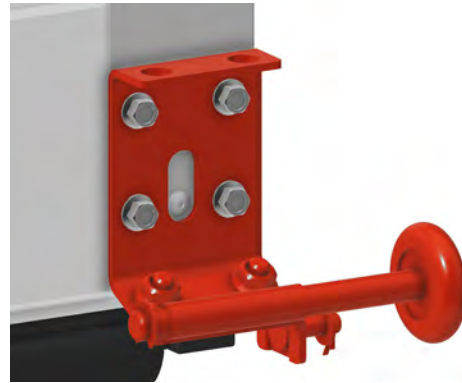
Article	Code
11043124	4000130

BRACKETS AND HINGES FOR DOOR LEAF ASSEMBLY

BOTTOM BRACKET INSTALLATION



Bottom bracket for garage doors with torsion springs



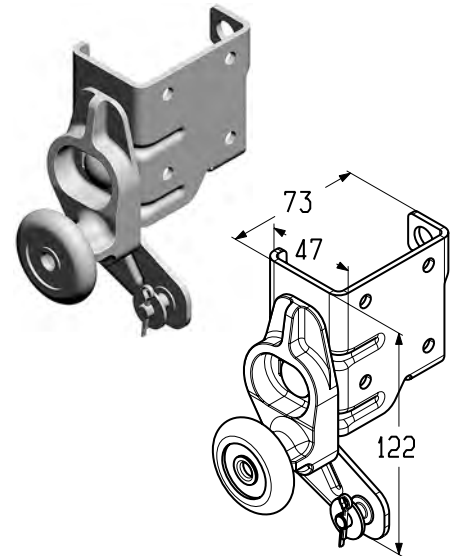
Bottom bracket for garage doors with tension springs

Bottom bracket (left/right)

Designed for installation on bottom door leaf panel.
Used in garage doors with torsion springs.

Material stainless steel/aluminium
Weight, kg/pcs. 0.419
Measure unit pcs.
Supply rate, pcs. 30

Article	Code	Notes	Roller pin
RBG100L	401231200	Left	Galvanized steel
RBG100R	401231300	Right	
RBG100L-SS	401231400	Left	Stainless steel
RBG100R-SS	401231500	Right	

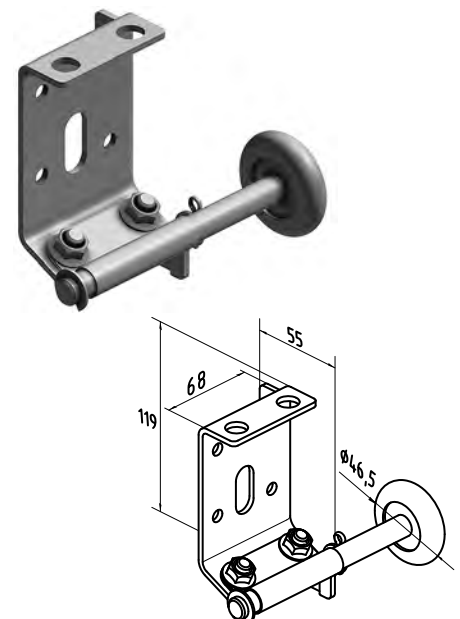


Bottom bracket (left/right)

Designed for installation on bottom door leaf panel.
Used in garage doors with tension springs.

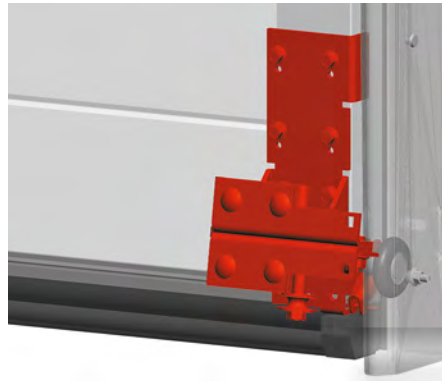
Weight, kg/pcs. 0.491
Measure unit pcs.
Supply rate, pcs. 40

Article	Code	Notes	Material
RBG-150TNL	406136713	Left	Stainless steel
RBG-150TNR	406136714	Right	



BRACKETS AND HINGES FOR DOOR LEAF ASSEMBLY

BOTTOM BRACKET INSTALLATION



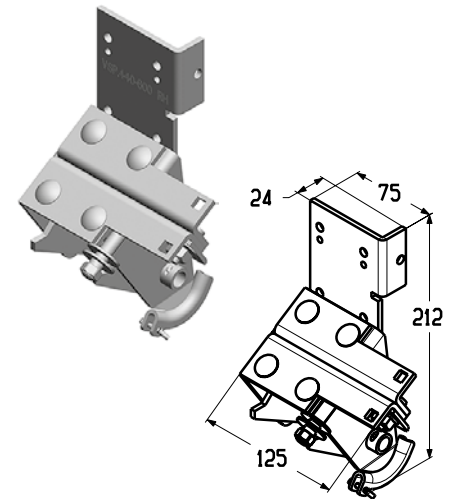
Bottom bracket for industrial doors

Bottom bracket

Designed for protection against industrial door leaf falling in case of cable failure. Installed on bottom door panel if width is up to 5 m. Used in industrial doors of all mounting types.

Material galvanized steel
 Weight, kg/pcs. 1.76
 Measure unit pcs.
 Supply rate, pcs. 8

Article	Code	Notes
RBI446L	401230400	Left
RBI446R	401230500	Right

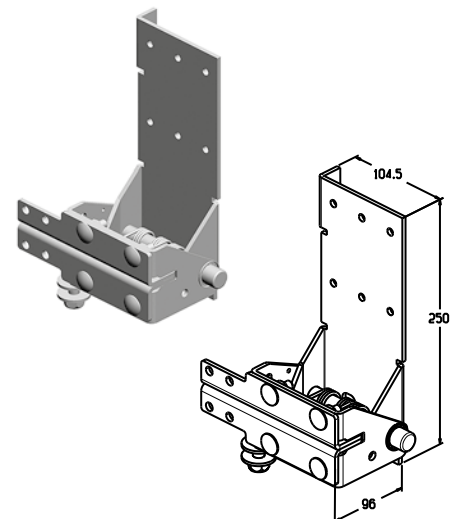


Bottom roller bracket

Designed for protection against industrial door leaf falling in case of cable failure. Installed on bottom door panel if width is over 5 m. Used in industrial doors of all mounting types.

Material galvanized steel
 Weight, kg/pcs. 2.56
 Measure unit pcs.

Article	Code	Notes
RBI-45.110DL	401233000	Left
RBI-45.110DR	401233100	Right

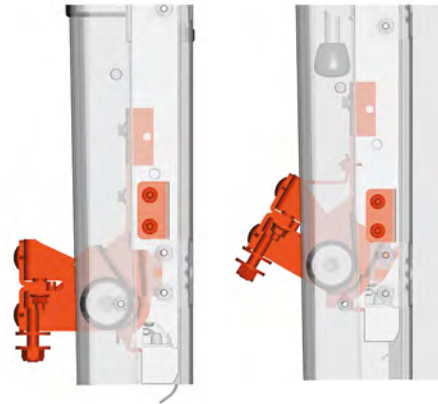


BRACKETS AND HINGES FOR DOOR LEAF ASSEMBLY

INSTALLATION OF BOTTOM ROLLER BRACKET FOR INDUSTRIAL DOORS



**Bottom roller bracket
(RBI-45.100L/R)**



**Bottom roller bracket
(RBI-45.120L/R)**

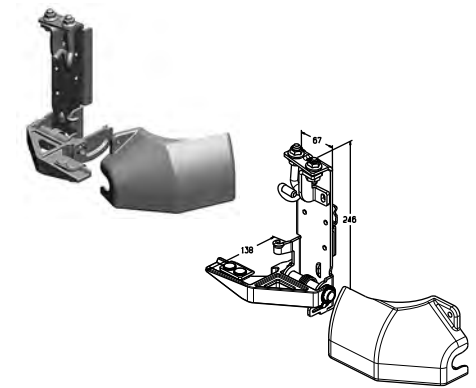
Bottom roller bracket

Designed for:

- protection against industrial door leaf falling in case of cable failure;
- anti-jacking protection of industrial doors with shaft electric drive;
- cable tension adjustment.

Installed on the bottom door leaf panel if the width is up to 5 m or door leaf area is up to 25 m². Used in industrial doors of all mounting types.

Material galvanized steel
Weight, kg/pcs. 1.74
Measure unit pcs.



Article	Code	Notes
RBI-45.100L	402602000	Left
RBI-45.100R	402602100	Right

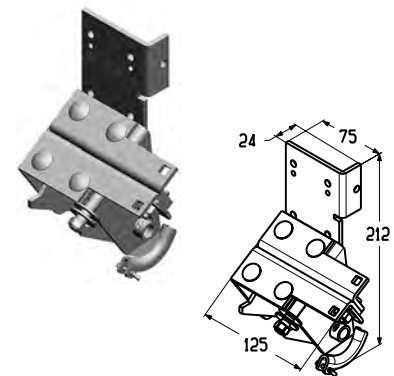
Bottom bracket

Designed for:

- protection against industrial door leaf falling in case of cable failure;
- anti-jacking protection of industrial doors with shaft electric drive.

Installed on the bottom door leaf panel if the width is up to 5 m. Used in industrial automated doors of all mounting types.

Material galvanized steel
Weight, kg/pcs. 1.76
Measure unit pcs.
Supply rate, pcs. 8



Article	Code	Notes
RBI446ML	401230600	Left
RBI446MR	401230700	Right

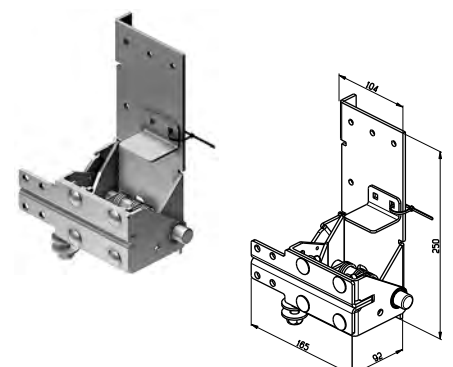
Bottom roller bracket

Designed for:

- protection against industrial door leaf falling in case of cable failure;
- anti-jacking protection of industrial doors with shaft electric drive.

Installed on the bottom door leaf panel if the width is over 5 m. Used in industrial automated doors of all mounting types.

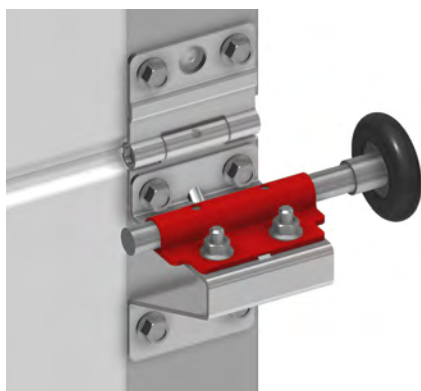
Material galvanized steel
Weight, kg/pcs. 2.56
Measure unit pcs.



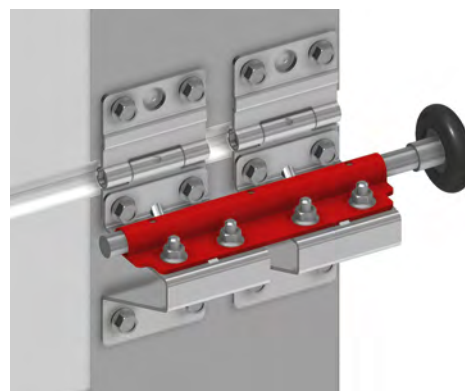
Article	Code	Notes
RBI-45.120DL	401234000	Left
RBI-45.120DR	401234100	Right

BRACKETS AND HINGES FOR DOOR LEAF ASSEMBLY

ROLLER PLATE INSTALLATION



Roller plate



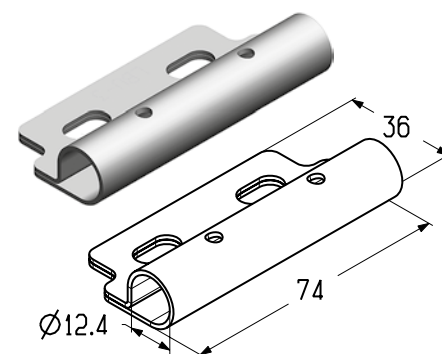
Duplex roller plate

Roller plate

Designed for roller (R-130-12-G, R-130-12-SS) installation on side bracket (RBI123) on intermediate door leaf panels. Used in:

- garage doors of high mounting type;
- industrial doors of all mounting types.

Material stainless steel
 Weight, kg/pcs. 0.048
 Measure unit pcs.
 Supply rate, pcs. 400



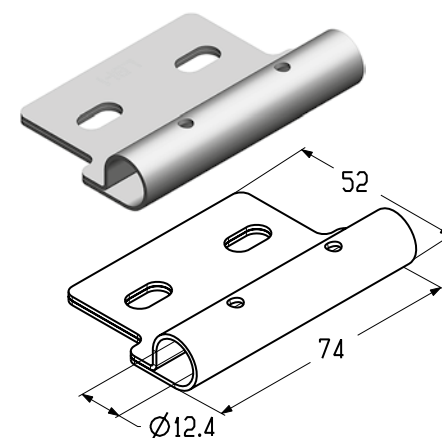
Article	Code
RP112	401240000

Roller plate

Designed for roller (R-130-12-G, R-130-12-SS) installation on top bracket (RBI-45.127) on top door leaf panel. Used in:

- garage doors of high mounting type;
- industrial doors of all mounting types.

Material stainless steel
 Weight, kg/pcs. 0.06
 Measure unit pcs.
 Supply rate, pcs. 100



Article	Code
RP113	401240100

BRACKETS AND HINGES FOR DOOR LEAF ASSEMBLY

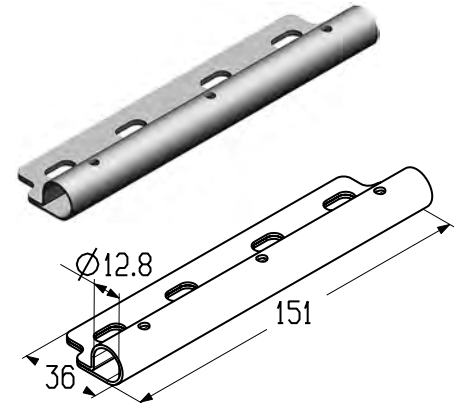
Duplex intermediate roller plate

Designed for roller (R-205-12-G, R-205-12-SS, R-205-12-GG) installation on duplex side bracket (RBI123) on intermediate door leaf panels.

Used in garage doors of high mounting type, standard and low mounting type if the opening width is over 5 m, in industrial doors of all mounting types if the opening width is over 5 m.

Material stainless steel
Weight, kg/pcs. 0.102
Measure unit pcs.
Supply rate, pcs. 250

Article	Code
RP121	401240200



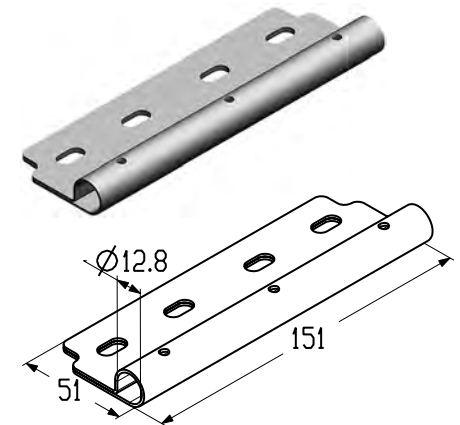
Duplex top roller plate

Designed for roller (R-205-12-G, R-205-12-SS, R-205-12-GG) installation on duplex top bracket (RBI-45.127) on top door leaf panel.

Used in garage doors of high mounting type and in industrial doors of all mounting types if the opening width is over 5 m.

Material stainless steel
Weight, kg/pcs. 0.15
Measure unit pcs.
Supply rate, pcs. 200

Article	Code
RP122	401240300



Intermediate hinge

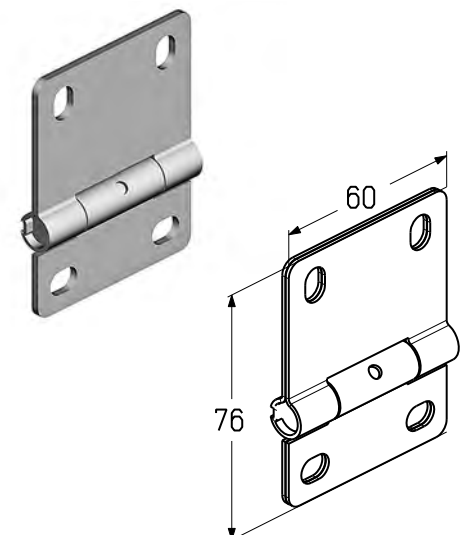
Designed for connecting door leaf panels in door leaf (not installed on panel ends together with side bracket RBI123).

Used without reinforcing profile (PRG-19, PRG-20):

- in garage doors with torsion springs of all mounting types and doors with tension springs;
- industrial doors of all mounting types;
- for connecting AluPro or AluTherm series panoramic sections.

Material stainless steel
Weight, kg/pcs. 0.111
Measure unit pcs.
Supply rate, pcs. 288

Article	Code
IH113	401190500



BRACKETS AND HINGES FOR DOOR LEAF ASSEMBLY

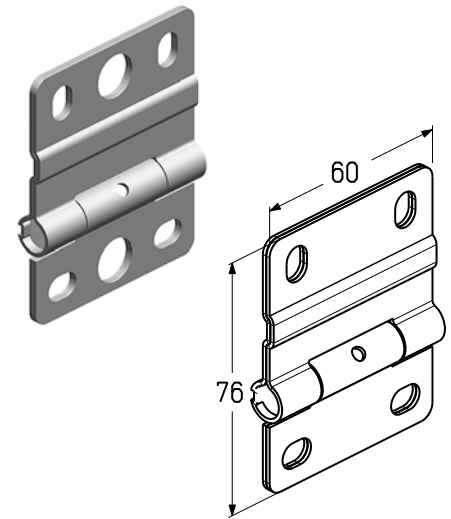
Intermediate hinge

Designed for connecting door leaf panels in door leaf together with side bracket (RBI123). Used in:

- garage doors with torsion springs of all mounting types;
- industrial doors of all mounting types;
- for connecting AluPro or AluTherm series panoramic sections.

Material stainless steel
 Weight, kg/pcs. 0.11
 Measure unit pcs.
 Supply rate, pcs. 288

Article	Code
IH-114	401190600



Intermediate hinge

Designed for connecting sandwich panels in door leaf (not installed on panel ends together with side bracket RBI123).

Used together with reinforcing profile (PRG-19) in:

- garage doors with torsion springs of all mounting types;
- industrial doors of all mounting types.

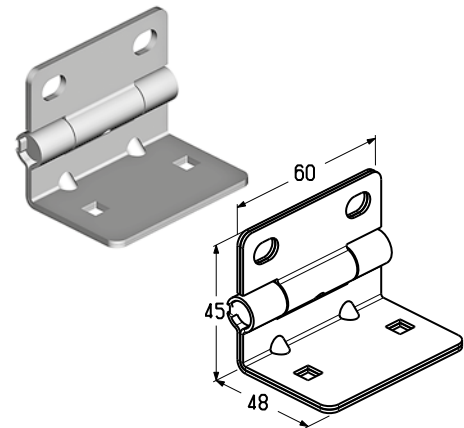
Designed for connecting panoramic panels of AluPro and AluTherm series in door leaf (not installed on panel ends together with side bracket RBI123).

Installed together with:

- door profile (PRD43, PRD53) if the opening width is from 4.005 to 5 m;
- reinforcing profile PRG-20 if the opening width is over 5 m.

Material stainless steel
 Weight, kg/pcs. 0.11
 Measure unit pcs.
 Supply rate, pcs. 300

Article	Code
IH111	401190100



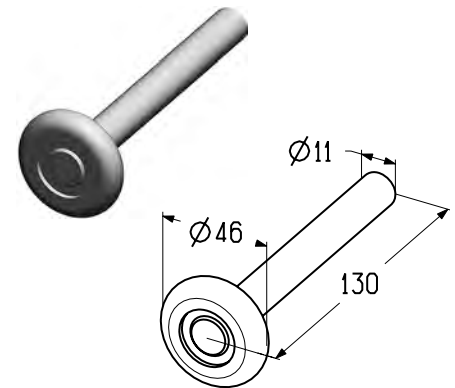
ROLLERS

Roller

Designed for installation into bottom bracket (RBI446L/R, RBI446ML/R).
Used in industrial doors of all mounting types.

Pin diameter, mm	11
Roller length, mm	130
Measure unit	pcs.
Supply rate, pcs.	100

Article	Code	Weight, kg/pcs.	Roller pin
R-130-11-G	401920000	0.143	Galvanized steel
R-130-11-SS	401920100	0.146	Stainless steel
R-130-11-GG	401920800	0.180	Galvanized steel

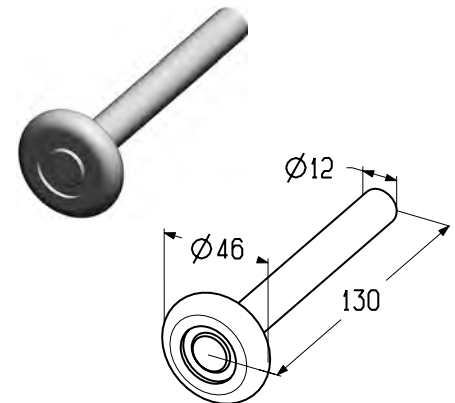


Roller

Designed for installation into roller plate (RP112, RP113) on side bracket (RBI123) and top bracket (RBI-45.127).
Used in industrial doors of all mounting types.

Pin diameter, mm	12
Roller length, mm	130
Measure unit	pcs.
Supply rate, pcs.	100

Article	Code	Weight, kg/pcs.	Roller pin
R-130-12-G	401920200	0.156	Galvanized steel
R-130-12-SS	401920300	0.168	Stainless steel

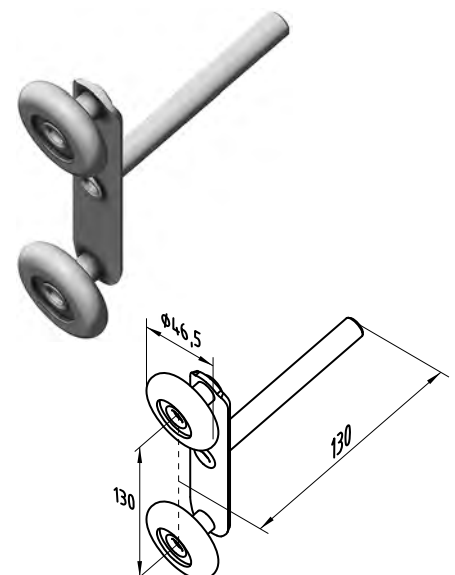


Roller

Designed for installation into roller plate (RP112, RP113) on side bracket (RBI123) and top bracket (RBI-45.127).
Used in garage doors of high mounting type.

Pin diameter, mm	12
Roller length, mm	130
Measure unit	pcs.
Supply rate, pcs.	40

Article	Code	Weight, kg/pcs.	Roller pin
R-130-12-SS-P	416000019	0.305	Stainless steel



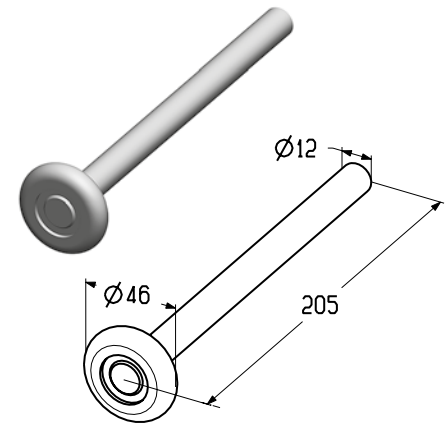
ROLLERS

Roller

Designed for installation into roller plate (RP121, RP122) on double side bracket (RBI123), double top bracket (RBI-45.127), bottom bracket (RBI-45.100DL/R, RBI-45.110DL/R, RBI-45.120L/R).
Used in garage and industrial doors of all mounting types with width from 5.005 to 6 m.

Pin diameter, mm	12
Roller length, mm	205
Measure unit	pcs.
Supply rate, pcs.	100

Article	Code	Weight, kg/pcs.	Roller pin
R-205-12-G	401920400	0.224	Galvanized steel
R-205-12-SS	401920500	0.228	Stainless steel

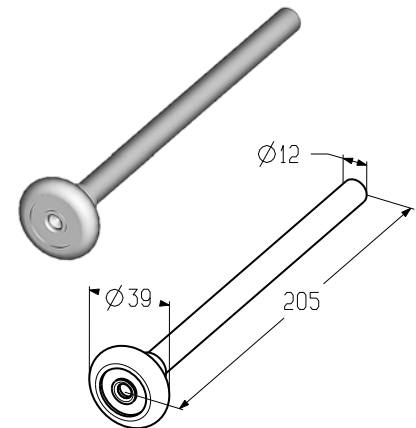


Roller

Designed for installation into roller plate (RP121, RP122) on double side bracket (RBI123), double top bracket (RBI-45.127), bottom bracket (RBI-45.100DL/R, RBI-45.110DL/R, RBI-45.120L/R).
Used in industrial doors of all mounting types with width over 6 m, except for the doors fitted with a set for premises with high humidity.

Pin diameter, mm	12
Roller length, mm	205
Measure unit	pcs.
Supply rate, pcs.	100

Article	Code	Weight, kg/pcs.	Roller pin
R-205-12-GG	401920900	0.255	Galvanized steel

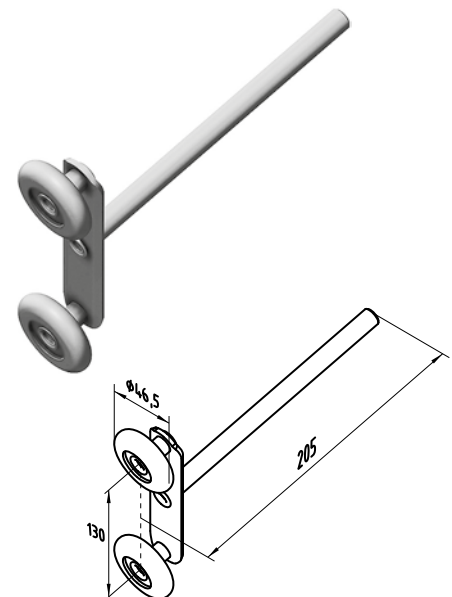


Roller

Designed for installation into roller plate (RP121, RP122) on double side bracket (RBI123), double top bracket (RBI-45.127).
Used in garage doors of all mounting types with width from 5.005 to 6 m.

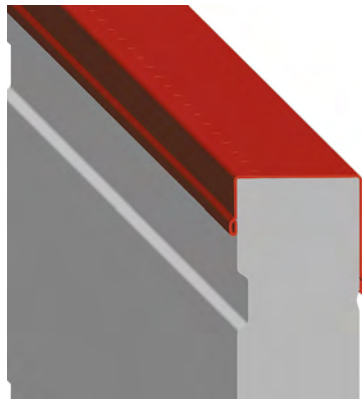
Pin diameter, mm	12
Roller length, mm	205
Measure unit	pcs.
Supply rate, pcs.	30

Article	Code	Weight, kg/pcs.	Roller pin
R-205-12-SS-P	416000020	0.370	Stainless steel

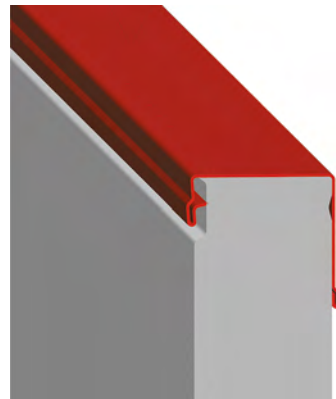


DOOR LEAF PROFILES

TOP END PROFILE INSTALLATION



**Top end profile
PRG-14**



**Top end profile
PRG-15**

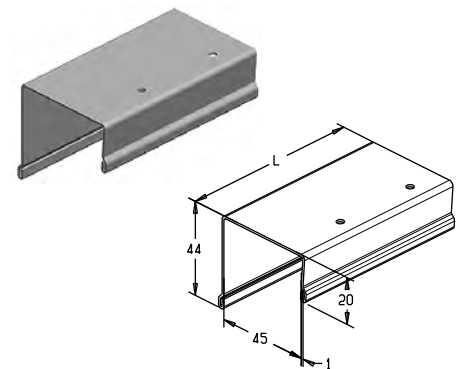
Top end profile

Designed for installation on top door leaf panel.

Used in:

- garage doors of all mounting types with tension and torsion springs;
- industrial doors of all mounting types.

Material galvanized steel
 Coating polymeric
 Colour grey-white (close to RAL 9002)
 Weight, kg/m 0.95
 Measure unit m



Article	Code	Length, mm	Supply rate, m
PRG-14	401411310	5720	572
		7040	704
		10040	1004

Top end profile

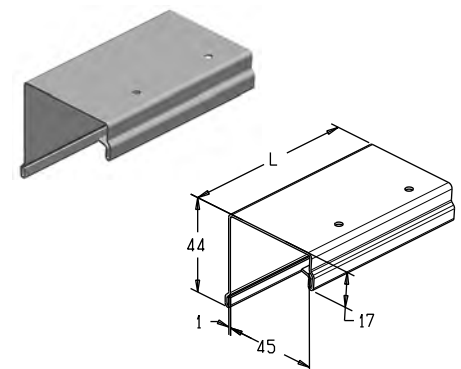
Designed for installation on top door leaf panel.

Used in:

- garage doors of all mounting types with tension and torsion springs;
- industrial doors of all mounting types.

Installed on sandwich panels with horizontal rib if the panel cut coincides with the groove.

Material galvanized steel
 Coating polymeric
 Colour grey-white (close to RAL 9002)
 Weight, kg/m 0.95
 Measure unit m



Article	Code	Length, mm	Supply rate, m
PRG-15	401411410	5720	457.6
		7040	563.2
		10040	803.2

DOOR LEAF PROFILES

BOTTOM END PROFILE INSTALLATION



Bottom end profile

Designed for installation on bottom door leaf panel.

Used in:

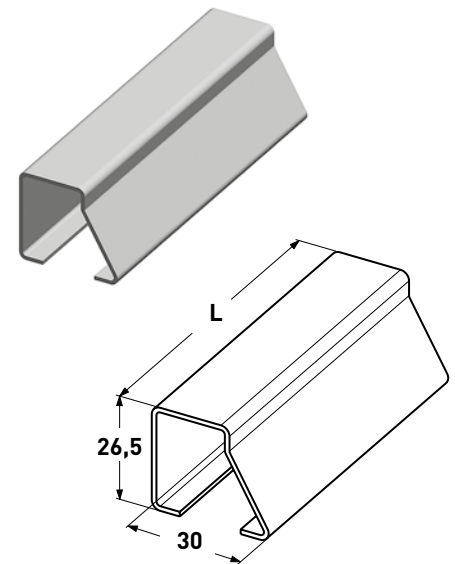
- garage doors of all mounting types with tension and torsion springs;
- industrial doors of all mounting types.

Material galvanized steel

Weight, kg/m 0.74

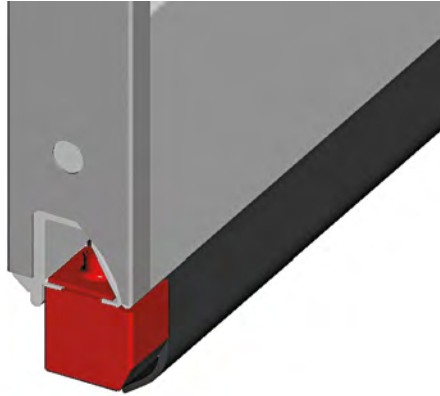
Measure unit m

Article	Code	Length, mm	Supply rate, m
PRG-11	401411000	5700	684
		7040	844.8
		10040	1204.8



DOOR LEAF PROFILES

BOTTOM STOPPER INSTALLATION



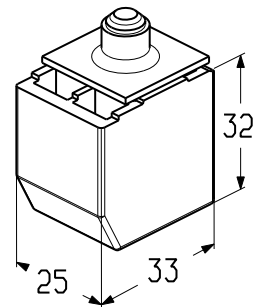
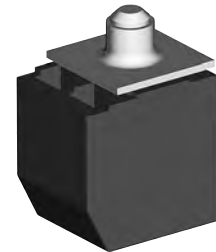
Bottom stopper

Designed for installation into bottom door profile (PRG-11).

Used in:

- garage doors of all mounting types with tension and torsion springs;
- industrial doors of all mounting types.

Material HDPE
 Weight, kg/pcs. 0.043
 Measure unit pcs.
 Supply rate, pcs..... 60



Article	Code
LS1016	401940300

DOOR LEAF PROFILES

FALSE PANEL INSTALLATION



Door profile

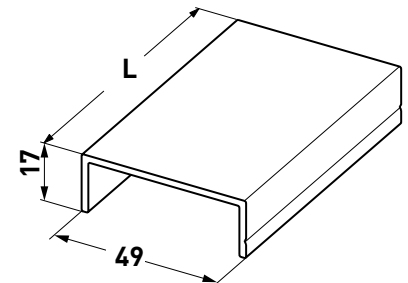
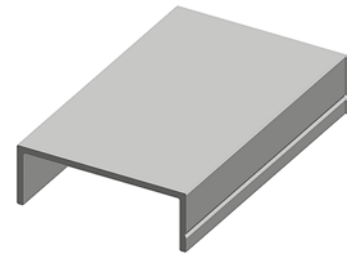
Designed for producing false panels.

Used in:

- garage doors of all mounting types with tension and torsion springs;
- industrial doors of all mounting types.

Length, mm	6000
Material	aluminium
Weight, kg/m	0.42
Measure unit	m
Supply rate, m	72

Article	Code	Coating	Colour*
PRD19S-6000	401420400	Anodized	A00-D6 (silver)
PRD19S	401420033	Powder	close to RAL 8019



Bracket

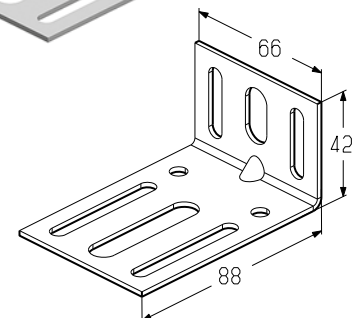
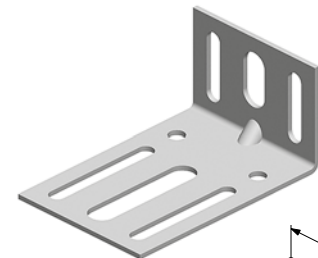
Designed for fixing the false panel to the headroom up to 65 mm.

Used in:

- garage doors of all mounting types with tension and torsion springs;
- industrial doors of all mounting types.

Material	galvanized steel
Weight, kg/pcs.	0.092
Measure unit	pcs.
Supply rate, pcs.	200

Article	Code
FPB5007	401820100



* Colours closely correspond to the RAL scale.

DOOR LEAF PROFILES

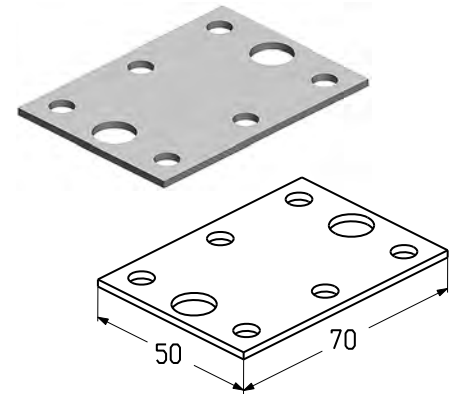
FALSE PANEL INSTALLATION

Plate

Designed for fixing the false panel to the headroom higher than 65 mm and to the side walls of the opening.
Used in:

- garage doors of all mounting types with tension and torsion springs;
- industrial doors of all mounting types.

Material galvanized steel
Weight, kg/pcs. 0.049
Measure unit pcs.
Supply rate, pcs. 300



Article	Code
FPP5008	401830100

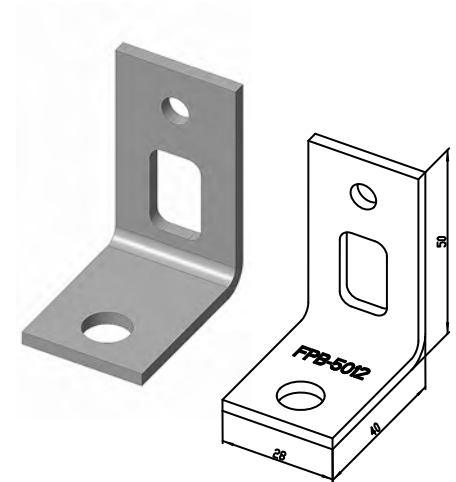
Bracket

Designed for fixing the false panel to the side walls of the opening.

Used in:

- garage doors of all mounting types with tension and torsion springs;
- industrial doors of all mounting types.

Material galvanized steel
Weight, kg/pcs. 0.053
Measure unit pcs.
Supply rate, pcs. 300



Article	Code
FPB-5012	406136755

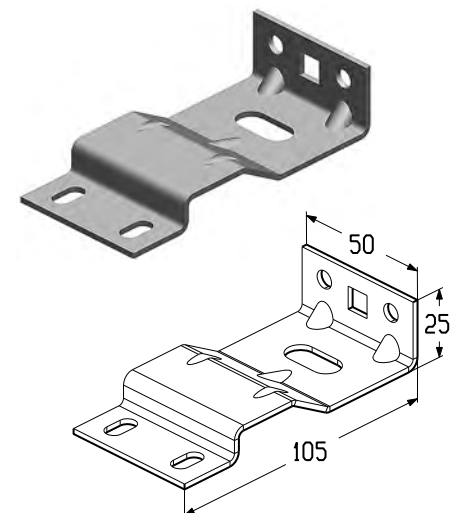
Bracket

Designed for fixing the false panel to the side walls of the opening. Installed together with angle profile (PRG32H, PRG02H, PRG01).

Used in:

- garage doors of high mounting type;
- industrial doors of high and vertical mounting types.

Material galvanized steel
Weight, kg/pcs. 0.101
Measure unit pcs.
Supply rate, pcs. 160



Article	Code
FPB5010	401820300

DOOR LEAF PROFILES

REINFORCING PROFILE INSTALLATION



Reinforcing profile

Used in garage doors of:

- standard and low mounting types with width over 5 m (as an option with width up to 5 m);
- high mounting type with width over 4.5 m (as an option with width up to 4.5 m).

Used in industrial doors of:

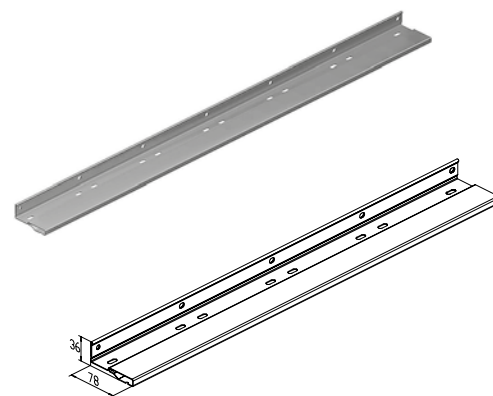
- all mounting types (except for high and vertical) with width over 5 m (as an option with width up to 5 m);
- high and vertical mounting types with width over 4.5 m (as an option with width up to 4.5 m).

Material galvanized steel

Weight, kg/m 1.52

Measure unit m

Article	Code	Length, mm	Supply rate, m
PRG-19	401437900	4290	257.40
		4620	277.20
		4950	297.00
		5610	366.60
		6600	396.00



Reinforcing profile

Used in garage doors with torsion springs and panoramic glazing (PO type) of:

- standard and low mounting types with width over 5 m (as an option with width up to 5 m);
- high mounting type with width over 4.5 m (as an option with width up to 4.5 m).

Used in industrial doors with panoramic glazing (ALP, ALPS, PO types) of:

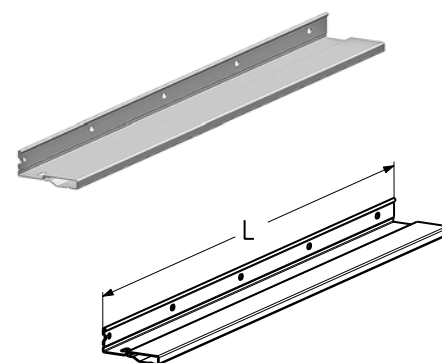
- all mounting types (except for high and vertical) with width over 5 m (as an option with width up to 5 m);
- high and vertical mounting types with width over 4.5 m (as an option with width up to 4.5 m).

Material galvanized steel

Weight, kg/m 1.52

Measure unit m

Article	Code	Length, mm	Supply rate, m
PRG-20	401438000	4620	277.20
		4950	297.00
		5610	336.60
		6600	396.00



DOOR LEAF PROFILES

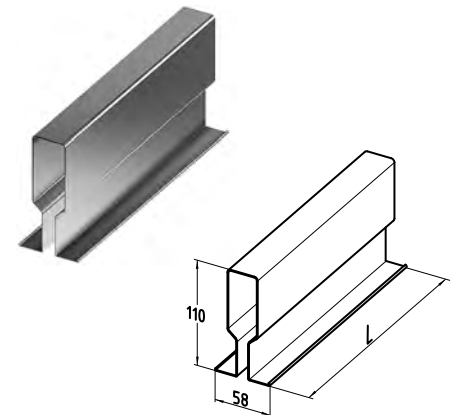
REINFORCING PROFILE INSTALLATION

Reinforcing profile

Used in industrial doors of all mounting types with width over 7 m.

Material galvanized steel
 Length, mm 8020
 Weight, kg/m 2.33
 Measure unit m
 Supply rate, m 200.5

Article	Code
PRG110-8020	401436000

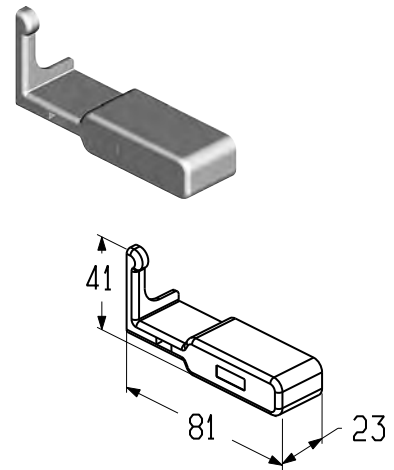


Cap

Installed together with reinforcing profile (PRG-19 and PRG-20).

Material ABS
 Weight, kg/pcs. 0.01
 Measure unit pcs.
 Supply rate, pcs. 630

Article	Code	Notes
P19R	401530500	Left
P19L	401530400	Right

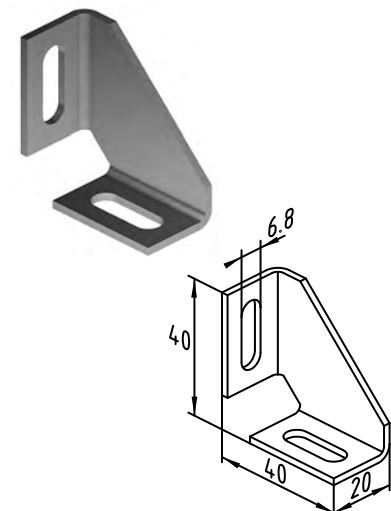


Reinforcing profile fixing bracket

Used in garage and industrial doors for fixing the reinforcing profile (PRG-19, PRG-20) on top panel with width over 5 m.

Material galvanized steel
 Weight, kg/pcs. 0.031
 Measure unit pcs.
 Supply rate, pcs. 300

Article	Code	Colour*
B-1015	401200900	—
B-1015	401201000	RAL 9002



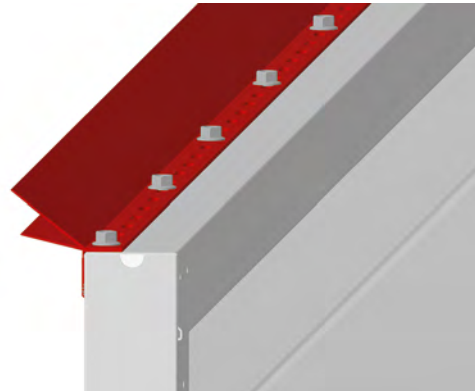
* Colours closely correspond to the RAL scale.

RUBBER SEALS

SEALING INSERT INSTALLATION



Bottom sealing insert



Top sealing insert

Bottom sealing insert

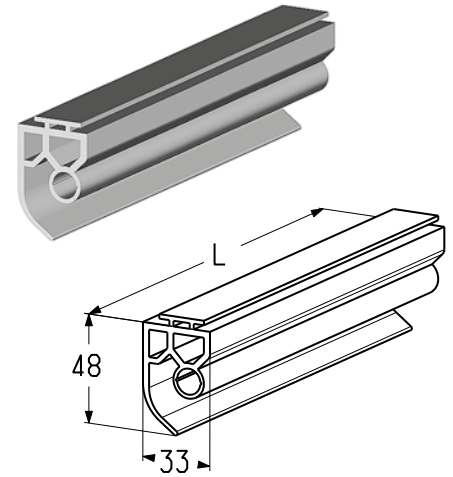
Designed for sealing the bottom part of the opening. Installed into the bottom end profile (PRG-11).

Used in:

- garage doors of all mounting types with tension and torsion springs;
- industrial doors of all mounting types.

Material	EPDM
Weight, kg/m	0.501
Measure unit	m
Supply rate, m	60

Article	Code
RSB20	417500204

**Top sealing insert**

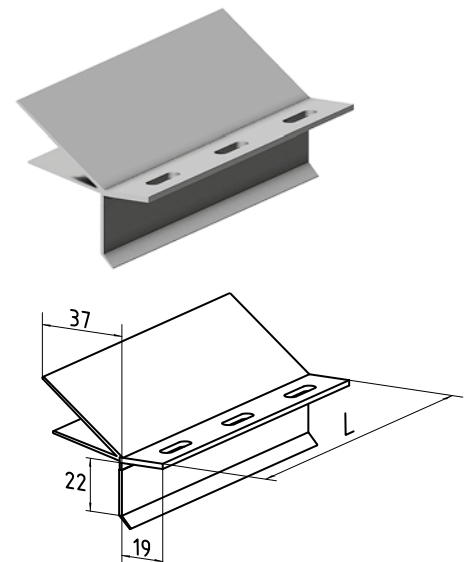
Designed for sealing the top part of the opening. Installed with the top end profile (PRG-14, PRG-15).

Used in:

- garage doors of high mounting type;
- industrial doors of all mounting types except for low.

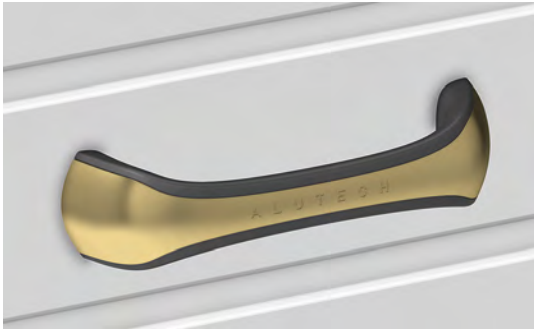
Material	RPVC + TPE
Weight, kg/m	0.30
Measure unit	m
Supply rate, m	180

Article	Code
RST01	401520100

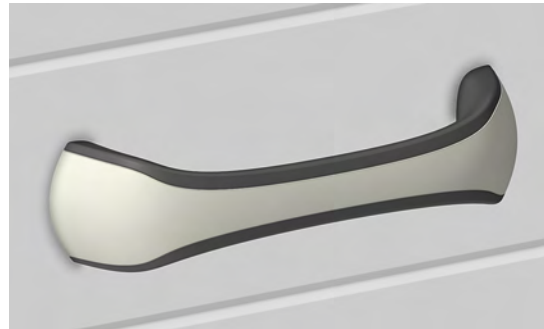


SECTIONAL DOOR ACCESSORIES

HANDLE INSTALLATION



Handle HGI009
Front side



Handle HGI009
Inner side

Handle

Designed for lifting the door leaf of garage doors of all mounting types with tension and torsion springs except for high mounting type.

The set includes:

- double-sided handle;
- cover for the inner handle, colour close to RAL 9002.

Material polyamide
 Colour black
 Weight, kg/pcs. 0.241
 Measure unit pcs.
 Supply rate, pcs. 1

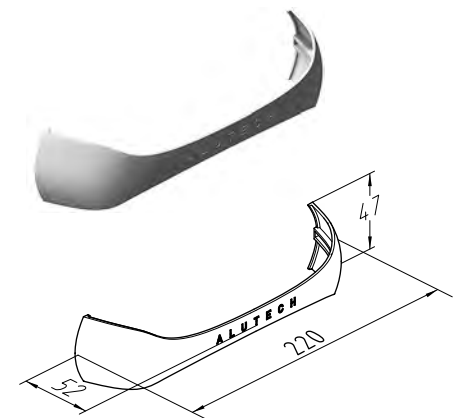


Article	Code
HGI009	418700072

Cover

Used together with handle (HGI009).

Material ABS
 Weight, kg/pcs. 0.02
 Measure unit pcs.
 Supply rate, pcs. 1



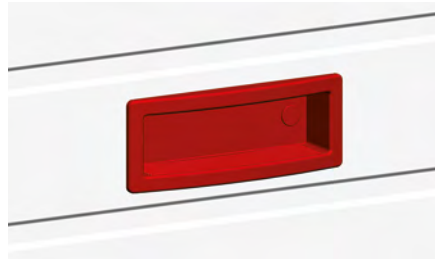
Article	Code	Colour (close to the RAL scale)
HGI009.002.01	418700100	RAL 9016
HGI009.002.02	418700101	RAL 8014
HGI009.002.03	418700102	RAL 9006
HGI009.002.04	418700103	RAL 5010
HGI009.002.09	418700104	RAL 6005
HGI009.002.10	418700105	RAL 1015
HGI009.002.12	418700106	RAL 3004
HGI009.002.15	418700107	RAL 9002
HGI009.002.16	418700108	RAL 7016
HGI009.002.17	418700109	RAL 8017
HGI009.002.18	418700110	RAL 9005
HGI009.002.19	418700111	Gold
HGI009.002.20	418700112	Silver
HGI009.002.22	418700192	Black chrome

SECTIONAL DOOR ACCESSORIES

HANDLE INSTALLATION



Handle HG008
Inner side



Handle HGI007
Front side

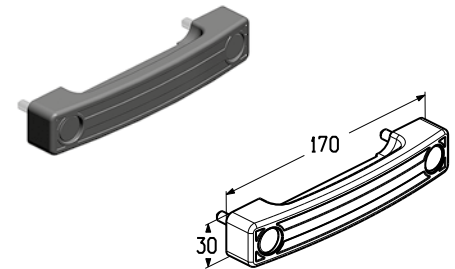


Handle HGI007
Inner side

Handle

Designed for lifting the door leaf of garage and industrial doors of all mounting types with tension and torsion springs without wicket or reinforcing profiles.
Installed on the inner side of doors.

Material	ABS
Colour	black
Weight, kg/pcs.	0.082
Measure unit	pcs.
Supply rate, pcs.	1

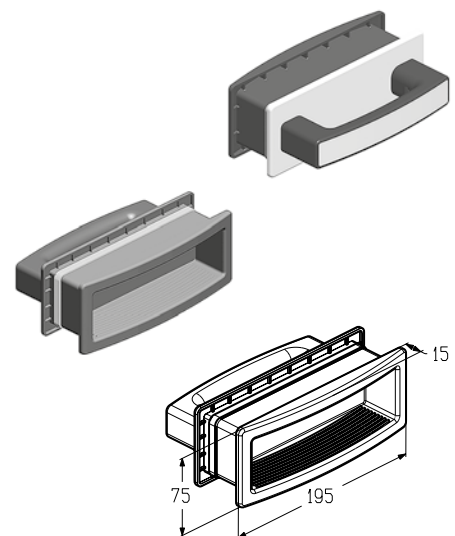


Article	Code
HG008	407410300

Handle

Designed for lifting the door leaf of industrial doors of all mounting types and garage doors of high mounting type.

Material	polypropylene
Colour	black
Weight, kg/pcs.	0.59
Measure unit	pcs.
Supply rate, pcs.	1



Article	Code
HGI007	407410200

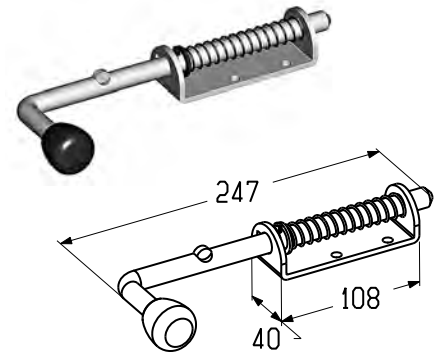
SECTIONAL DOOR ACCESSORIES

Locking bar

Designed for locking garage doors with torsion springs and industrial doors of all mounting types.

Material galvanized steel
 Weight, kg/pcs. 0.506
 Measure unit pcs.
 Supply rate, pcs. 20

Article	Code
SB0100	401960000

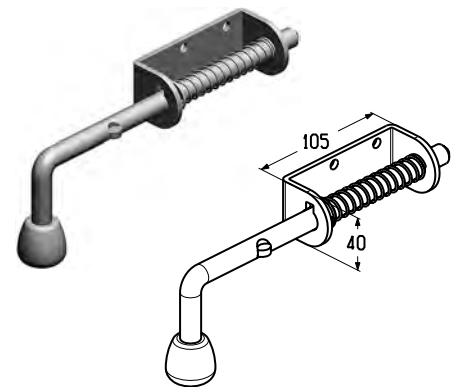


Locking bar

Designed for locking garage doors with tension springs.

Material galvanized steel
 Weight, kg/pcs. 0.583
 Measure unit pcs.
 Supply rate, pcs. 50

Article	Code
SB0101S	401960100

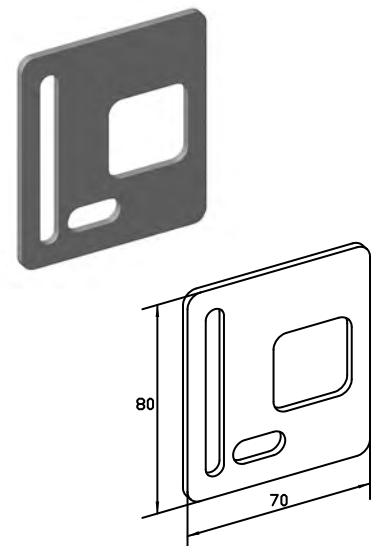


Bracket

Designed for installation together with angle profile and locking bars (SB0100 and SB0101S).
 Used in garage doors with tension springs and garage doors of all mounting types with torsion springs.

Material galvanized steel
 Weight, kg/pcs. 0.10
 Measure unit pcs.
 Supply rate, pcs. 200

Article	Code
LP-3009H	406136775



SECTIONAL DOOR ACCESSORIES

Release mechanism set

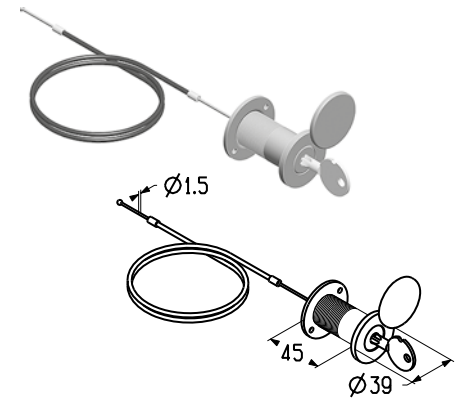
Designed to unblock rail type electric drives.

Used in:

- garage doors with tension springs and garage doors of all mounting types with torsion springs;
- industrial doors of low mounting types.

Measure unit.....	pcs.
Cable length, mm.....	4500
Weight, kg/pcs.	0.52
Supply rate, pcs.....	4

Article	Code
RM0104-4500	401971800



Release cable

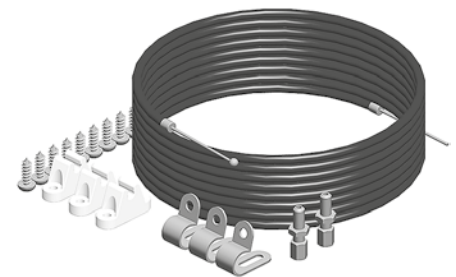
Designed to unblock rail type electric drives. Used together with RLG004 lock.

The set includes:

- release cable;
- set of fixing elements (self-tapping screws, braces, clips).

Measure unit.....	pcs.
Supply rate, pcs.....	1

Article	Code	Length, mm	Weight, kg/pcs.
RK-4500	401971600	4500	0.56
RK-6000	401971700	6000	0.65



SECTIONAL DOOR ACCESSORIES

INSTALLATION OF LOCKING DEVICE FOR GARAGE DOORS



Front side



Inner side

Lock set

Used for locking garage doors with tension and torsion springs except for high mounting type.
Used together with a set of handles (RLG004-02P).

Weight, kg/pcs. 2.231
Measure unit pcs.
Supply rate, pcs. 1

Article	Code
RLG004-01P	415700108



Set of handles

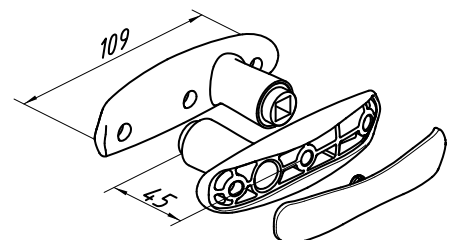
Used for locking garage doors with tension and torsion springs except for high mounting type. Used together with lock set (RLG004-01P).

Set includes:

- double-sided handle;
- cover for the inner handle, colour close to RAL 9002.

Weight, kg/pcs. 0.361
Measure unit pcs.
Supply rate, pcs. 1

Article	Code
RLG004-02P	415700109



SECTIONAL DOOR ACCESSORIES

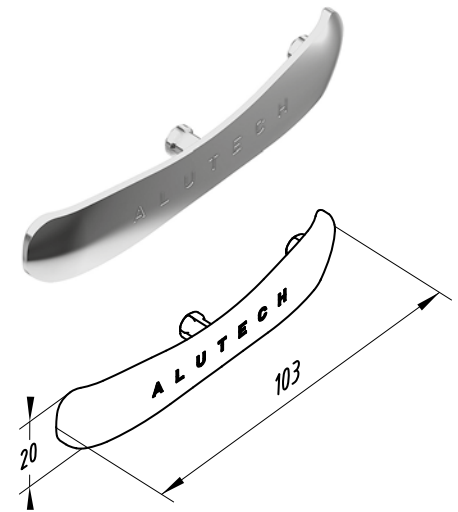
INSTALLATION OF LOCKING DEVICE FOR GARAGE DOORS

Cover

Used together with a set of handles (RLG004-02P).

Material ABS
 Weight, kg/pcs. 0.01
 Measure unit pcs.
 Supply rate, pcs. 1

Article	Code	Colour (close to the RAL scale)
418700074	RLG004.226.01	RAL 9016
418700075	RLG004.226.02	RAL 8014
418700076	RLG004.226.03	RAL 9006
418700077	RLG004.226.04	RAL 5010
418700078	RLG004.226.09	RAL 6005
418700079	RLG004.226.10	RAL 1015
418700080	RLG004.226.12	RAL 3004
418700081	RLG004.226.15	RAL 9002
418700082	RLG004.226.16	RAL 7016
418700083	RLG004.226.17	RAL 8017
418700084	RLG004.226.18	RAL 9005
418700085	RLG004.226.19	Gold
418700086	RLG004.226.20	Silver
418700195	RLG004.226.22	Black chrome



1.1

1.2

1.3

1.4

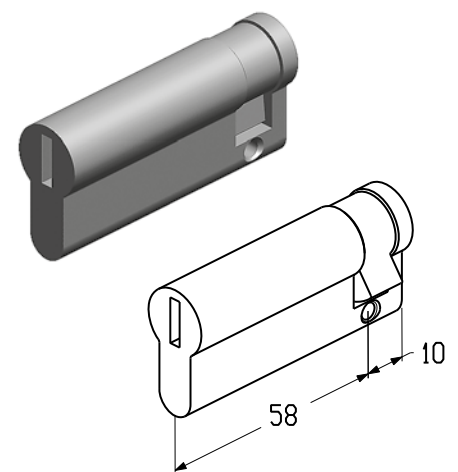
1.5

Lock cylinder 10/58 mm

Used together with lock set (RLG004-01P).

Weight, kg/pcs. 0.202
 Measure unit pcs.
 Supply rate, pcs. 1

Article	Code
C-10/58	418700053



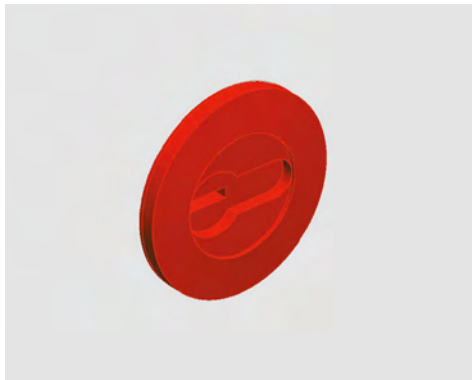
2

3

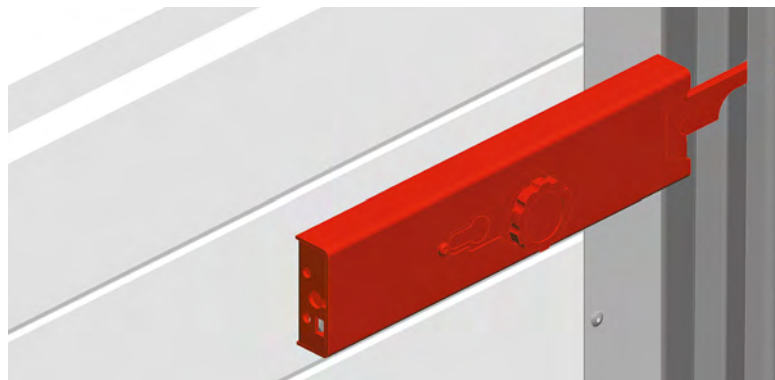
4

SECTIONAL DOOR ACCESSORIES

INSTALLATION OF LOCK FOR INDUSTRIAL DOORS



Front side



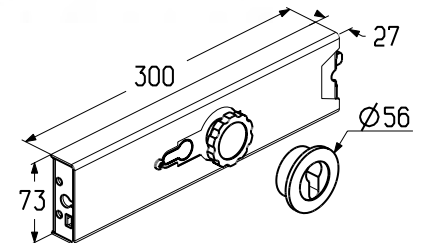
Inner side

Lock

Designed for locking the industrial doors of all mounting types.
Used together with lock cylinder 9/57 mm (C-9/57).

Weight, kg/pcs. 1.85
Measure unit pcs.
Supply rate, pcs. 3

Article	Code
RLI0103	401970600

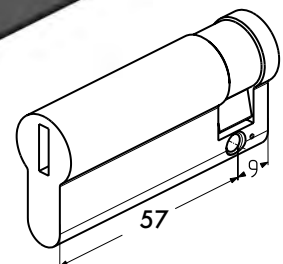


Lock cylinder 9/57 mm

Designed for locking the industrial doors of all mounting types.
Used together with lock (RLI0103).

Weight, kg/pcs. 0.25
Measure unit pcs.
Supply rate, pcs. 3

Article	Code
C-9/57	401970700



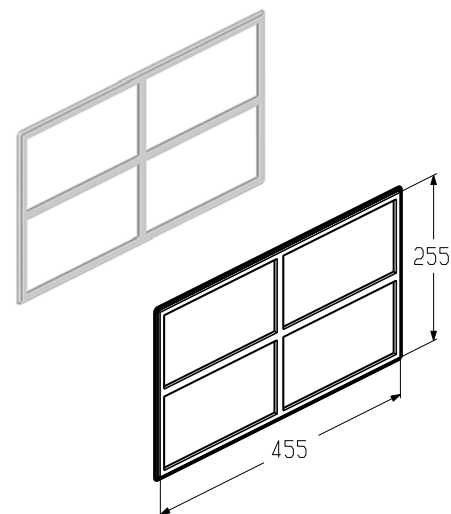
SECTIONAL DOOR ACCESSORIES

Decorative insert Cross

Designed for installation with windows (W043WH-CG/TG, W043BR-CG/TG).

Weight, kg/pcs. 1.1
 Measure unit pcs.
 Supply rate, pcs. 80

Article	Code	Notes
DIC043WH	401983400	White
DIC043BR	401983500	Brown



Set of decorative inserts Sunrise 3

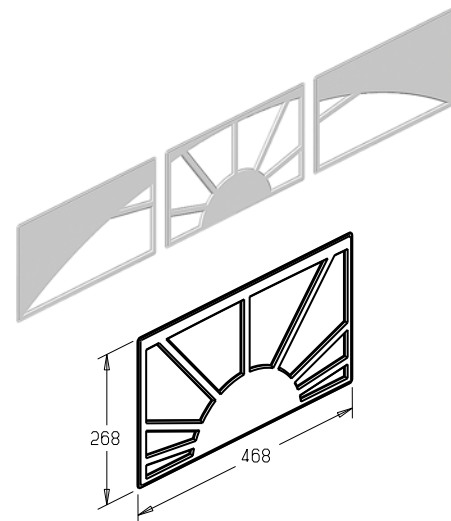
Designed for installation with windows (W043WH-CG/TG, W043BR-CG/TG).

Used in:

- garage doors of all mounting types with tension and torsion springs;
- industrial doors of all mounting types.

Weight, kg/pcs. 0.49
 Measure unit pcs.
 Supply rate, pcs. 20

Article	Code	Notes
DIS043WH-3	401982500	White
DIS043BR-3	401981900	Brown

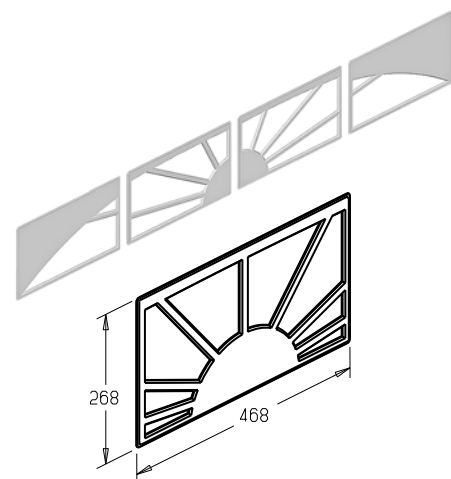


Set of decorative inserts Sunrise 4

Designed for installation with windows (W043WH-CG/TG, W043BR-CG/TG).

Weight, kg/pcs. 0.58
 Measure unit pcs.
 Supply rate, pcs. 20

Article	Code	Notes
DIS043WH-4	401981500	White
DIS043BR-4	401982600	Brown



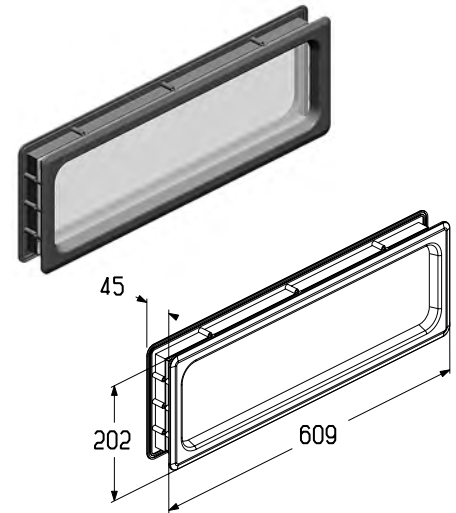
SECTIONAL DOOR ACCESSORIES

Window

Used in garage doors with tension springs and garage doors of all mounting types with torsion springs, and in industrial doors of all mounting types with Microwave, S-, M-, L-ribbed panels.

Material SAN
Weight, kg/pcs. 1.3
Measure unit pcs.
Supply rate, pcs. 12

Article	Code
W085	401980400

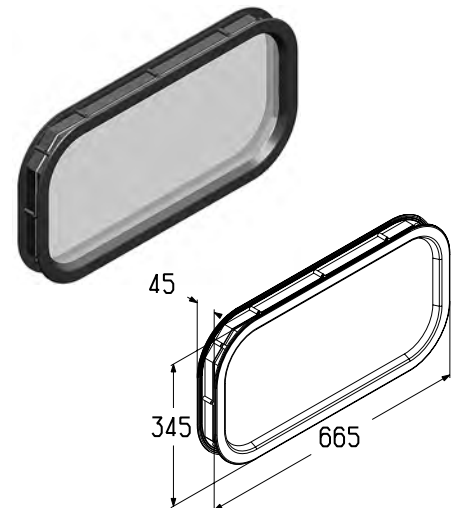


Window

Used for garage doors with tension springs and garage doors of all mounting types with torsion springs, and in industrial doors of all mounting types with Microwave, S-, M-, L-ribbed panels.

Material SAN
Weight, kg/pcs. 2.1
Measure unit pcs.
Supply rate, pcs. 8

Article	Code
W095	401980500

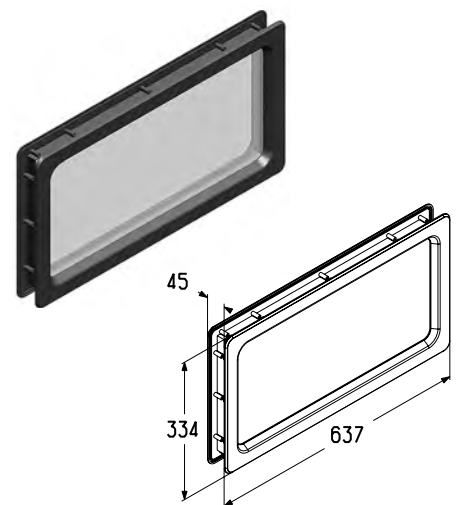


Window

Used for garage doors with tension springs and garage doors of all mounting types with torsion springs, and in industrial doors of all mounting types with Microwave, S-, M-, L-ribbed panels.

Material SAN
Weight, kg/pcs. 2.3
Measure unit pcs.
Supply rate, pcs. 8

Article	Code
W046	401980100



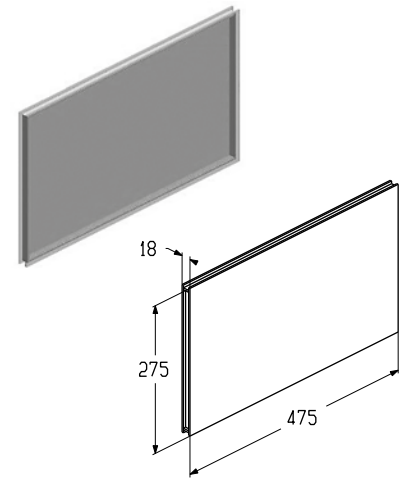
SECTIONAL DOOR ACCESSORIES

Transparent infill

Used as part of windows art. W043WH-CG, W043BR-CG, W043WH-TG, W043BR-TG for glazing in garage and industrial doors with Microwave, S-, M-, L-ribbed and Cassette panels.
Used together with the set of frames art. W043-WH, W043-BR.

Material	SAN
Weight, kg/pcs.	1.15
Measure unit	pcs.
Supply rate, pcs.	10

Article	Code	Type of glazing
W043-CG	401985900	Crystal SAN-glazing
W043-TG	401986000	Transparent SAN-glazing

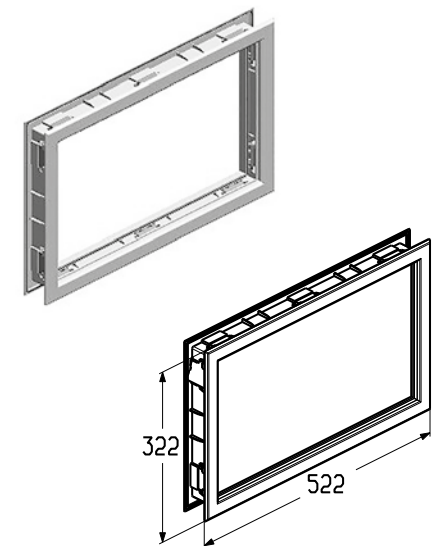


Set of frames

Used as part of windows art. W043WH-CG, W043BR-CG, W043WH-TG, W043BR-TG for glazing in garage and industrial doors with Microwave, S-, M-, L-ribbed and Cassette panels.
Used together with transparent infill art. W043-CG, W043-TG.

Material	ABS
Weight, kg/pcs.	1.95
Thickness, mm	45
Measure unit	pcs.
Supply rate, pcs.	10

Article	Code	Outside frame colour
W043-WH	401986500	White
W043-BR	401986600	Brown

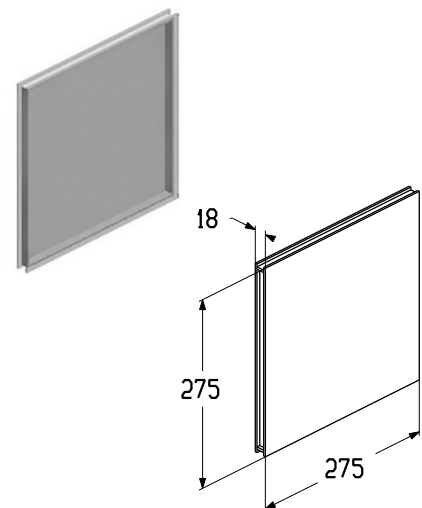


Transparent infill

Used as part of windows art. W050WH-CG, W050BR-CG, W050WH, W050BR for glazing in garage and industrial doors with Microwave, S-, M-, L-ribbed panels.
Used together with the set of frames art. W050-WH, W050-BR.

Material	SAN
Weight, kg/pcs.	0.97
Measure unit	pcs.
Supply rate, pcs.	10

Article	Code	Type of glazing
W050-CG	401986300	Crystal SAN-glazing
W050-TG	401986100	Transparent SAN-glazing



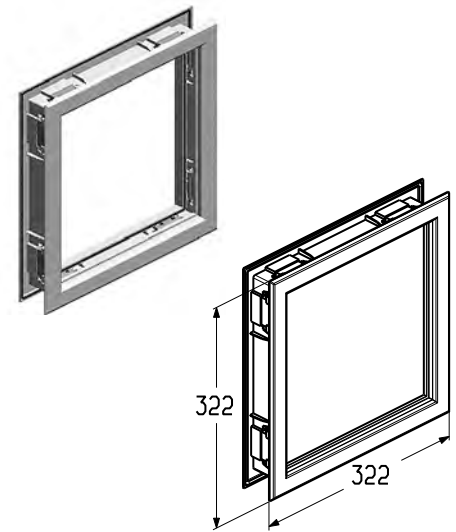
SECTIONAL DOOR ACCESSORIES

Set of frames

Used as part of windows art. W050WH-CG, W050BR-CG, W050WH, W050BR for glazing in garage and industrial doors with Microwave, S-, M-, L-ribbed panels.
Used together with transparent infill art. W050-CG, W050-TG.

Material	ABS
Weight, kg/pcs.	1.59
Thickness, mm	45
Measure unit	pcs.
Supply rate, pcs.	10

Article	Code	Outside frame colour
W050-WH	401986700	White
W050-BR	401986800	Brown

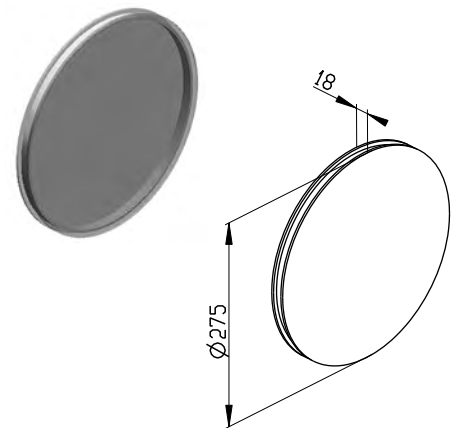


Transparent infill

Used as part of windows art. W060WH-CG, W060BR-CG, W060WH, W060BR for glazing in garage and industrial doors with Microwave, S-, M-, L-ribbed panels.
Used together with the set of frames art. W060-WH, W060-BR.

Material	SAN
Weight, kg/pcs.	0.98
Measure unit	pcs.
Supply rate, pcs.	10

Article	Code	Type of glazing
W060-CG	401986400	Crystal SAN-glazing
W060-TG	401986200	Transparent SAN-glazing



Set of frames

Used as part of windows art. W060WH-CG, W060BR-CG, W060WH, W060BR for glazing in garage and industrial doors with Microwave, S-, M-, L-ribbed panels.
Used together with transparent infill art. W060-CG, W060-TG.

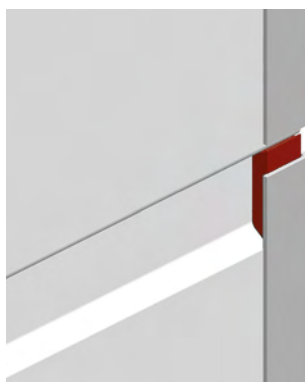
Material	ABS
Weight, kg/pcs.	1.47
Thickness, mm	45
Measure unit	pcs.
Supply rate, pcs.	10

Article	Code	Outside frame colour
W060-WH	401986900	White
W060-BR	401987000	Brown



SECTIONAL DOOR ACCESSORIES

INTERMEDIATE END CAP AND END CAP INSTALLATION



Intermediate end cap
P-1501



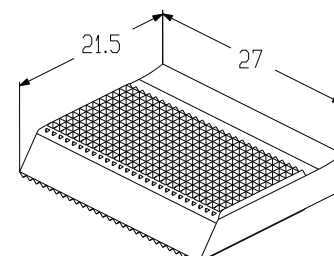
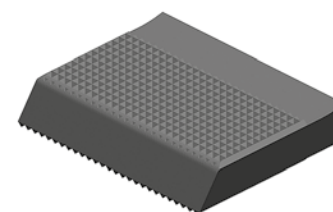
End cap
P-1502

Intermediate end cap

Installed together with side cap (EC-45.450R/L, EC-45.500R/L, EC-45.625R/L).

Used in garage doors with tension springs and garage doors of all mounting types with torsion springs, industrial doors of all mounting types with S-, M- and L-ribbed panels.

Material	TPER
Weight, kg/pcs.	0.003
Measure unit	pcs.
Supply rate, pcs.	5000



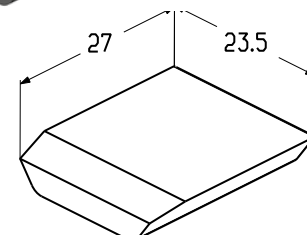
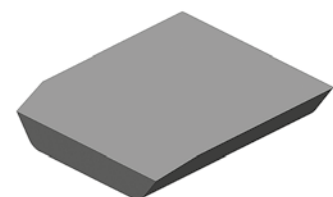
Article	Code
P-1501	401990100

End cap

Installed together with side cap (EC-45.450R/L, EC-45.500R/L, EC-45.625R/L).

Used in garage doors with tension springs and garage doors of all mounting types with torsion springs, industrial doors of all mounting types with S- and M-ribbed panels.

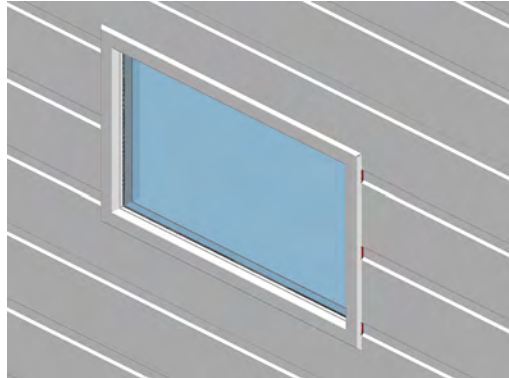
Material	TPER
Weight, kg/pcs.	0.001
Measure unit	pcs.
Supply rate, pcs.	5000



Article	Code
P-1502	401990200

SECTIONAL DOOR ACCESSORIES

WINDOW END CAP INSTALLATION



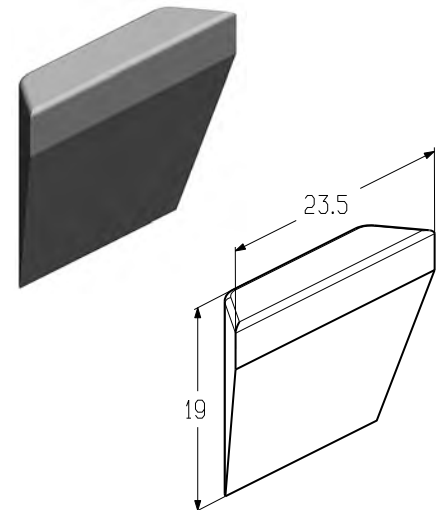
Window end cap

Window end cap

Installed together with windows (W085, W095, W046, W043WH-CG/TG, W043BR-CG/TG, W050WH/BR, W050WH/BR-CG, W060WH/BR, W060WH/BR-CG).

Used in garage doors with tension springs and garage doors of all mounting types with torsion springs, industrial doors with S- and M-ribbed panels.

Material polyurethane
 Weight, kg/pcs. 0.002
 Measure unit pcs.
 Supply rate, pcs. 6000



Article	Code
P1012	401982400

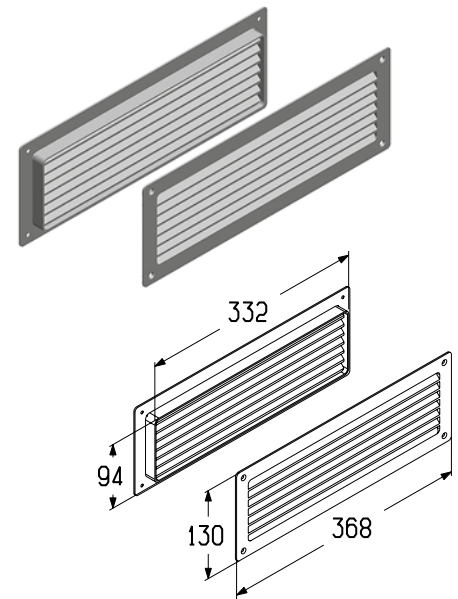
SECTIONAL DOOR ACCESSORIES

Air grid

Used in garage doors with tension springs and garage doors of all mounting types with torsion springs, in industrial doors of all mounting types with Microwave, S-, M- and L-ribbed panels.

Material plastic
 Weight, kg/set 0.48
 Measure unit set
 Supply rate, set 10

Article	Code	Type	Outside colour	Set contents		
				Article	Code	Quantity
VG-368RWH	401900000	adjustable	White	MV350Rs-W	4000358	1
				MV350s-W	4000357	1
				3.9×19 drill	1598	8
VG-368RBK	401900100	adjustable	Black	MV350Rs-W	4000358	1
				MV350s-B	4000359	1
				3.9×19 drill	1598	8
VG-368WH	401900200	non-adjustable	White	MV350s-W	4000357	2
				3.9×19 drill	1598	8
VG-368BK	401900300	non-adjustable	Black	MV350s-W	4000357	1
				MV350s-B	4000359	1
				3.9×19 drill	1598	8



1.1

1.2

1.3

1.4

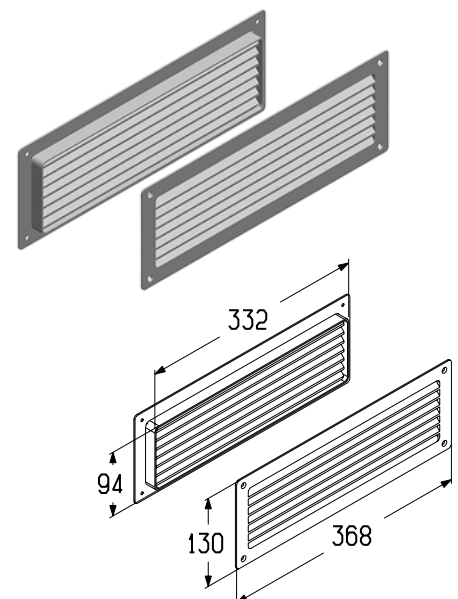
1.5

Adjustable air grid (white)

Non-adjustable air grid (white/black)

Material plastic
 Measure unit set
 Supply rate, set 10

Article	Code	Type of air grid	Weight, kg	Colour
MV350Rs-W	4000358	adjustable	0.24	White
MV350s-W	4000357	non-adjustable	0.16	White
MV350s-B	4000359	non-adjustable	0.17	Black



2

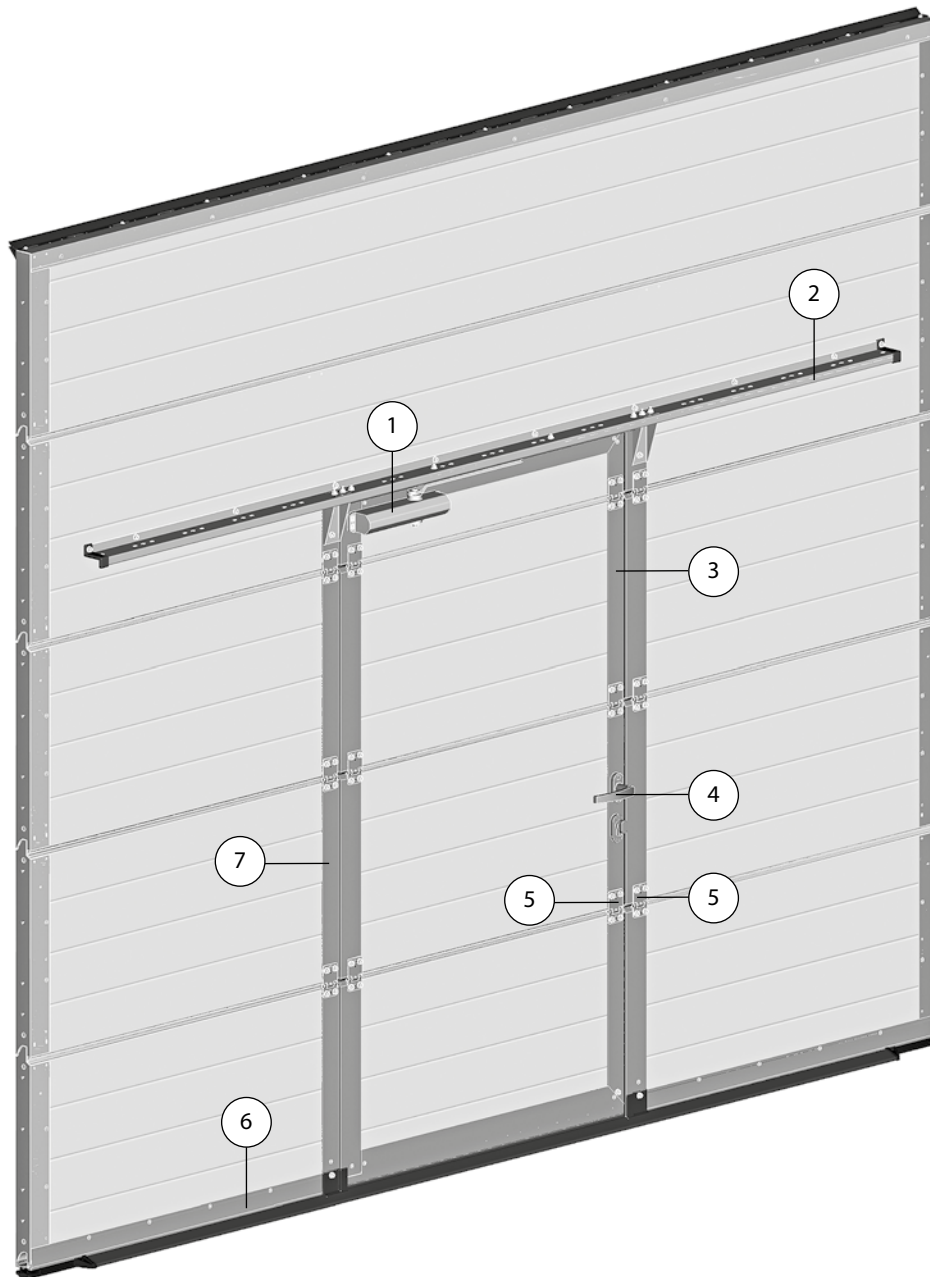
3

4

1.3

Inbuilt wicket

**STANDARD DESIGN OF WICKET
WITH FLAT THRESHOLD 20 MM**



No.	Item
1	Door closer
2	Reinforcing profile (PRG-17)
3	Wicket framing
4	Set of handles
5	Intermediate hinge
6	Door profile (PRD70)
7	Opening framing

1.1

1.2

1.3

1.4

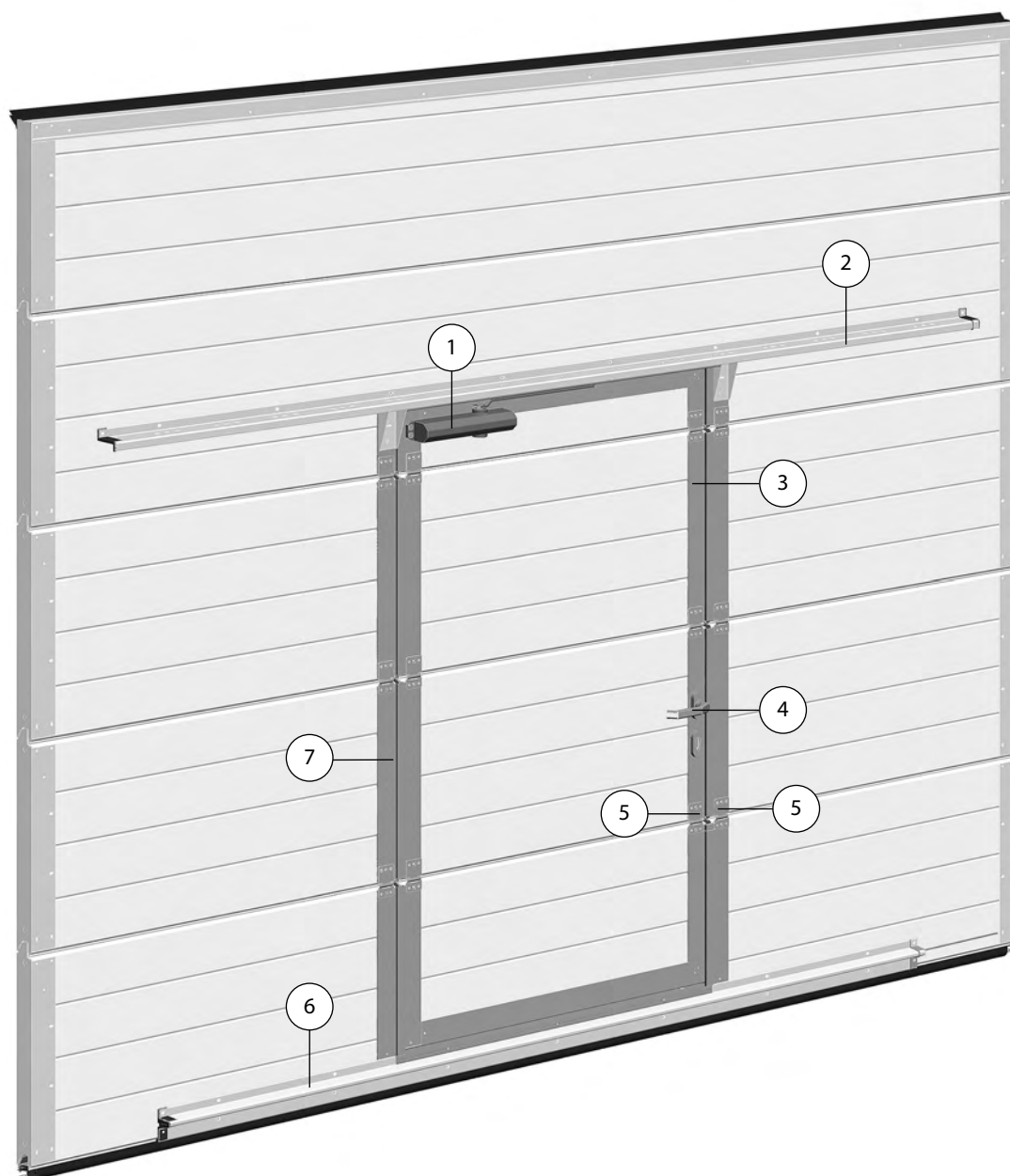
1.5

2

3

4

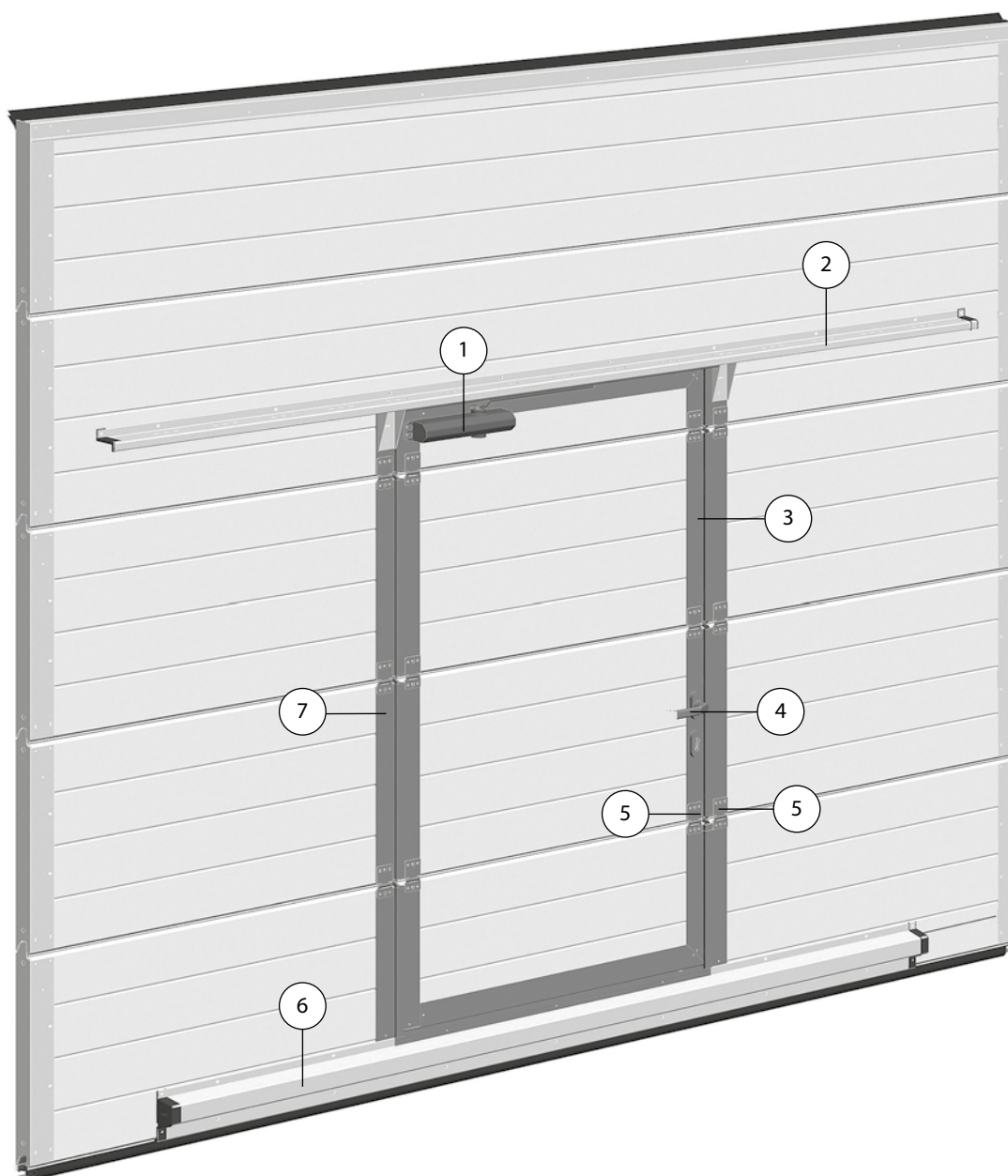
STANDARD DESIGN OF WICKET WITH LOW THRESHOLD 100 MM



No.	Item
-----	------

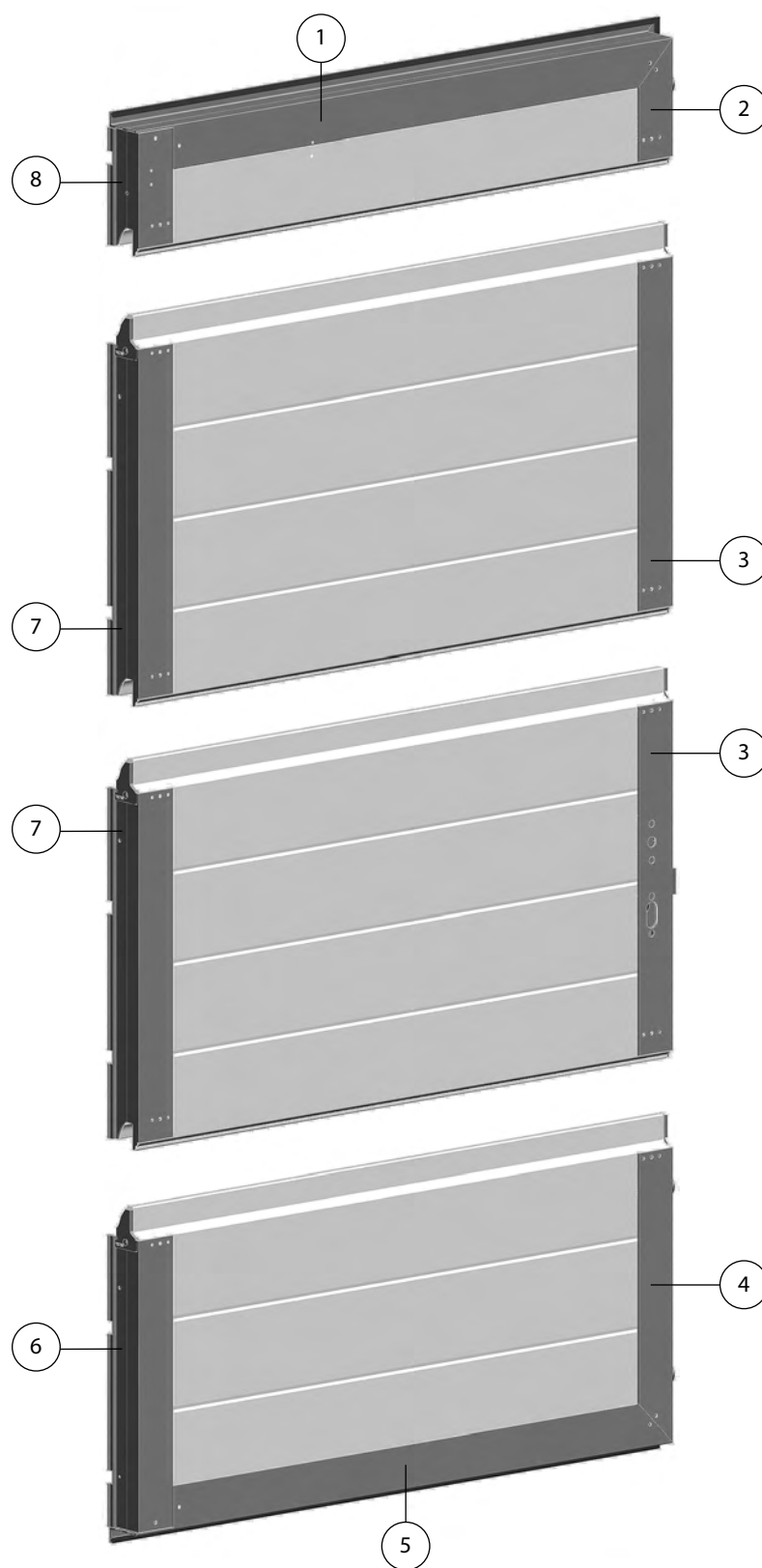
- | | |
|---|------------------------------|
| 1 | Door closer |
| 2 | Reinforcing profile (PRG-17) |
| 3 | Wicket framing |
| 4 | Set of handles |
| 5 | Intermediate hinge |
| 6 | Reinforcing profile (PRG-12) |
| 7 | Opening framing |

**STANDARD DESIGN OF WICKET
WITH STANDARD THRESHOLD 145 MM**



No.	Item
1	Door closer
2	Reinforcing profile (PRG-17)
3	Wicket framing
4	Set of handles
5	Intermediate hinge
6	Reinforcing profile (PRG-13)
7	Opening framing

WICKET FRAMING



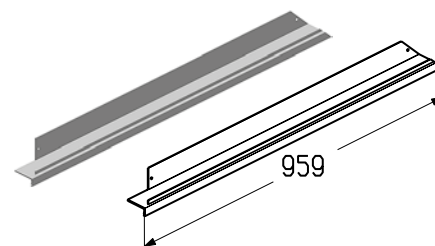
No.	Item
1	Wicket top framing
2	Upper wicket framing
3	Middle wicket framing
4	Lower wicket framing
5	Wicket bottom framing
6	Bottom wicket hinge
7	Middle wicket hinge
8	Top wicket hinge

WICKET FRAMING

Wicket top framing

Designed for framing the top wicket panel.
Used in wicket with flat, standard and low threshold.

Length, mm 959
Material aluminium
Weight, kg/pcs. 0.751
Measure unit pcs.
Supply rate, pcs. 10

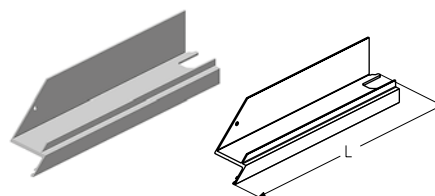


Article	Code	Coating	Colour	Application
WD403R.203	404010891	Anodized	A00-D6 (silver)	For doors with right-hinged wicket
WD403R.203	404011333	Powder	close to RAL 8019	
WD403L.203	404010991	Anodized	A00-D6 (silver)	For doors with left-hinged wicket
WD403L.203	404011433	Powder	close to RAL 8019	

Upper wicket framing

Designed for framing the top wicket panel.
Used in wicket with flat, standard and low threshold.

Material aluminium
Measure unit pcs.
Supply rate, pcs. 10

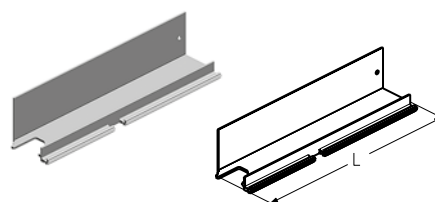


Article	Code	Coating	Colour*	Length, mm	Weight, kg/pcs.	Application
WD403R.202	404010491	Anodized	A00-D6 (silver)	191	0.136	For doors with right-hinged wicket
WD403R.202	404011033	Powder	close to RAL 8019	191	0.136	
WD404R.202	404010691	Anodized	A00-D6 (silver)	316	0.225	
WD404R.202	404011133	Powder	close to RAL 8019	316	0.225	
WD403L.202	404010591	Anodized	A00-D6 (silver)	191	0.136	For doors with left-hinged wicket
WD403L.202	404011533	Powder	close to RAL 8019	191	0.136	
WD404L.202	404010791	Anodized	A00-D6 (silver)	316	0.225	
WD404L.202	404011233	Powder	close to RAL 8019	316	0.225	

Top wicket hinge

Designed for framing the top wicket panel.
Used in wicket with flat, standard and low threshold.

Material aluminium
Measure unit pcs.
Supply rate, pcs. 10



Article	Code	Coating	Colour*	Length, mm	Weight, kg/pcs.	Application
WD403R.201	404010091	Anodized	A00-D6 (silver)	169	0.129	For doors with right-hinged wicket
WD403R.201	404010633	Powder	close to RAL 8019	169	0.129	
WD404R.201	404010291	Anodized	A00-D6 (silver)	294	0.225	
WD404R.201	404010833	Powder	close to RAL 8019	294	0.225	
WD403L.201	404010191	Anodized	A00-D6 (silver)	169	0.129	For doors with left-hinged wicket
WD403L.201	404010733	Powder	close to RAL 8019	169	0.129	
WD404L.201	404010391	Anodized	A00-D6 (silver)	294	0.225	
WD404L.201	404010933	Powder	close to RAL 8019	294	0.225	

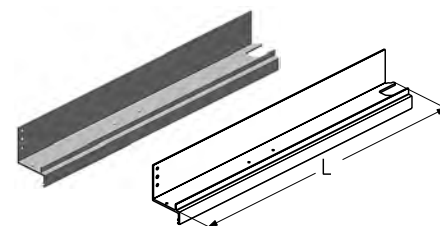
* Colours closely correspond to the RAL scale.

WICKET FRAMING

Middle wicket framing

Designed for framing the third or fourth wicket panels.
Used in wicket with flat, standard and low threshold.

Material aluminium
Measure unit pcs.
Supply rate, pcs. 10

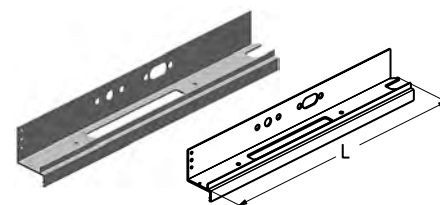


Article	Code	Coating	Colour*	Length, mm	Weight, kg/pcs.	Application
WD350R.202	404021291	Anodized	A00-D6 (silver)	490.5	0.393	For doors with right-hinged wicket
WD350R.202	404021833	Powder	close to RAL 8019	490.5	0.393	
WD360R.202	404021491	Anodized	A00-D6 (silver)	615.5	0.493	
WD360R.202	404022033	Powder	close to RAL 8019	615.5	0.493	
WD350L.202	404021391	Anodized	A00-D6 (silver)	490.5	0.393	For doors with left-hinged wicket
WD350L.202	404021933	Powder	close to RAL 8019	490.5	0.393	
WD360L.202	404021591	Anodized	A00-D6 (silver)	615.5	0.493	
WD360L.202	404022133	Powder	close to RAL 8019	615.5	0.493	

Middle wicket framing

Designed for framing the second or third wicket panels.
Used in wicket with flat, standard and low threshold.

Material aluminium
Measure unit pcs.
Supply rate, pcs. 10

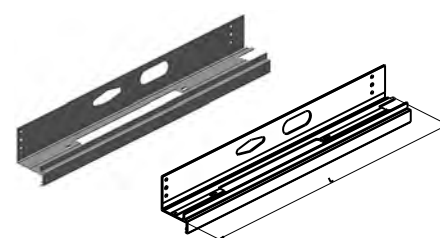


Article	Code	Coating	Colour*	Length, mm	Weight, kg/pcs.	Application
WD250R.202	404020491	Anodized	A00-D6 (silver)	490.5	0.365	For doors with right-hinged wicket
WD250R.202	404021033	Powder	close to RAL 8019	490.5	0.365	
WD260R.202	404020691	Anodized	A00-D6 (silver)	615.5	0.458	
WD260R.202	404021233	Powder	close to RAL 8019	615.5	0.458	
WD250L.202	404020591	Anodized	A00-D6 (silver)	490.5	0.365	For doors with left-hinged wicket
WD250L.202	404021133	Powder	close to RAL 8019	490.5	0.365	
WD260L.202	404020791	Anodized	A00-D6 (silver)	615.5	0.458	
WD260L.202	404021333	Powder	close to RAL 8019	615.5	0.458	

Middle wicket framing

Designed for framing the second or third wicket panels.
Used in wicket with flat, standard and low threshold.

Material aluminium
Measure unit pcs.
Supply rate, pcs. 10



Article	Code	Coating	Colour* Degree of gloss	Length, mm	Weight, kg/pcs.	Application
WD250R.202KfV	407910265	Anodized	A00-D6 (silver)	490.5	0.362	For doors with right-hinged wicket
WD250R.202KfV	407910264	Powder	close to RAL 8019 30	490.5	0.362	
WD260R.202KfV	407910269	Anodized	A00-D6 (silver)	615.5	0.454	
WD260R.202KfV	407910268	Powder	close to RAL 8019 30	615.5	0.454	
WD250L.202KfV	407910319	Anodized	A00-D6 (silver)	490.5	0.362	For doors with left-hinged wicket
WD250L.202KfV	407910318	Powder	close to RAL 8019 30	490.5	0.362	
WD260L.202KfV	407910323	Anodized	A00-D6 (silver)	615.5	0.454	
WD260L.202KfV	407910322	Powder	close to RAL 8019 30	615.5	0.454	

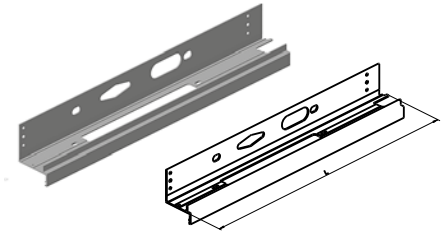
* Colours closely correspond to the RAL scale.

WICKET FRAMING

Middle wicket framing

Designed for framing the second or third wicket panels.
Used in wicket with flat, standard and low threshold.

Material aluminium
 Measure unit pcs.
 Supply rate, pcs. 10

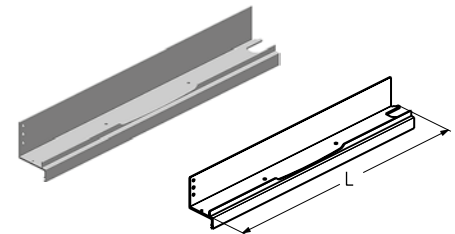


Article	Code	Coating	Colour* Degree of gloss	Length, mm	Weight, kg/pcs.	Application
WD250R.202KFV-01	407910247	Anodized	A00-D6 (silver)	490.5	0.362	For doors with right-hinged wicket
WD250R.202KFV-01	407910246	Powder	close to RAL 8019 30	490.5	0.362	
WD260R.202KFV-01	407910251	Anodized	A00-D6 (silver)	615.5	0.454	
WD260R.202KFV-01	407910250	Powder	close to RAL 8019 30	615.5	0.454	
WD250L.202KFV-01	407910301	Anodized	A00-D6 (silver)	490.5	0.362	For doors with left-hinged wicket
WD250L.202KFV-01	407910300	Powder	close to RAL 8019 30	490.5	0.362	
WD260L.202KFV-01	407910305	Anodized	A00-D6 (silver)	615.5	0.454	
WD260L.202KFV-01	407910304	Powder	close to RAL 8019 30	615.5	0.454	

Middle wicket framing

Designed for framing the second or third wicket panels.
Used in wicket with flat, standard and low threshold with anti-panic lock PED20-45.

Material aluminium
 Measure unit pcs.
 Supply rate, pcs. 10



Article	Code	Coating	Colour*	Length, mm	Weight, kg/pcs.	Application
WD250RA.202	404020891	Anodized	A00-D6 (silver)	490.5	0.387	For doors with right-hinged wicket
WD250RA.202	404021433	Powder	close to RAL 8019	490.5	0.387	
WD260RA.202	404021091	Anodized	A00-D6 (silver)	615.5	0.485	
WD260RA.202	404021633	Powder	close to RAL 8019	615.5	0.485	
WD250LA.202	404020991	Anodized	A00-D6 (silver)	490.5	0.387	For doors with left-hinged wicket
WD250LA.202	404021533	Powder	close to RAL 8019	490.5	0.387	
WD260LA.202	404021191	Anodized	A00-D6 (silver)	615.5	0.485	
WD260LA.202	404021733	Powder	close to RAL 8019	615.5	0.485	

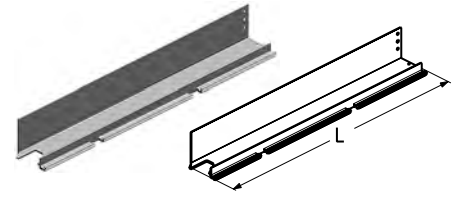
* Colours closely correspond to the RAL scale.

WICKET FRAMING

Middle wicket hinge

Designed for framing the forth, third and second wicket panels.
Used in wicket with flat, standard and low threshold.

Material aluminium
Measure unit pcs.
Supply rate, pcs. 10

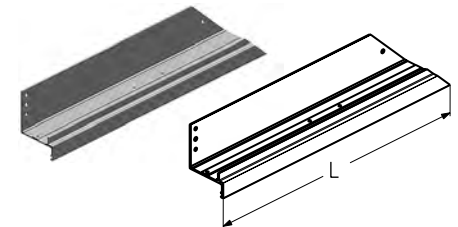


Article	Code	Coating	Colour*	Length, mm	Weight, kg/pcs.	Application
WD250R.201	404020091	Anodized	A00-D6 (silver)	490.5	0.385	For doors with right-hinged wicket
WD250R.201	404020633	Powder	close to RAL 8019	490.5	0.385	
WD260R.201	404020291	Anodized	A00-D6 (silver)	615.5	0.483	
WD260R.201	404020833	Powder	close to RAL 8019	615.5	0.483	
WD250L.201	404020191	Anodized	A00-D6 (silver)	490.5	0.385	For doors with left-hinged wicket
WD250L.201	404020733	Powder	close to RAL 8019	490.5	0.385	
WD260L.201	404020391	Anodized	A00-D6 (silver)	615.5	0.483	
WD260L.201	404020933	Powder	close to RAL 8019	615.5	0.483	

Lower wicket framing

Designed for framing the bottom wicket panel.
Used in wicket with standard threshold.

Material aluminium
Measure unit pcs.
Supply rate, pcs. 10

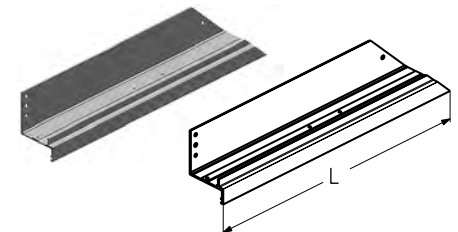


Article	Code	Coating	Colour*	Length, mm	Weight, kg/pcs.	Application
WD152R.202	404031091	Anodized	A00-D6 (silver)	377	0.291	For doors with right-hinged wicket
WD152R.202	404031633	Powder	close to RAL 8019	377	0.291	
WD162R.202	404031491	Anodized	A00-D6 (silver)	502	0.388	
WD162R.202	404032033	Powder	close to RAL 8019	502	0.388	
WD152L.202	404031191	Anodized	A00-D6 (silver)	377	0.291	For doors with left-hinged wicket
WD152L.202	404031733	Powder	close to RAL 8019	377	0.291	
WD162L.202	404031591	Anodized	A00-D6 (silver)	502	0.388	
WD162L.202	404032133	Powder	close to RAL 8019	502	0.388	

Lower wicket framing

Designed for framing the bottom wicket panel.
Used in wicket with low threshold.

Material aluminium
Measure unit pcs.
Supply rate, pcs. 10



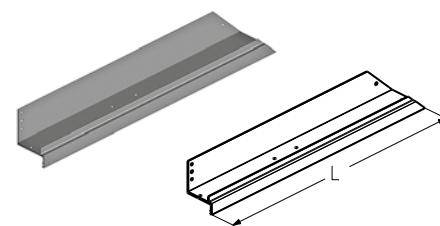
Article	Code	Coating	Colour*	Length, mm	Weight, kg/pcs.	Application
WD151R.202	404030891	Anodized	A00-D6 (silver)	422	0.326	For doors with right-hinged wicket
WD151R.202	404031433	Powder	close to RAL 8019	422	0.326	
WD161R.202	404031291	Anodized	A00-D6 (silver)	547	0.470	
WD161R.202	404031833	Powder	close to RAL 8019	547	0.470	
WD151L.202	404030991	Anodized	A00-D6 (silver)	422	0.326	For doors with left-hinged wicket
WD151L.202	404031533	Powder	close to RAL 8019	422	0.326	
WD161L.202	404031391	Anodized	A00-D6 (silver)	547	0.470	
WD161L.202	404031933	Powder	close to RAL 8019	547	0.470	

* Colours closely correspond to the RAL scale.

WICKET FRAMING

Lower wicket framing

Designed for framing the bottom wicket panel.
Used in wicket with flat threshold.

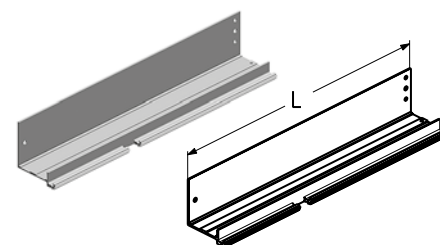


Material aluminium
Measure unit pcs.
Supply rate, pcs. 10

Article	Code	Coating	Colour*	Length, mm	Weight, kg/pcs.	Application
WD-153R.202	404232891	Anodized	A00-D6 (silver)	488.5	0.379	For doors with right-hinged wicket
WD-153R.202	404232833	Powder	close to RAL 8019	488.5	0.379	
WD-163R.202	404232991	Anodized	A00-D6 (silver)	613.5	0.483	
WD-163R.202	404232933	Powder	close to RAL 8019	613.5	0.483	
WD-153L.202	404032191	Anodized	A00-D6 (silver)	488.5	0.379	For doors with left-hinged wicket
WD-153L.202	404032733	Powder	close to RAL 8019	488.5	0.379	
WD-163L.202	404031991	Anodized	A00-D6 (silver)	613.5	0.483	
WD-163L.202	404032533	Powder	close to RAL 8019	613.5	0.483	

Bottom wicket hinge

Designed for framing the bottom wicket panel.
Used in wicket with standard threshold.

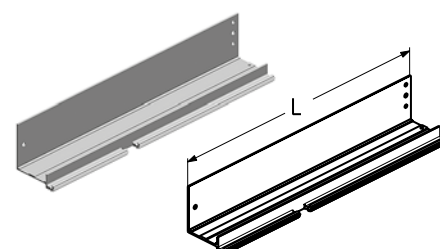


Material aluminium
Measure unit pcs.
Supply rate, pcs. 10

Article	Code	Coating	Colour*	Length, mm	Weight, kg/pcs.	Application
WD152R.201	404030291	Anodized	A00-D6 (silver)	355	0.287	For doors with right-hinged wicket
WD152R.201	404030833	Powder	close to RAL 8019	355	0.287	
WD162R.201	404030691	Anodized	A00-D6 (silver)	480	0.387	
WD162R.201	404031233	Powder	close to RAL 8019	480	0.387	
WD152L.201	404030391	Anodized	A00-D6 (silver)	355	0.287	For doors with left-hinged wicket
WD152L.201	404030933	Powder	close to RAL 8019	355	0.287	
WD162L.201	404030791	Anodized	A00-D6 (silver)	480	0.387	
WD162L.201	404031333	Powder	close to RAL 8019	480	0.387	

Bottom wicket hinge

Designed for framing the bottom wicket panel.
Used in wicket with low threshold.



Material aluminium
Measure unit pcs.
Supply rate, pcs. 10

Article	Code	Coating	Colour*	Length, mm	Weight, kg/pcs.	Application
WD151R.201	404030091	Anodized	A00-D6 (silver)	400	0.323	For doors with right-hinged wicket
WD151R.201	404030633	Powder	close to RAL 8019	400	0.323	
WD161R.201	404030491	Anodized	A00-D6 (silver)	525	0.424	
WD161R.201	404031033	Powder	close to RAL 8019	525	0.424	
WD151L.201	404030191	Anodized	A00-D6 (silver)	400	0.323	For doors with left-hinged wicket
WD151L.201	404030733	Powder	close to RAL 8019	400	0.323	
WD161L.201	404030591	Anodized	A00-D6 (silver)	525	0.424	
WD161L.201	404031133	Powder	close to RAL 8019	525	0.424	

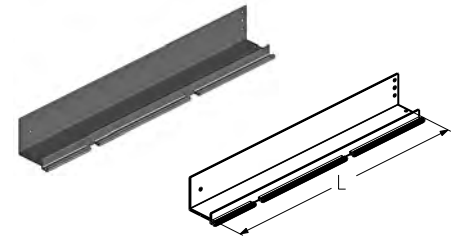
* Colours closely correspond to the RAL scale.

WICKET FRAMING

Bottom wicket hinge

Designed for framing the bottom wicket panel.
Used in wicket with flat threshold.

Material aluminium
Measure unit pcs.
Supply rate, pcs. 10

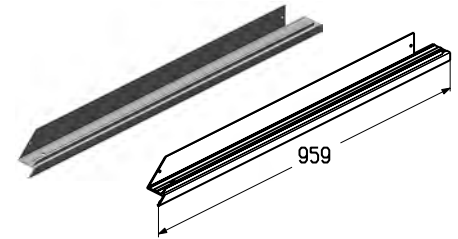


Article	Code	Coating	Colour*	Length, mm	Weight, kg/pcs.	Application
WD-153R.201	404232691	Anodized	A00-D6 (silver)	466.5	0.418	For doors with right-hinged wicket
WD-153R.201	404232633	Powder	close to RAL 8019	466.5	0.418	
WD-163R.201	404232791	Anodized	A00-D6 (silver)	591.5	0.532	
WD-163R.201	404232733	Powder	close to RAL 8019	591.5	0.532	
WD-153L.201	404233191	Anodized	A00-D6 (silver)	466.5	0.418	For doors with left-hinged wicket
WD-153L.201	404233133	Powder	close to RAL 8019	466.5	0.418	
WD-163L.201	404233291	Anodized	A00-D6 (silver)	591.5	0.532	
WD-163L.201	404233233	Powder	close to RAL 8019	591.5	0.532	

Wicket bottom framing

Designed for framing the bottom wicket panel.
Used in wicket with standard and low threshold.

Length, mm 959
Weight, kg/pcs. 0.692
Material aluminium
Measure unit pcs.
Supply rate, pcs. 10

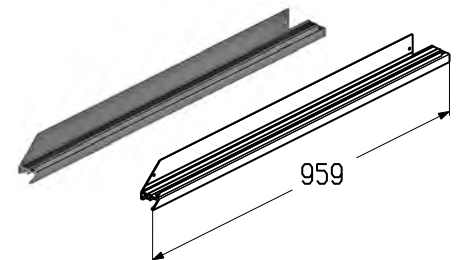


Article	Code	Coating	Colour	Application
WD151R.203	404031691	Anodized	A00-D6 (silver)	For doors with right-hinged wicket
WD151R.203	404032233	Powder	close to RAL 8019	
WD151L.203	404031791	Anodized	A00-D6 (silver)	For doors with left-hinged wicket
WD151L.203	404032333	Powder	close to RAL 8019	

Wicket bottom framing

Designed for framing the bottom wicket panel.
Used in wicket with flat threshold.

Length, mm 959
Weight, kg/pcs. 0.934
Material aluminium
Measure unit pcs.
Supply rate, pcs. 10

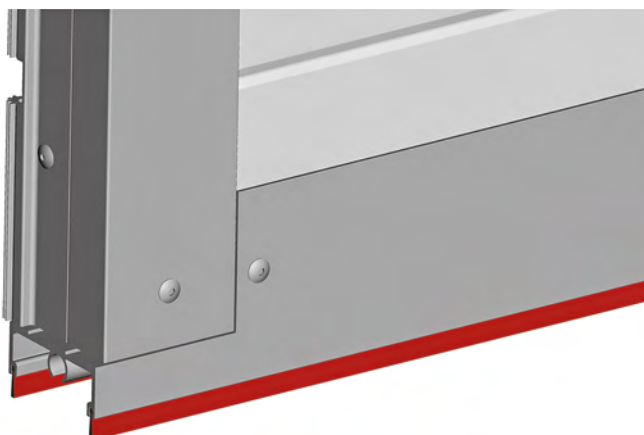


Article	Code	Coating	Colour*	Application
WD-153R.203	404233091	Anodized	A00-D6 (silver)	For doors with right-hinged wicket
WD-153R.203	404233033	Powder	close to RAL 8019	
WD-153L.203	404032091	Anodized	A00-D6 (silver)	For doors with left-hinged wicket
WD-153L.203	404032633	Powder	close to RAL 8019	

* Colours closely correspond to the RAL scale.

WICKET FRAMING

BRUSH INSERT INSTALLATION

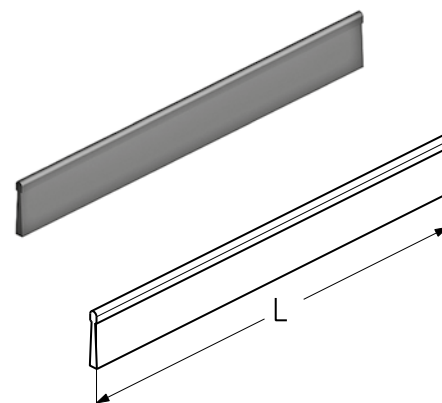


Brush insert

Designed to seal the bottom of the wicket.
Used in wicket with flat threshold.

Weight, kg/m 0.023
Measure unit m
Supply rate, m 300

Article	Code
BS11	404407000



WICKET FRAMING

CAP INSTALLATION

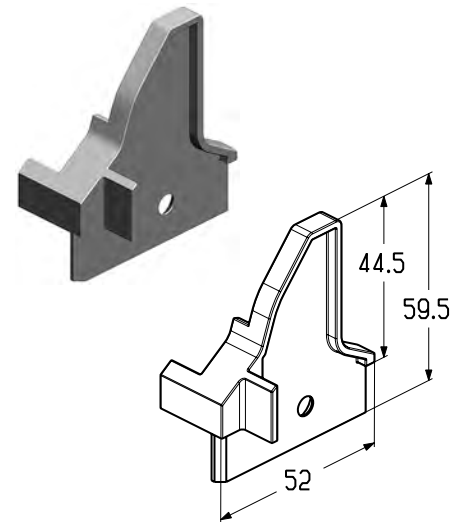


Cap

Installed together with the wicket framing on the bottom and intermediate panels.
Used in wicket with flat, standard and low threshold.

Material PA
Weight, kg/pcs. 0.006
Measure unit pcs.
Supply rate, pcs. 90

Article	Code	Colour	Application
WD22R-GR	401711300	Grey	For doors with right-hinged wicket
WD22R-BR	401711400	Brown	
WD22L-GR	401711500	Grey	For doors with left-hinged wicket
WD22L-BR	401711600	Brown	

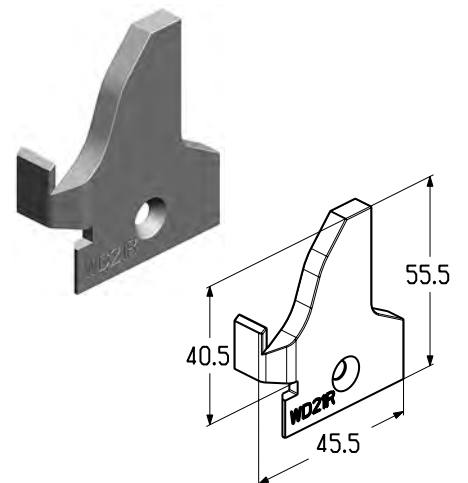


Cap

Installed together with wicket hinge on the bottom and intermediate panels.
Used in wicket with flat, standard and low threshold.

Material PA
Weight, kg/pcs. 0.006
Measure unit pcs.
Supply rate, pcs. 90

Article	Code	Colour	Application
WD21R-GR	401710900	Grey	For doors with right-hinged wicket
WD21R-BR	401711000	Brown	
WD21L-GR	401711100	Grey	For doors with left-hinged wicket
WD21L-BR	401711200	Brown	



WICKET FRAMING

INSTALLATION OF WICKET CATCHING ELEMENT

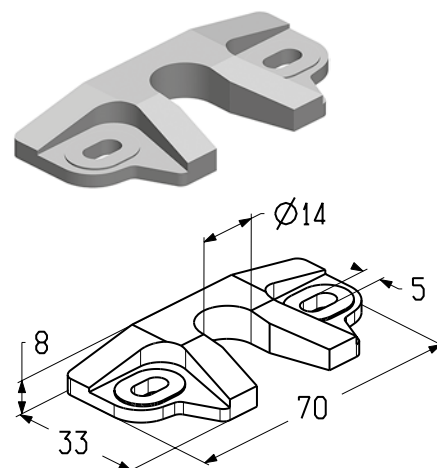


Wicket catching element

Installed on the wicket framing on the first and third (or fourth) panels.
Used in wicket with flat, standard and low threshold.

Material PA
Weight, kg/pcs. 0.006
Measure unit pcs.
Supply rate, pcs. 80

Article	Code
WD2011	401730100

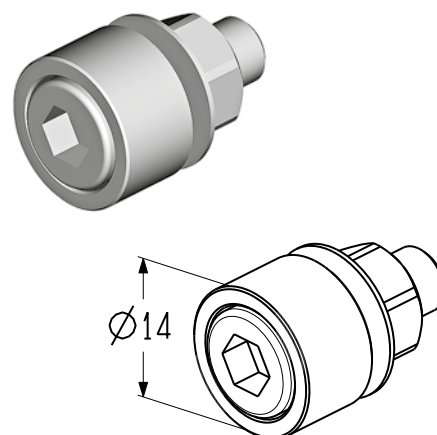


Support set for catching element

Used together with wicket catching element (WD2011).
Installed on the wicket framing on the first and third (or fourth) panels. Used in wicket with flat, standard and low threshold.

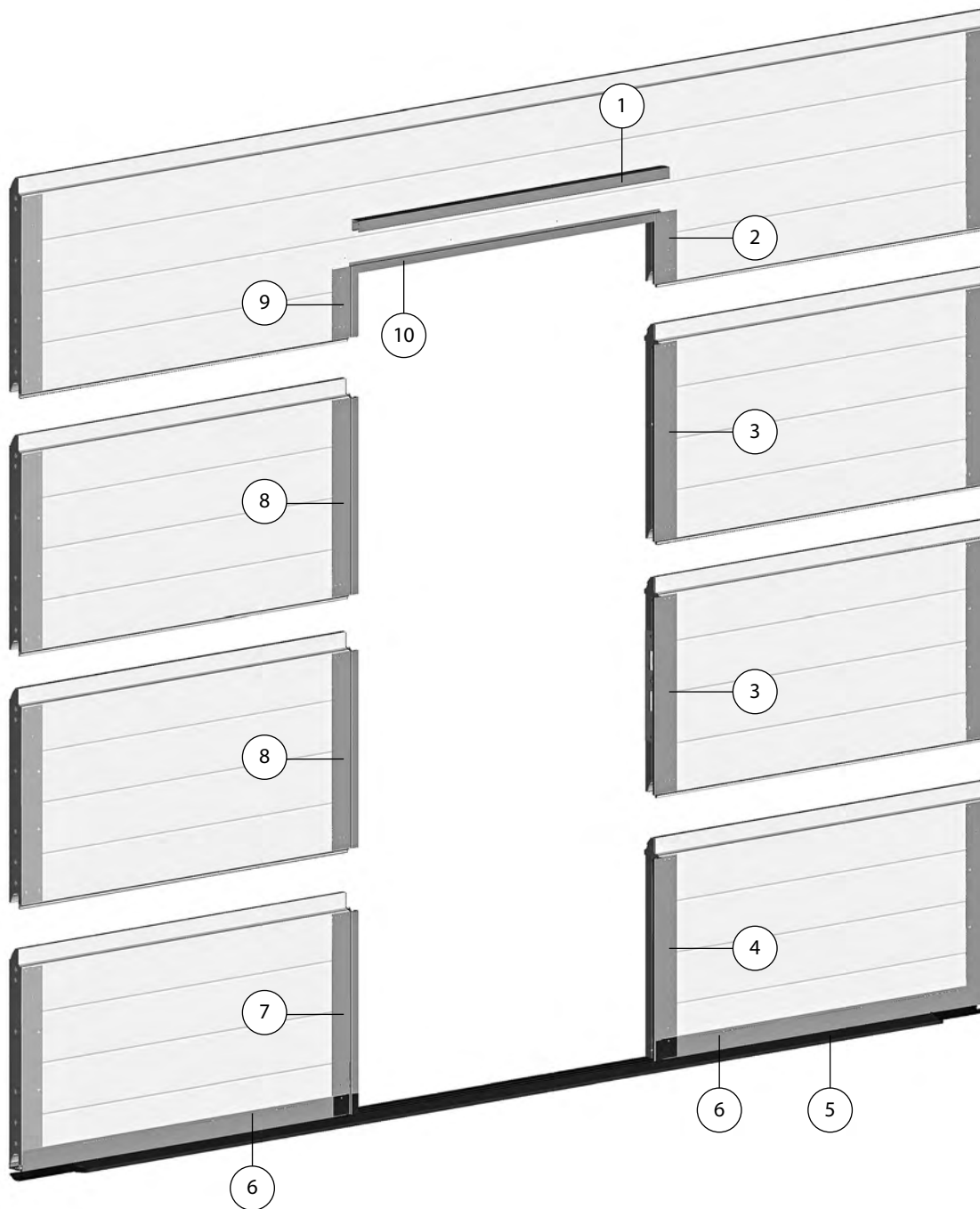
Material stainless steel
Weight, kg/pcs. 0.01
Measure unit pcs.
Supply rate, pcs. 1000

Article	Code
WD2031	401730200



OPENING FRAMING PROFILE INSTALLATION

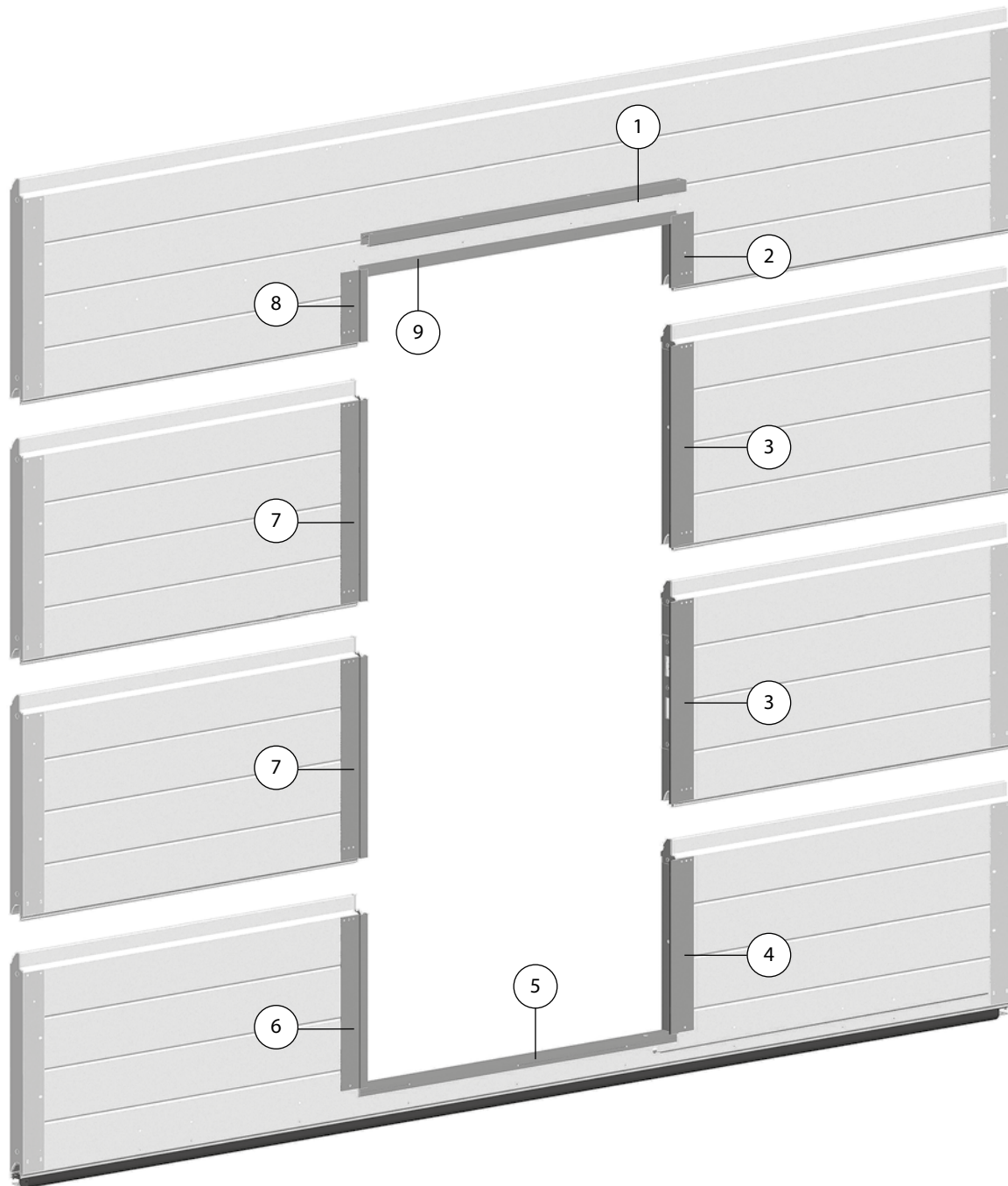
WICKET WITH FLAT THRESHOLD 20 MM



No.	Item	No.	Item
1	Overhead door closer profile	6	Door profile (PRD71)
2	Top door opening framing	7	Bottom door opening hinge
3	Middle door opening framing	8	Middle door opening hinge
4	Lower door opening framing	9	Top door opening hinge
5	Door profile (PRD70)	10	Top door opening framing

OPENING FRAMING PROFILE INSTALLATION

WICKET WITH LOW (100 MM) AND STANDARD (145 MM) THRESHOLD



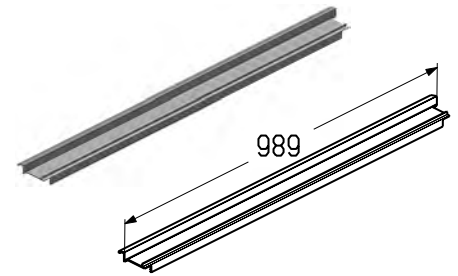
No.	Item	No.	Item
1	Overhead door closer profile	6	Bottom door opening hinge
2	Top door opening framing	7	Middle door opening hinge
3	Middle door opening framing	8	Top door opening hinge
4	Lower door opening framing	9	Top door opening framing
5	Bottom door opening framing		

DOOR OPENING FRAMING

Top door opening framing

Designed for framing the top panel.
Used in wicket with flat, standard and low threshold.

Length, mm	989
Material	aluminium
Weight, kg/pcs.	0.654
Measure unit	pcs.
Supply rate, pcs.	10

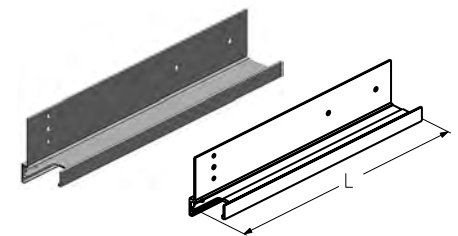


Article	Code	Coating	Colour*	Application
WD403R.103	404110491	Anodized	A00-D6 (silver)	For doors with right-hinged wicket
WD403R.103	404110933	Powder	close to RAL 8019	
WD403L.103	404110591	Anodized	A00-D6 (silver)	For doors with left-hinged wicket
WD403L.103	404111033	Powder	close to RAL 8019	

Top door opening framing

Designed for framing the top panel.
Used in wicket with flat, standard and low threshold.

Material	aluminium
Measure unit	pcs.
Supply rate, pcs.	10

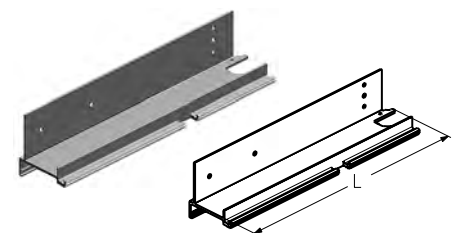


Article	Code	Coating	Colour*	Length, mm	Weight, kg/pcs.	Application
WD403R.302	404110691	Anodized	A00-D6 (silver)	183	0.143	For doors with right-hinged wicket
WD403R.302	404111133	Powder	close to RAL 8019	183	0.143	
WD404R.302	404110891	Anodized	A00-D6 (silver)	308	0.241	
WD404R.302	404111333	Powder	close to RAL 8019	308	0.241	
WD403L.302	404110791	Anodized	A00-D6 (silver)	183	0.143	For doors with left-hinged wicket
WD403L.302	404111233	Powder	close to RAL 8019	183	0.143	
WD404L.302	404110991	Anodized	A00-D6 (silver)	308	0.241	
WD404L.302	404111433	Powder	close to RAL 8019	308	0.241	

Top door opening hinge

Designed for framing the top panel.
Used in wicket with flat, standard and low threshold.

Material	aluminium
Measure unit	pcs.
Supply rate, pcs.	10



Article	Code	Coating	Colour*	Length, mm	Weight, kg/pcs.	Application
WD403R.101	404110091	Anodized	A00-D6 (silver)	183	0.167	For doors with right-hinged wicket
WD403R.101	404110533	Powder	close to RAL 8019	183	0.167	
WD404R.101	404110291	Anodized	A00-D6 (silver)	308	0.282	
WD404R.101	404110733	Powder	close to RAL 8019	308	0.282	
WD403L.101	404110191	Anodized	A00-D6 (silver)	183	0.167	For doors with left-hinged wicket
WD403L.101	404110633	Powder	close to RAL 8019	183	0.167	
WD404L.101	404110391	Anodized	A00-D6 (silver)	308	0.282	
WD404L.101	404110833	Powder	close to RAL 8019	308	0.282	

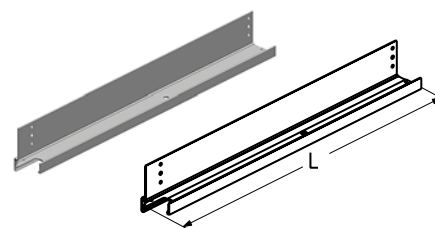
* Colours closely correspond to the RAL scale.

DOOR OPENING FRAMING

Middle door opening framing

Designed for framing the third or fourth panel.
Used in wicket with flat, standard and low threshold.

Material aluminium
Measure unit pcs.
Supply rate, pcs. 10

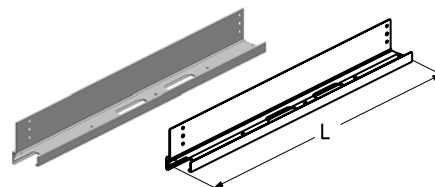


Article	Code	Coating	Colour*	Length, mm	Weight, kg/pcs.	Application
WD350R.302	404121291	Anodized	A00-D6 (silver)	490.5	0.391	For doors with right-hinged wicket
WD350R.302	404121833	Powder	close to RAL 8019	490.5	0.391	
WD360R.302	404121491	Anodized	A00-D6 (silver)	615.5	0.490	
WD360R.302	404122033	Powder	close to RAL 8019	615.5	0.490	
WD350L.302	404121391	Anodized	A00-D6 (silver)	490.5	0.391	For doors with left-hinged wicket
WD350L.302	404121933	Powder	close to RAL 8019	490.5	0.391	
WD360L.302	404121591	Anodized	A00-D6 (silver)	615.5	0.490	
WD360L.302	404122133	Powder	close to RAL 8019	615.5	0.490	

Middle door opening framing

Designed for framing the second or third panel.
Used in wicket with flat, standard and low threshold.

Material aluminium
Measure unit pcs.
Supply rate, pcs. 10

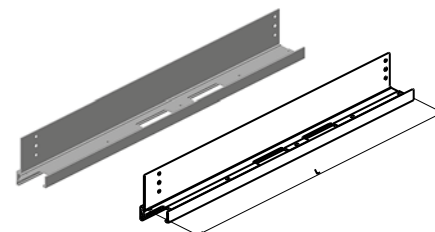


Article	Code	Coating	Colour*	Length, mm	Weight, kg/pcs.	Application
WD250R.302	404120491	Anodized	A00-D6 (silver)	490.5	0.380	For doors with right-hinged wicket
WD250R.302	404121033	Powder	close to RAL 8019	490.5	0.380	
WD260R.302	404120691	Anodized	A00-D6 (silver)	615.5	0.477	
WD260R.302	404121233	Powder	close to RAL 8019	615.5	0.477	
WD250L.302	404120591	Anodized	A00-D6 (silver)	490.5	0.380	For doors with left-hinged wicket
WD250L.302	404121133	Powder	close to RAL 8019	490.5	0.380	
WD260L.302	404120791	Anodized	A00-D6 (silver)	615.5	0.477	
WD260L.302	404121333	Powder	close to RAL 8019	615.5	0.477	

Middle door opening framing

Designed for framing the second or third panel.
Used in wicket with flat, standard and low threshold.

Material aluminium
Measure unit pcs.
Supply rate, pcs. 10



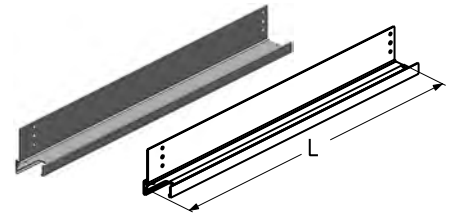
Article	Code	Coating	Colour* Degree of gloss	Length, mm	Weight, kg/pcs.	Application
WD250R.302KfV	407910229	Anodized	A00-D6 (silver)	490.5	0.377	For doors with right-hinged wicket
WD250R.302KfV	407910228	Powder	close to RAL 8019 30	490.5	0.377	
WD260R.302KfV	407910233	Anodized	A00-D6 (silver)	615.5	0.473	
WD260R.302KfV	407910232	Powder	close to RAL 8019 30	615.5	0.473	
WD250L.302KfV	407910283	Anodized	A00-D6 (silver)	490.5	0.377	For doors with left-hinged wicket
WD250L.302KfV	407910282	Powder	close to RAL 8019 30	490.5	0.377	
WD260L.302KfV	407910287	Anodized	A00-D6 (silver)	615.5	0.473	
WD260L.302KfV	407910286	Powder	close to RAL 8019 30	615.5	0.473	

* Colours closely correspond to the RAL scale.

Middle door opening framing

Designed for framing the second or third panel.
Used wicket with flat, standard and low threshold with anti-panic lock.

Material aluminium
Measure unit pcs.
Supply rate, pcs. 10



Article	Code	Coating	Colour*	Length, mm	Weight, kg/pcs.	Application
WD250RA.302	404120891	Anodized	A00-D6 (silver)	490.5	0.391	For doors with right-hinged wicket
WD250RA.302	404120433	Powder	close to RAL 8019	490.5	0.391	
WD260RA.302	404121091	Anodized	A00-D6 (silver)	615.5	0.490	
WD260RA.302	404121633	Powder	close to RAL 8019	615.5	0.490	
WD250LA.302	404120991	Anodized	A00-D6 (silver)	490.5	0.391	For doors with left-hinged wicket
WD250LA.302	404121533	Powder	close to RAL 8019	490.5	0.391	
WD260LA.302	404121191	Anodized	A00-D6 (silver)	615.5	0.490	
WD260LA.302	404121733	Powder	close to RAL 8019	615.5	0.490	

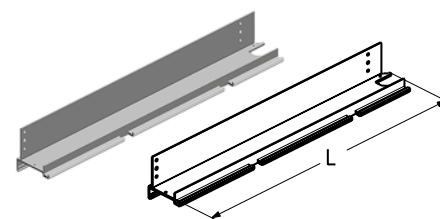
* Colours closely correspond to the RAL scale.

DOOR OPENING FRAMING

Middle door opening hinge

Designed for framing the forth, third and second panel.
Used in wicket with flat, standard and low threshold.

Material aluminium
Measure unit pcs.
Supply rate, pcs. 10

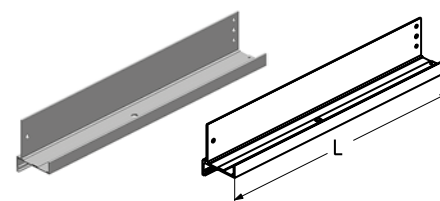


Article	Code	Coating	Colour*	Length, mm	Weight, kg/pcs.	Application
WD250R.101	404120091	Anodized	A00-D6 (silver)	490.5	0.458	For doors with right-hinged wicket
WD250R.101	404120633	Powder	close to RAL 8019	490.5	0.458	
WD260R.101	404120291	Anodized	A00-D6 (silver)	615.5	0.575	
WD260R.101	404120833	Powder	close to RAL 8019	615.5	0.575	
WD250L.101	404120191	Anodized	A00-D6 (silver)	490.5	0.458	For doors with left-hinged wicket
WD250L.101	404120733	Powder	close to RAL 8019	490.5	0.458	
WD260L.101	404120391	Anodized	A00-D6 (silver)	615.5	0.575	
WD260L.101	404120933	Powder	close to RAL 8019	615.5	0.575	

Lower door opening framing

Designed for framing the bottom panel.
Used in wicket with standard threshold.

Material aluminium
Measure unit pcs.
Supply rate, pcs. 10

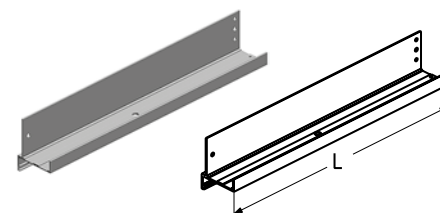


Article	Code	Coating	Colour*	Length, mm	Weight, kg/pcs.	Application
WD152R.302	404131291	Anodized	A00-D6 (silver)	369	0.305	For doors with right-hinged wicket
WD152R.302	404132033	Powder	close to RAL 8019	369	0.305	
WD162R.302	404131691	Anodized	A00-D6 (silver)	494	0.409	
WD162R.302	404132433	Powder	close to RAL 8019	494	0.409	
WD152L.302	404131391	Anodized	A00-D6 (silver)	369	0.305	For doors with left-hinged wicket
WD152L.302	404132133	Powder	close to RAL 8019	369	0.305	
WD162L.302	404131791	Anodized	A00-D6 (silver)	494	0.409	
WD162L.302	404132533	Powder	close to RAL 8019	494	0.409	

Lower door opening framing

Designed for framing the bottom panel.
Used in wicket with low threshold.

Material aluminium
Measure unit pcs.
Supply rate, pcs. 10



Article	Code	Coating	Colour*	Length, mm	Weight, kg/pcs.	Application
WD151R.302	404131091	Anodized	A00-D6 (silver)	414	0.343	For doors with right-hinged wicket
WD151R.302	404131833	Powder	close to RAL 8019	414	0.343	
WD161R.302	404131491	Anodized	A00-D6 (silver)	539	0.446	
WD161R.302	404132233	Powder	close to RAL 8019	539	0.446	
WD151L.302	404131191	Anodized	A00-D6 (silver)	414	0.343	For doors with left-hinged wicket
WD151L.302	404131933	Powder	close to RAL 8019	414	0.343	
WD161L.302	404131591	Anodized	A00-D6 (silver)	539	0.446	
WD161L.302	404132333	Powder	close to RAL 8019	539	0.446	

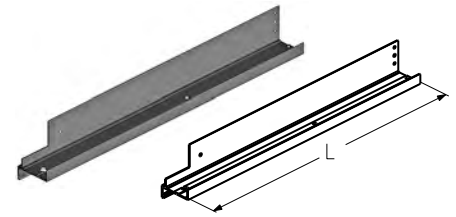
* Colours closely correspond to the RAL scale.

DOOR OPENING FRAMING

Lower door opening framing

Designed for framing the bottom panel.
Used in wicket with flat threshold.

Material aluminium
Measure unit pcs.
Supply rate, pcs. 10

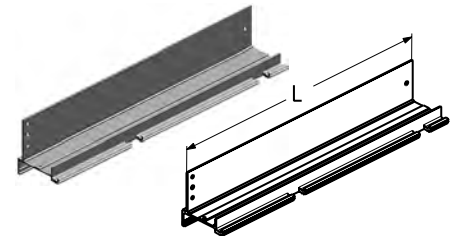


Article	Code	Coating	Colour*	Length, mm	Weight, kg/pcs.	Application
WD-153R.302	404232491	Anodized	A00-D6 (silver)	493	0.394	For doors with right-hinged wicket
WD-153R.302	404232433	Powder	close to RAL 8019	493	0.394	
WD-163R.302	404232591	Anodized	A00-D6 (silver)	618	0.497	
WD-163R.302	404232533	Powder	close to RAL 8019	618	0.497	
WD-153L.302	404131891	Anodized	A00-D6 (silver)	493	0.394	For doors with left-hinged wicket
WD-153L.302	404132633	Powder	close to RAL 8019	493	0.394	
WD-163L.302	404132091	Anodized	A00-D6 (silver)	618	0.497	
WD-163L.302	404132833	Powder	close to RAL 8019	618	0.497	

Bottom door opening hinge

Designed for framing the bottom panel.
Used in wicket with standard threshold.

Material aluminium
Measure unit pcs.
Supply rate, pcs. 10

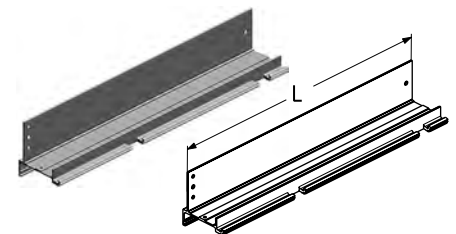


Article	Code	Coating	Colour*	Length, mm	Weight, kg/pcs.	Application
WD152R.101	404130291	Anodized	A00-D6 (silver)	369	0.355	For doors with right-hinged wicket
WD152R.101	404131033	Powder	close to RAL 8019	369	0.355	
WD162R.101	404130691	Anodized	A00-D6 (silver)	494	0.475	
WD162R.101	404131433	Powder	close to RAL 8019	494	0.475	
WD152L.101	404130391	Anodized	A00-D6 (silver)	369	0.355	For doors with left-hinged wicket
WD152L.101	404131133	Powder	close to RAL 8019	369	0.355	
WD162L.101	404130791	Anodized	A00-D6 (silver)	494	0.475	
WD162L.101	404131533	Powder	close to RAL 8019	494	0.475	

Bottom door opening hinge

Designed for framing the bottom panel.
Used in wicket with low threshold.

Material aluminium
Measure unit pcs.
Supply rate, pcs. 10



Article	Code	Coating	Colour*	Length, mm	Weight, kg/pcs.	Application
WD151R.101	404130091	Anodized	A00-D6 (silver)	414	0.398	For doors with right-hinged wicket
WD151R.101	404130833	Powder	close to RAL 8019	414	0.398	
WD161R.101	404130491	Anodized	A00-D6 (silver)	539	0.518	
WD161R.101	404131233	Powder	close to RAL 8019	539	0.518	
WD151L.101	404130191	Anodized	A00-D6 (silver)	414	0.398	For doors with left-hinged wicket
WD151L.101	404130933	Powder	close to RAL 8019	414	0.398	
WD161L.101	404130591	Anodized	A00-D6 (silver)	539	0.518	
WD161L.101	404131333	Powder	close to RAL 8019	539	0.518	

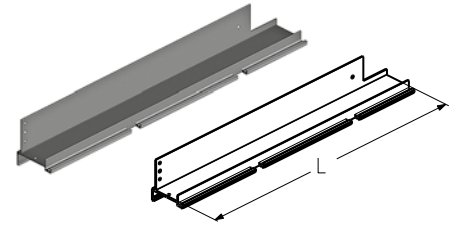
* Colours closely correspond to the RAL scale.

DOOR OPENING FRAMING

Bottom door opening hinge

Designed for framing the bottom panel.
Used in wicket with flat threshold.

Material aluminium
Measure unit pcs.
Supply rate, pcs. 10

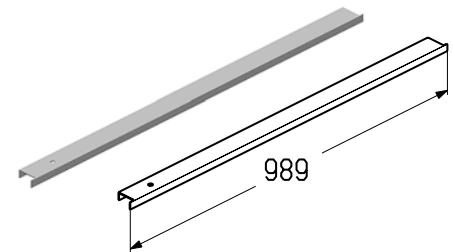


Article	Code	Coating	Colour*	Length, mm	Weight, kg/pcs.	Application
WD-153R.101	404232291	Anodized	A00-D6 (silver)	493	0.520	For doors with right-hinged wicket
WD-153R.101	404232233	Powder	close to RAL 8019	493	0.520	
WD-153L.101	404233391	Anodized	A00-D6 (silver)	493	0.520	
WD-153L.101	404233333	Powder	close to RAL 8019	493	0.520	
WD-163R.101	404232391	Anodized	A00-D6 (silver)	618	0.653	For doors with left-hinged wicket
WD-163R.101	404232333	Powder	close to RAL 8019	618	0.653	
WD-163L.101	404233491	Anodized	A00-D6 (silver)	618	0.653	
WD-163L.101	404233433	Powder	close to RAL 8019	618	0.653	

Threshold

Designed for installation together with the reinforcing profiles (PRG-12, PRG-13).
Used in wicket with standard and low threshold.

Length, mm 989
Material aluminium
Weight, kg/pcs. 0.442
Measure unit pcs.
Supply rate, pcs. 10

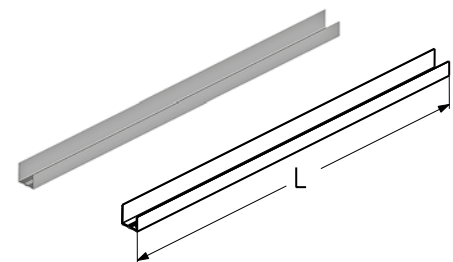


Article	Code	Coating	Colour*	Application
WD151R.103	404130891	Anodized	A00-D6 (silver)	For doors with right-hinged wicket
WD151R.103	404131633	Powder	close to RAL 8019	
WD151L.103	404130991	Anodized	A00-D6 (silver)	For doors with left-hinged wicket
WD151L.103	404131733	Powder	close to RAL 8019	

Door profile

Designed for framing the bottom panel.
Used in wicket with flat threshold.

Length, mm 6000
Weight, kg/pcs. 0.74
Material aluminium
Measure unit m
Supply rate, m 24



Article	Code	Coating	Colour*
PRD71	401490291	Anodized	A00-D6 (silver)
PRD71	401492433	Powder	close to RAL 8019

* Colours closely correspond to the RAL scale.

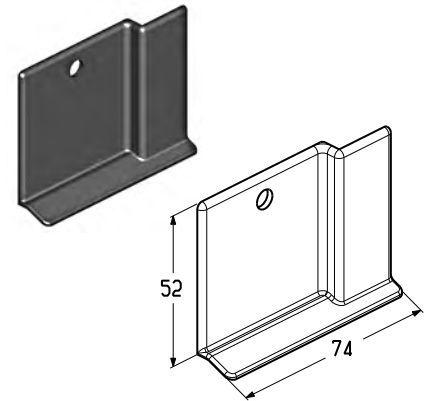
DOOR OPENING FRAMING

Wicket end cap

Installed together with bottom profile (PRD71).
Used in wicket with flat threshold.

Material	ABS
Weight, kg/pcs.	0.009
Measure unit	pcs.
Supply rate, pcs.	500

Article	Code	Colour	Application
WD2034R-GR	401713300	Grey	Right
WD2034R-BR	401713500	Brown	
WD2034R-BK	401713700	Black	
WD2034L-GR	401713200	Grey	Left
WD2034L-BR	401713400	Brown	
WD2034L-BK	401713600	Black	

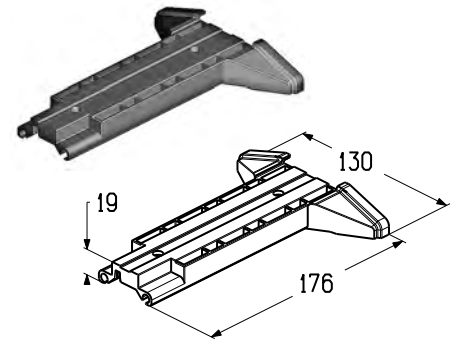


End insert

Installed together with bottom profile (PRD70).
Used in wicket with flat threshold.

Material	PA
Weight, kg/pcs.	0.064
Measure unit	pcs.
Supply rate, pcs.	60

Article	Code	Colour
WD2033	401713800	Black

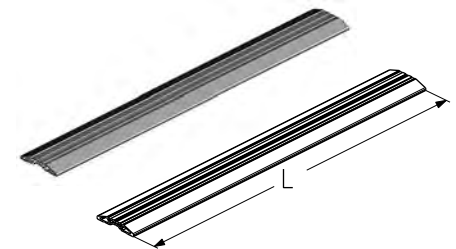


Door profile

Designed for installation into bottom panel.
Used as the threshold in wicket with flat threshold.

Material	aluminium
Length (L), mm	6000
Weight, kg/m	2.71
Measure unit	m
Supply rate, m	12

Article	Code	Coating	Colour
PRD70	401490130	Powder	close to RAL 9005

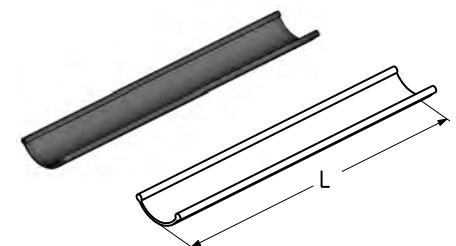


Sealing insert

Designed for sealing the bottom part of the opening. Installed into door profile (PRD70).
Used in wicket with flat threshold.

Material	EPDM
Weight, kg/m	0.11
Measure unit	m
Supply rate, m	125

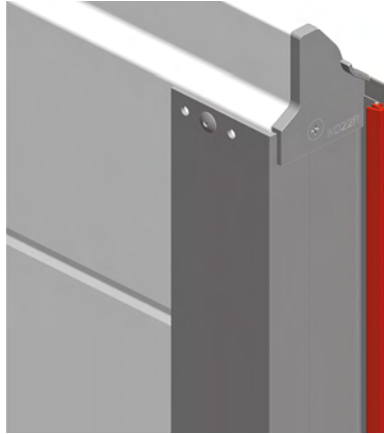
Article	Code
RSB09	401510700



* Colours closely correspond to the RAL scale.

DOOR OPENING FRAMING

SEALING INSERT INSTALLATION

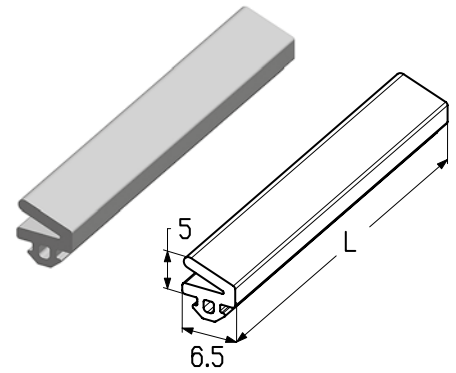


Wicket sealing insert

Designed for sealing the wicket opening. Installed in the door framing and wicket framing. Used in wicket with flat, standard and low threshold.

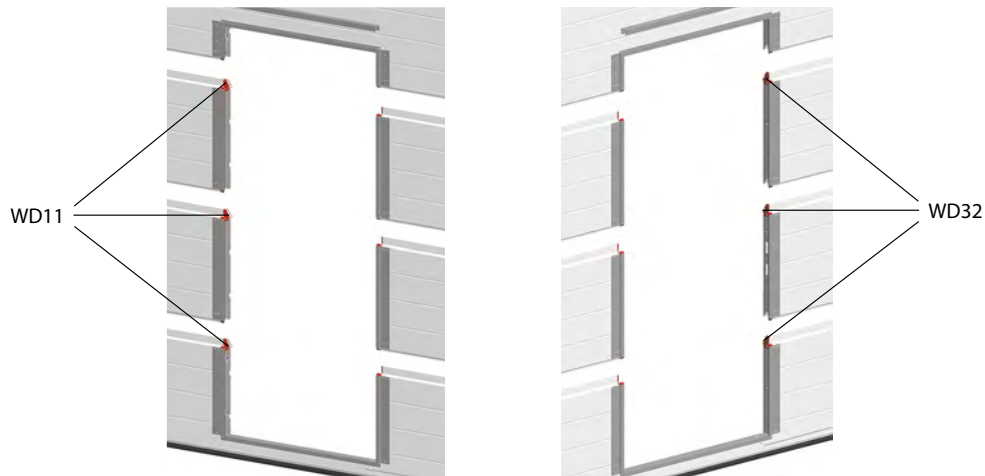
Material EPDM
 Weight, kg/m 0.04
 Measure unit m
 Supply rate, m 475

Article	Code
RSW06	401560100



DOOR OPENING FRAMING

CAP INSTALLATION

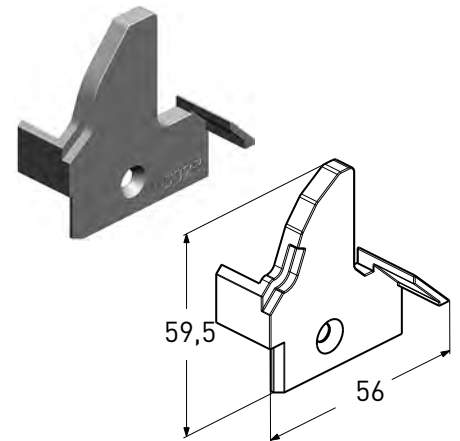


Cap

Installed together with the opening framing in bottom and intermediate panels.
Used in wicket with flat, standard and low threshold.

Material PA
Weight, kg/pcs. 0.009
Measure unit pcs.
Supply rate, pcs. 90

Article	Code	Colour	Application
WD32R-GR	401711700	Grey	For doors with right-hinged wicket
WD32R-BR	401711800	Brown	
WD32L-GR	401711900	Grey	For doors with left-hinged wicket
WD32L-BR	401712000	Brown	

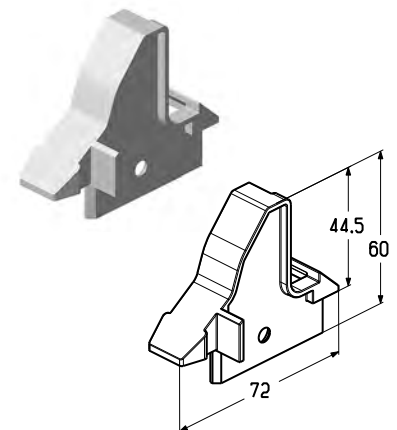


Cap

Installed together with the opening hinge in bottom and intermediate panels.
Used in wicket with flat, standard and low threshold.

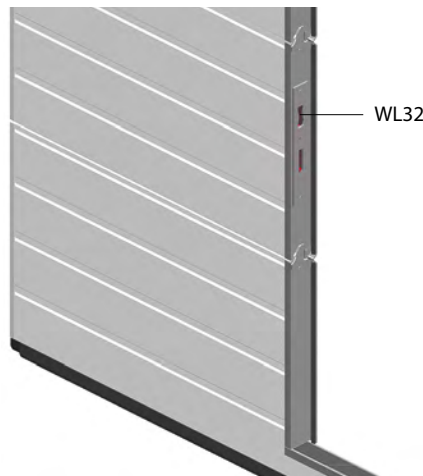
Material PA
Weight, kg/pcs. 0.011
Measure unit pcs.
Supply rate, pcs. 90

Article	Code	Colour	Application
WD11R-GR	401710500	Grey	For doors with right-hinged wicket
WD11R-BR	401710600	Brown	
WD11L-GR	401710700	Grey	For doors with left-hinged wicket
WD11L-BR	401710800	Brown	



DOOR OPENING FRAMING

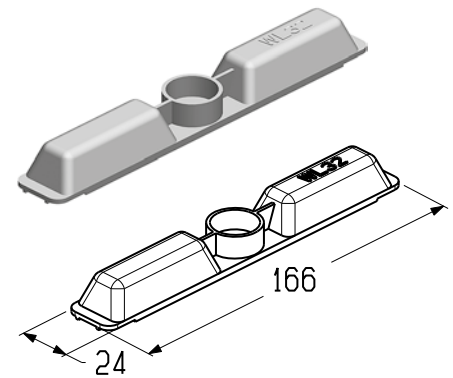
CAP INSTALLATION



Cap

Designed for installation together with the opening framing of third or second panels.
Used in wicket with flat, standard and low threshold.

Material PA
 Colour black
 Weight, kg/pcs. 0.017
 Measure unit pcs.
 Supply rate, pcs. 300

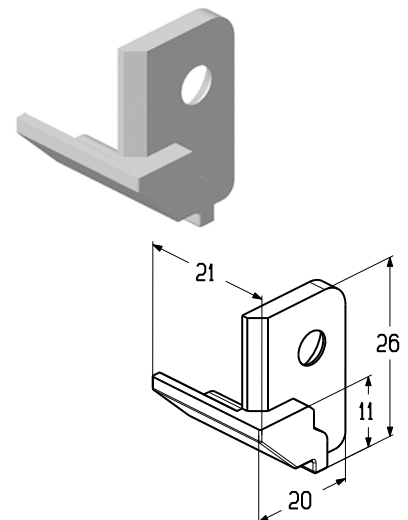


Article	Code
WL32	404410800

Bottom cap

Installed together with the opening framing and hinge on top and intermediate panels.
Used in wicket with flat, standard and low threshold.

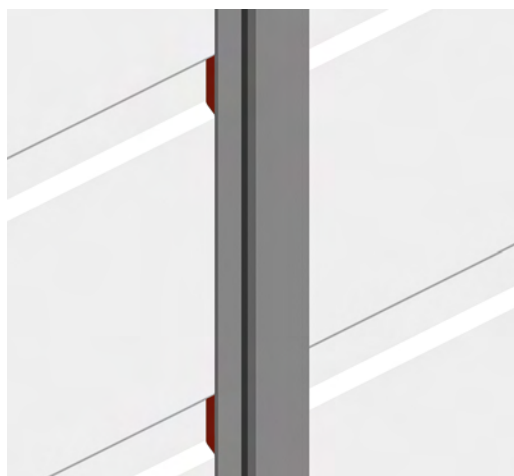
Material PA
 Weight, kg/pcs. 0.002
 Measure unit pcs.
 Supply rate, pcs. 90



Article	Code	Colour
WD01R-GR	401710100	Grey
WD01R-BR	401710200	Brown
WD01L-GR	401710300	Grey
WD01L-BR	401710400	Brown

DOOR OPENING FRAMING

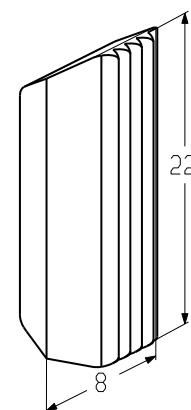
WICKET END CAP INSTALLATION



Wicket end cap

Designed for installation together with the opening framing and wicket framing. Installed under the framing in each bead of S-, M-, L-ribbed panels.
Used in wicket with flat, standard and low threshold.

Material polyurethane
Weight, kg/pcs. 0.001
Measure unit pcs.
Supply rate, pcs. 18000



Article	Code
WD2028	401713100

DOOR OPENING FRAMING

CLAMP AND BRACKET INSTALLATION



Clamp WD2013N



Bracket WD2014

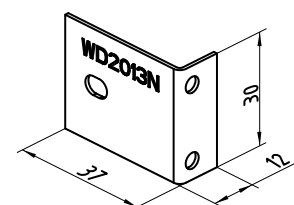
Clamp

Designed for reinforcing the door opening hinge and wicket hinge along the wicket perimeter. Used in wicket with flat, standard and low threshold.

Material galvanized steel
 Weight, kg/pcs. 0.019
 Measure unit pcs.
 Supply rate, pcs..... 1



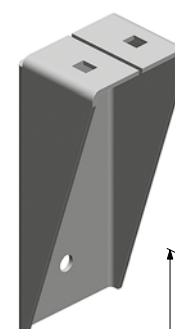
Article	Code
WD2013N	418700046



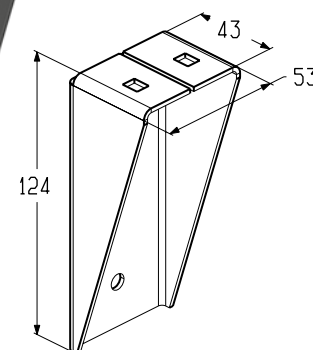
Bracket

Designed for reinforcing the top wicket panel. Installed together with the reinforcing profile (PRG-16, PRG-17). Used in wicket with flat, standard and low threshold.

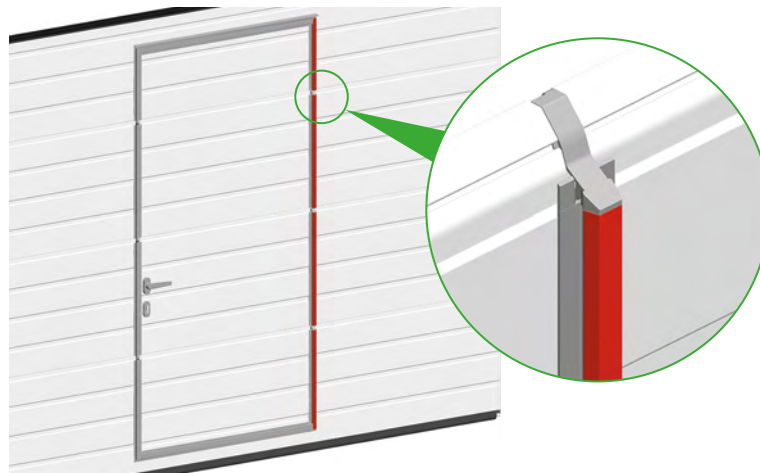
Material galvanized steel
 Coating polymeric
 Colour grey-white (close to RAL 9002)
 Weight, kg/pcs. 0.21
 Measure unit pcs.
 Supply rate, pcs..... 40



Article	Code
WD2014	401750200



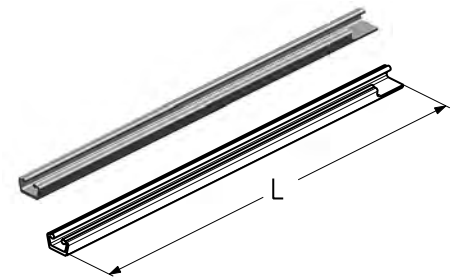
WICKET HINGE



Top hinge connector bar

Designed for connecting the wicket hinge and door opening hinge on the top panel.
Used in wicket with flat, standard and low threshold.

Material aluminium
Measure unit pcs.
Supply rate, pcs..... 10

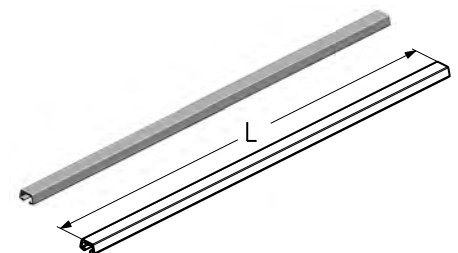


Article	Code	Coating	Colour*	Length, mm	Weight, kg/pcs.	Application
WD403R.001	404210091	Anodized	A00-D6 (silver)	183	0.041	For doors with right-hinged wicket
WD403R.001	404211233	Powder	close to RAL 8019	183	0.041	
WD404R.001	404210291	Anodized	A00-D6 (silver)	308	0.069	
WD404R.001	404211433	Powder	close to RAL 8019	308	0.069	
WD403L.001	404210191	Anodized	A00-D6 (silver)	183	0.041	For doors with left-hinged wicket
WD403L.001	404211333	Powder	close to RAL 8019	183	0.041	
WD404L.001	404210391	Anodized	A00-D6 (silver)	308	0.069	
WD404L.001	404211533	Powder	close to RAL 8019	308	0.069	

Middle hinge connector bar

Designed for connecting the wicket hinge and door opening hinge in the intermediate panels.
Used in wicket with flat, standard and low threshold.

Material aluminium
Measure unit pcs.
Supply rate, pcs..... 10



Article	Code	Coating	Colour*	Length, mm	Weight, kg/pcs.	Application
WD250R.001	404220091	Anodized	A00-D6 (silver)	481	0.116	For doors with right-hinged wicket
WD250R.001	404221033	Powder	close to RAL 8019	481	0.116	
WD260R.001	404220191	Anodized	A00-D6 (silver)	606	0.146	For doors with left-hinged wicket
WD260R.001	404221133	Powder	close to RAL 8019	606	0.146	

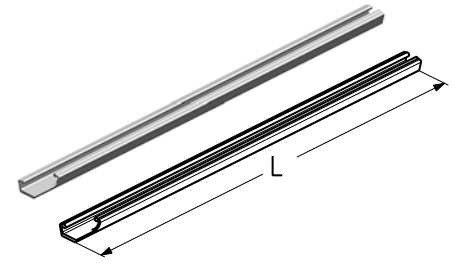
* Colours closely correspond to the RAL scale.

WICKET HINGE

Bottom hinge connector bar

Designed for connecting the wicket hinge and door opening hinge in the bottom panel.
Used in wicket with standard threshold.

Material aluminium
Measure unit pcs.
Supply rate, pcs. 10

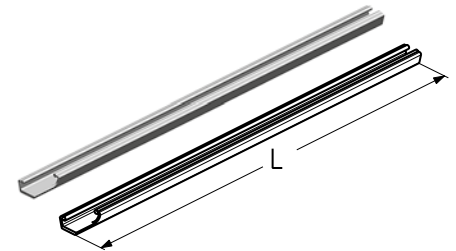


Article	Code	Coating	Colour*	Length, mm	Weight, kg/pcs.	Application
WD152R.001	404230291	Anodized	A00-D6 (silver)	377	0.165	For doors with right-hinged wicket
WD152R.001	404231433	Powder	close to RAL 8019	377	0.165	
WD162R.001	404230691	Anodized	A00-D6 (silver)	502	0.220	
WD162R.001	404231833	Powder	close to RAL 8019	502	0.220	
WD152L.001	404230391	Anodized	A00-D6 (silver)	377	0.165	For doors with left-hinged wicket
WD152L.001	404231533	Powder	close to RAL 8019	377	0.165	
WD162L.001	404230791	Anodized	A00-D6 (silver)	502	0.220	
WD162L.001	404231933	Powder	close to RAL 8019	502	0.220	

Bottom hinge connector bar

Designed for connecting the wicket hinge and door opening hinge in the bottom panel.
Used in wicket with low threshold.

Material aluminium
Measure unit pcs.
Supply rate, pcs. 10

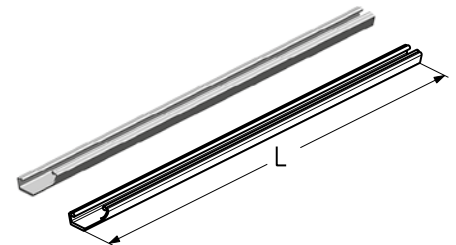


Article	Code	Coating	Colour*	Length, mm	Weight, kg/pcs.	Application
WD151R.001	404230091	Anodized	A00-D6 (silver)	422	0.185	For doors with right-hinged wicket
WD151R.001	404231233	Powder	close to RAL 8019	422	0.185	
WD161R.001	404230491	Anodized	A00-D6 (silver)	547	0.240	
WD161R.001	404231633	Powder	close to RAL 8019	547	0.240	
WD151L.001	404230191	Anodized	A00-D6 (silver)	422	0.185	For doors with left-hinged wicket
WD151L.001	404231333	Powder	close to RAL 8019	422	0.185	
WD161L.001	404230591	Anodized	A00-D6 (silver)	547	0.240	
WD161L.001	404231733	Powder	close to RAL 8019	547	0.240	

Bottom hinge connector bar

Designed for connecting the wicket hinge and door opening hinge in the bottom panel.
Used in wicket with flat threshold.

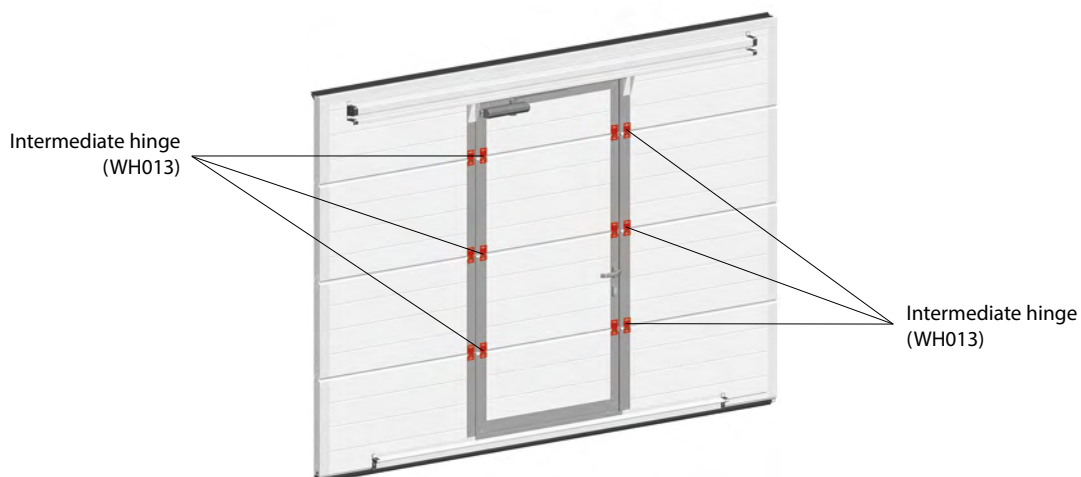
Material aluminium
Measure unit pcs.
Supply rate, pcs. 10



Article	Code	Coating	Colour*	Length, mm	Weight, kg/pcs.	Application
WD-153R.001	404232091	Anodized	A00-D6 (silver)	493	0.113	For doors with right-hinged wicket
WD-153R.001	404232033	Powder	close to RAL 8019	493	0.113	
WD-153L.001	404233591	Anodized	A00-D6 (silver)	618	0.142	
WD-153L.001	404233533	Powder	close to RAL 8019	618	0.142	
WD-163R.001	404232191	Anodized	A00-D6 (silver)	493	0.113	For doors with left-hinged wicket
WD-163R.001	404232133	Powder	close to RAL 8019	493	0.113	
WD-163L.001	404233691	Anodized	A00-D6 (silver)	618	0.142	
WD-163L.001	404233633	Powder	close to RAL 8019	618	0.142	

* Colours closely correspond to the RAL scale.

INTERMEDIATE HINGE

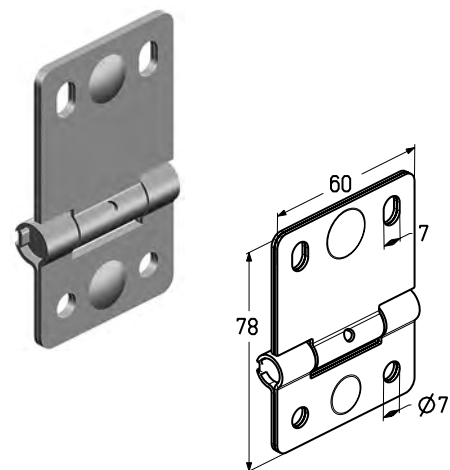


Intermediate hinge

Designed for connecting wicket panels. Installed on door opening framing.
Used in wicket with flat, standard and low threshold.

Material stainless steel
 Weight, kg/pcs. 0.08
 Measure unit pcs.
 Supply rate, pcs. 40

Article	Code
WH013	404240300



SLIDING BLOCK

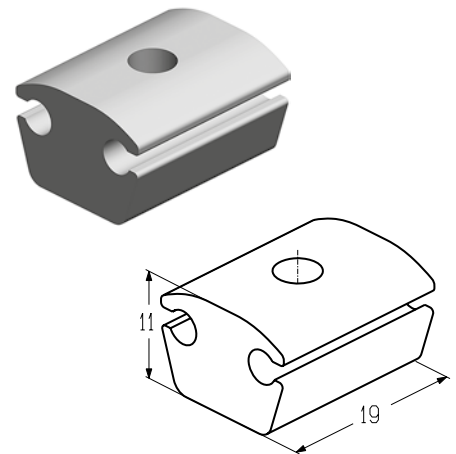


Sliding block

Designed for preventing displacement of the door opening hinge against the wicket hinge.
Used in wicket with flat, standard and low threshold.

Material plastic
 Weight, kg/pcs. 0.003
 Measure unit pcs.
 Supply rate, pcs..... 100

Article	Code
WD100	401720100



BOTTOM REINFORCING PROFILE



Reinforcing profile PRG-12

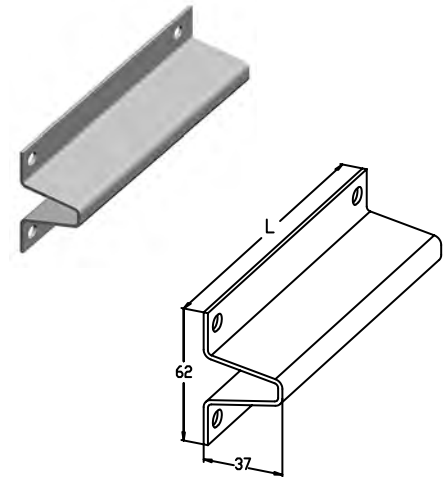


Reinforcing profile PRG-13

Reinforcing profile

Designed for reinforcing the bottom wicket section.
Used in wicket with low threshold.

Material galvanized steel
Coating polymeric
Colour grey-white (close to RAL 9002)
Weight, kg/m 2.46
Measure unit m

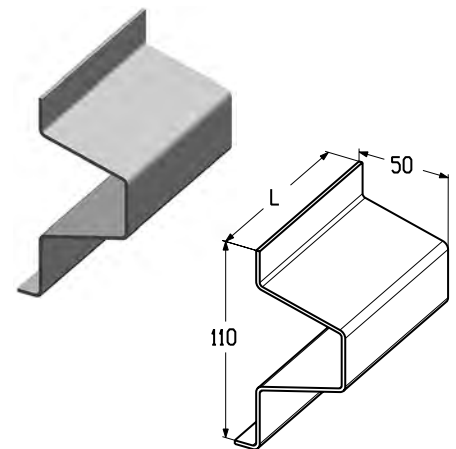


Article	Code	Length, mm	Supply rate, m	Supply rate, pcs
PRG-12	401411110	5940	320.76	54
		6270	338.58	54

Reinforcing profile

Designed for reinforcing the bottom wicket section.
Used in wicket with standard threshold.

Material galvanized steel
Coating polymeric
Colour grey-white (close to RAL 9002)
Weight, kg/m 3.04
Measure unit m



Article	Code	Length, mm	Supply rate, m	Supply rate, pcs
PRG-13	401411210	4620	92.40	20
		4950	99.00	20
		6600	132.00	20

BOTTOM CAP



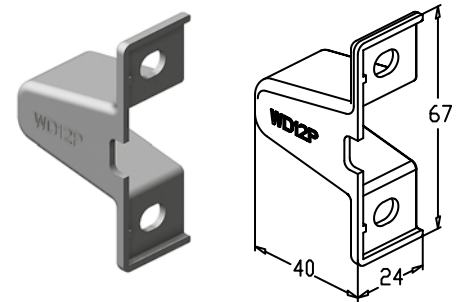
Cap WD12P

Cap WD13PR/L

Cap

Installed with the reinforcing profile (PRG-12).
Used in wicket with low threshold.

Material PA
Weight, kg/pcs. 0.009
Measure unit pcs.
Supply rate, pcs. 1

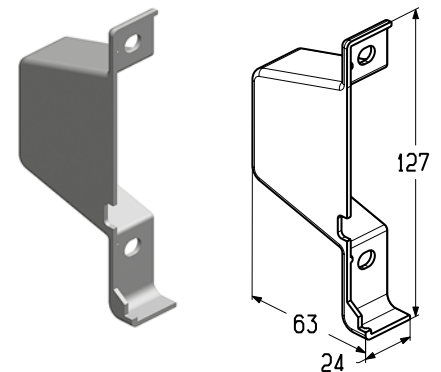


Article	Code	Notes
WD12P	401716100	Universal

Cap

Installed with the reinforcing profile (PRG-13).
Used in wicket with standard threshold.

Material PA
Weight, kg/pcs. 0.016
Measure unit pcs.
Supply rate, pcs. 400

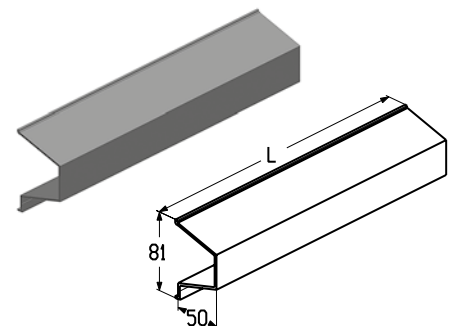


Article	Code	Notes
WD13PL	401712400	Left
WD13PR	401712300	Right

Door profile

Designed for reinforcing the bottom panoramic wicket section.
Used in wicket with standard threshold.

Material aluminium
Length, mm 6000
Coating anodized
Colour A00-D6 (silver metallic)
Weight, kg/m 1.016
Measure unit m
Supply rate, m 24



Article	Code
PRD13	4000557

TOP REINFORCING PROFILE



Reinforcing profile PRG-16

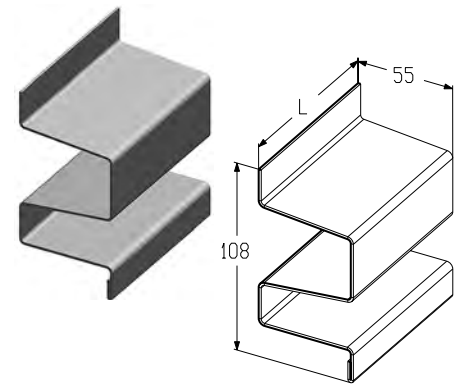


Reinforcing profile PRG-17

Reinforcing profile

Designed for reinforcing the top wicket section in case of wicket installation into the last door panel.
Used in wicket with flat, standard and low threshold.

Material galvanized steel
Coating polymeric
Colour grey-white (close to RAL 9002)
Weight, kg/m 3.20
Measure unit m

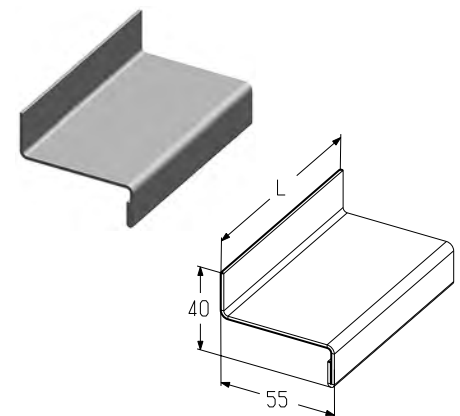


Article	Code	Length, mm	Supply rate, m	Supply rate, pcs
PRG-16	401411510	5280	158.4	30
		6600	198.0	30

Reinforcing profile

Designed for reinforcing the top wicket section in case of the wicket installation into the doors where top wicket section does not serve as the top door leaf section.
Used in wicket with flat, standard and low threshold.

Material galvanized steel
Coating polymeric
Colour grey-white (close to RAL 9002)
Weight, kg/m 1.20
Measure unit m



Article	Code	Length, mm	Supply rate, m	Supply rate, pcs
PRG-17	401411610	5280	633.6	120
		6600	792.0	120

TOP CAP



Cap WD16PR/L

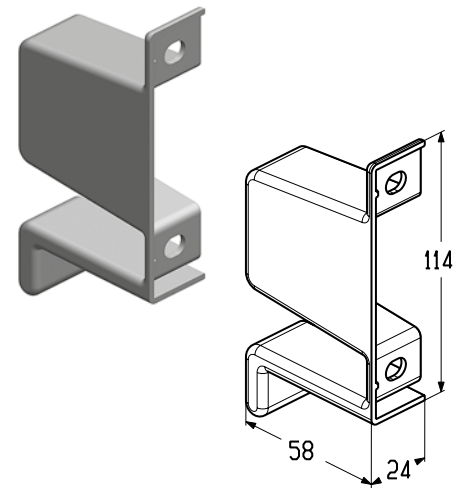
Cap WD17PR/L

Cap

Installed together with the reinforcing profile (PRG-16).
Used in wicket with flat, standard and low threshold.

Material PA
Weight, kg/pcs. 0.024
Measure unit pcs.
Supply rate, pcs. 200

Article	Code	Notes
WD16PL	401712600	Left
WD16PR	401712500	Right

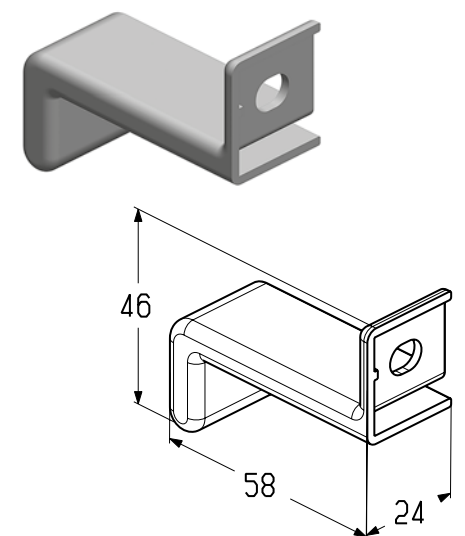


Cap

Installed together with the reinforcing profile (PRG-17).
Used in wicket with flat, standard and low threshold.

Material PA
Weight, kg/pcs. 0.01
Measure unit pcs.
Supply rate, pcs. 500

Article	Code	Notes
WD17PL	401712800	Left
WD17PR	401712700	Right



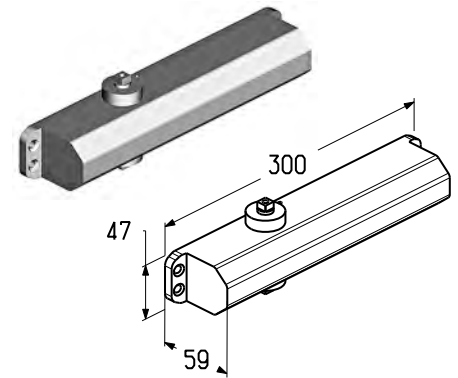
WICKET ACCESSORIES

Door closer

Designed for automatic wicket closing. Used together with door closer sliding rod (DP02010).
Used in wicket with flat, standard and low threshold.

Weight, kg/pcs. 2.71
Measure unit..... pcs.
Supply rate, pcs..... 10

Article	Code
DP0207	404401000

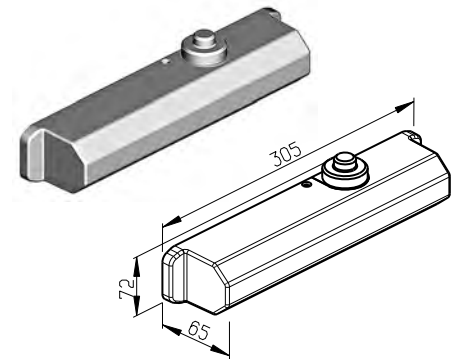


Door closer cover

Installed together with door closer (DP0207).
Used in wicket with flat, low and standard threshold.

Material ABS
Weight, kg/pcs. 0.10
Measure unit..... pcs.
Supply rate, pcs..... 10

Article	Code
DP0207	404470200

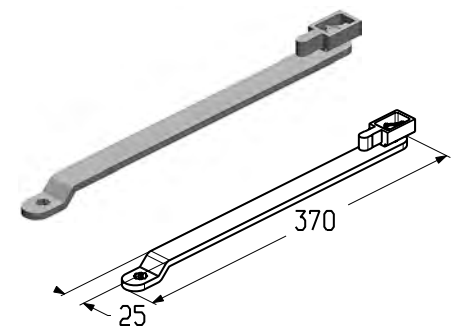


Door closer sliding rod

Designed for installation with the door closer (DP0207).
Used in wicket with flat, standard and low threshold.

Weight, kg/pcs. 0.907
Measure unit..... pcs.
Supply rate, pcs..... 10

Article	Code
DP2010	404406000



WICKET ACCESSORIES

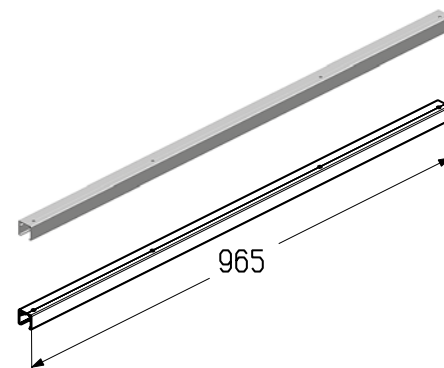
Overhead door closer profile

Used as a guide for door closer sliding rod (DP2010). Installed together with the reinforcing profile (PRG-16, PRG-17).

Used in wicket with flat, standard and low threshold.

Length, mm	965
Material	aluminium
Weight, kg/pcs.	0.52
Measure unit	pcs.
Supply rate, pcs.	10

Article	Code	Colour*
WD403R.108	404470191	A00-D6 (anodizing)
WD403R.108	404470133	close to RAL 8019



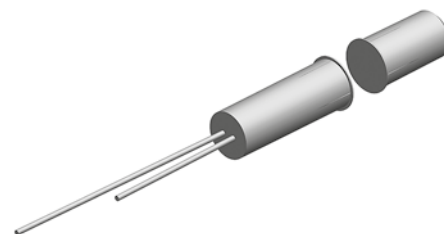
Wicket security sensor

Designed for switching off the drive when the wicket is open.

Used in wicket with flat, standard and low threshold.

Weight, kg/pcs.	0.003
Measure unit	pcs.
Supply rate, pcs.	10

Article	Code
SS0206	404403000



Cable

Used for connecting the wicket security sensor (SS0206) to the control unit.

Used in wicket with flat, standard and low threshold.

Weight, kg/m	0.03
Measure unit	m
Supply rate, m	250

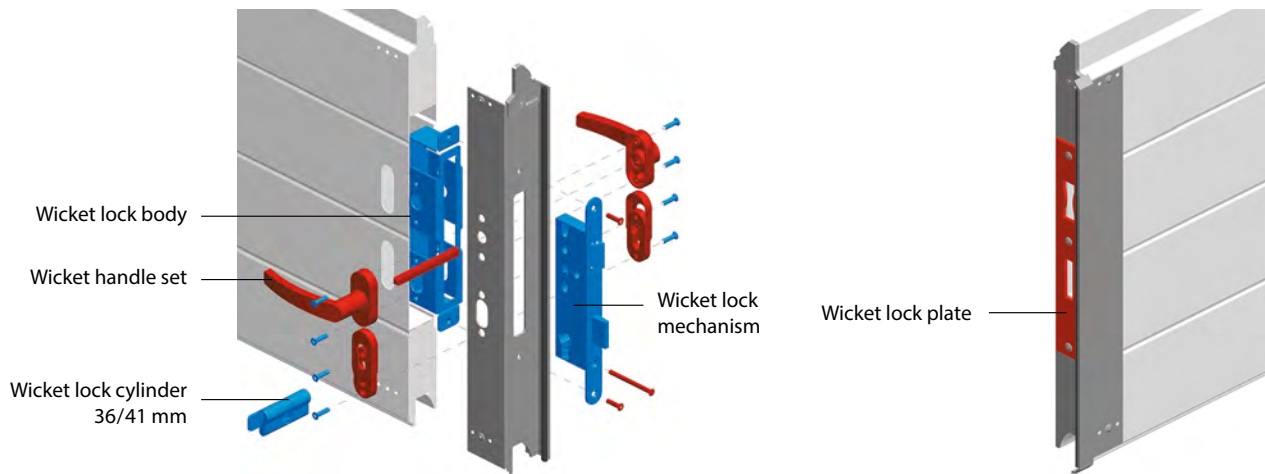
Article	Code
C2x0.5	404404000



* Colours closely correspond to the RAL scale.

WICKET ACCESSORIES

WICKET LOCK INSTALLATION

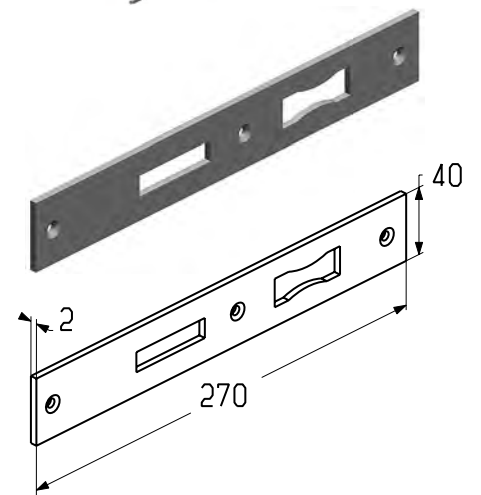


Wicket lock plate

Designed for installation into the middle opening framing (WD250R/L.302, WD260R/L.302).
Used in wicket with flat, standard and low threshold.

Material stainless steel
 Weight, kg/pcs. 0.13
 Measure unit pcs.
 Supply rate, pcs. 10

Article	Code
WD0210	418700200



WICKET ACCESSORIES

Wicket handle set

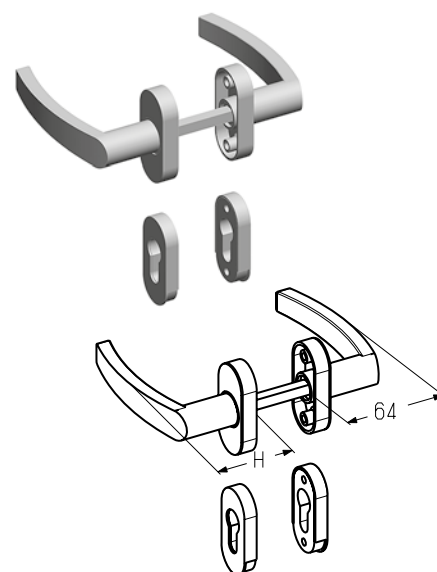
Designed for installation into the wicket with flat, standard or low threshold.

Material zinc-based alloy
 Weight, kg/pcs. 0.9
 Measure unit pcs.
 Supply rate, pcs. 10

Used in:

- garage doors of standard mounting type;
- industrial doors of all mounting types, except for high, vertical and inclined high mounting types.

Article	Code	Coating	Colour	Distance between handle and door leaf (H), mm	Notes
WL2021-SL	404410191	Anodized	A00-D6 (anodizing)	64	Eurocylinder
WL2021-BR	404410133	Powder	close to RAL 8019	64	
WL2021-BK	404410130	Powder	close to RAL 9005	64	



Used in:

- garage doors of low and high mounting types;
- industrial doors of high, vertical and inclined high mounting types with top and bottom shaft positioning.

Article	Code	Coating	Colour	Distance between handle and door leaf (H), mm	Notes
WL2022-SL	404410291	Anodized	A00-D6 (silver)	24	Eurocylinder
WL2022-BR	404410233	Powder	close to RAL 8019	24	
WL2022-BK	404410230	Powder	close to RAL 9005	24	

Wicket handle set

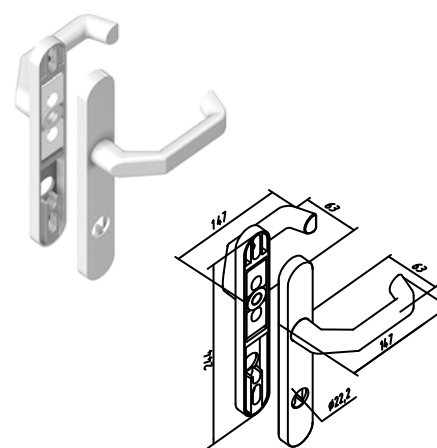
Designed for installation into the wicket with flat, standard or low threshold.

Material zinc-based alloy
 Weight, kg/pcs. 0.932
 Measure unit pcs.
 Supply rate, pcs. 1

Used in:

- garage doors of standard mounting type;
- industrial doors of all mounting types, except for high, vertical and inclined high mounting types.

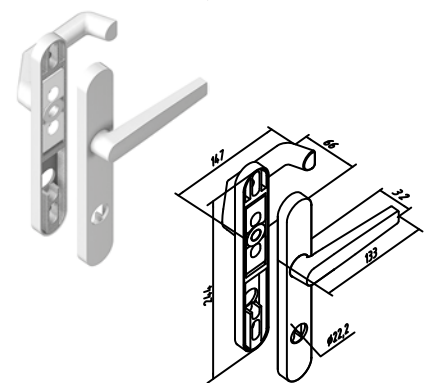
Article	Code	Coating	Colour	Distance between handle and door leaf (H), mm	Notes
11042512	415700115	Anodized	A00-D6 (anodizing)	63	Swiss cylinder



Used in:

- garage doors of low and high mounting types;
- industrial doors of high, vertical and inclined high mounting types with top and bottom shaft positioning.

Article	Code	Coating	Colour	Distance between handle and door leaf (H), mm	Notes
11042511	415700114	Anodized	A00-D6 (anodizing)	32	Swiss cylinder



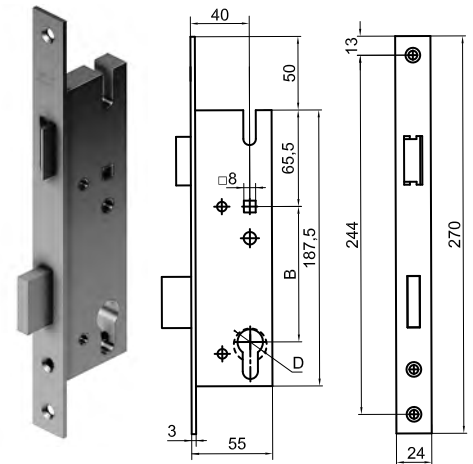
WICKET ACCESSORIES

Wicket lock mechanism

Designed for installation together with lock body (PED-2039).
Used in wicket with flat, standard and low threshold.

Weight, kg/pcs. 0.66
Measure unit pcs.
Supply rate, pcs. 10

Article	Code	Diameter D, mm	Distance B, mm	Notes
WL0202-PC	415700110	17.3	92	Eurocylinder
WL0202-RC	415700111	22.4	94	Swiss cylinder

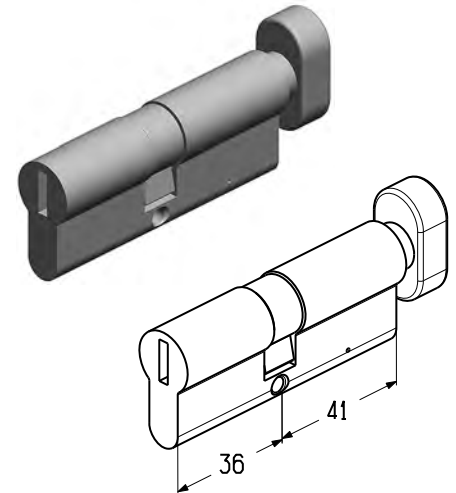


Wicket lock cylinder 36/41 mm

Designed for installation together with wicket lock mechanism (WL0202-PC).
Used in wicket with flat, standard and low threshold.

Weight, kg/pcs. 0.294
Measure unit pcs.
Supply rate, pcs. 10

Article	Code
C-36/41M	404410700

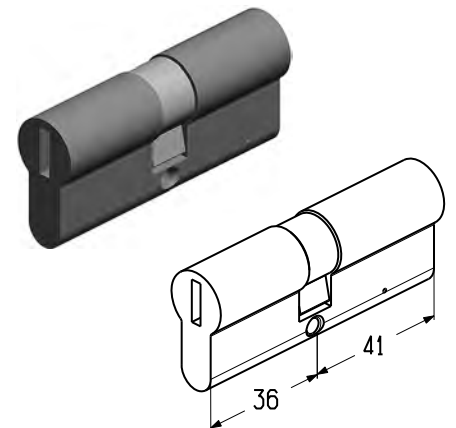


Wicket lock cylinder 36/41 mm

Designed for installation together with wicket lock mechanism (WL0202-PC).
Used in wicket with flat, standard and low threshold.

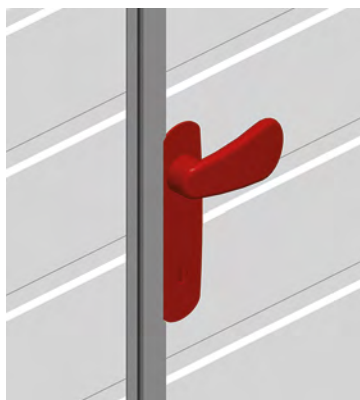
Weight, kg/pcs. 0.264
Measure unit pcs.
Supply rate, pcs. 10

Article	Code
C-36/41	404410500



WICKET ACCESSORIES

INSTALLATION OF EMERGENCY DOOR OPENING DEVICE



Outside view



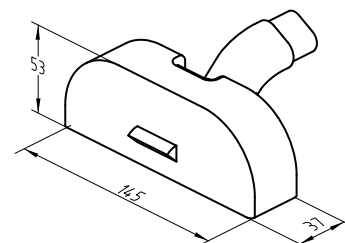
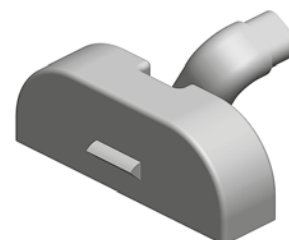
Inside view

Central lock

Designed to lock the wicket.
Used in wicket with flat, standard and low threshold.

Weight, kg/pcs. 0.84
Measure unit pcs.
Supply rate, pcs. 1

Article	Code
PED2016	407480100

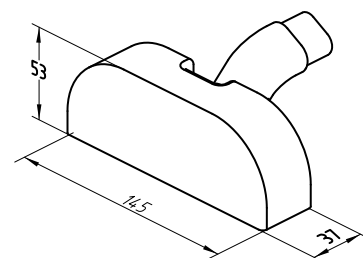
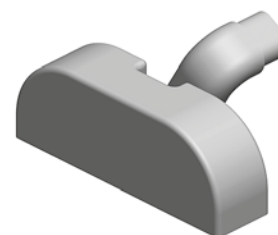


Wicket mechanism

Installed together with central lock (PED2016) and push rod (PED2018).
Used in wicket with flat, standard and low threshold.

Material galvanized steel
Weight, kg/pcs. 0.82
Measure unit pcs.
Supply rate, pcs. 1

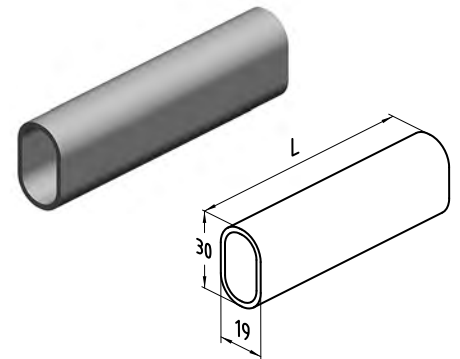
Article	Code
PED2017	407480200



Push rod

Designed for wicket opening from the inside.
Used in wicket with flat, standard and low threshold.

Length, mm 830
Material steel
Coating powder
Colour red
Weight, kg/pcs. 0.68
Measure unit pcs.
Supply rate, pcs. 1

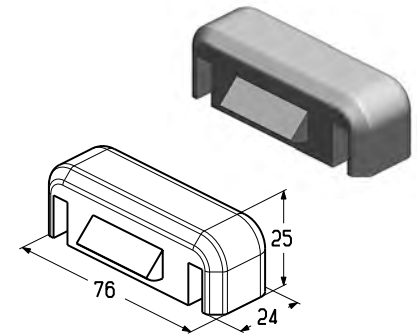


Article	Code
PED2018	407480300

Striking plate for central lock

Installed together with wicket mechanism (PED2017) and push rod (PED2018).
Used in wicket with flat, standard and low threshold.

Material galvanized steel
Weight, kg/pcs. 0.14
Measure unit pcs.
Supply rate, pcs. 1

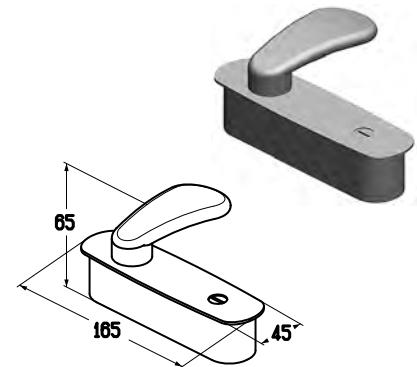


Article	Code
PED2019	407480400

Outside push handle

Designed for wicket opening from the outside.
Used in wicket with flat, standard and low threshold.

Colour silver
Weight, kg/pcs. 1.05
Measure unit pcs.
Supply rate, pcs. 1

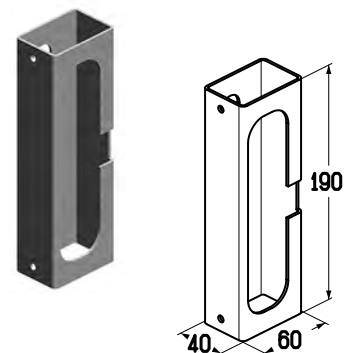


Article	Code
PED2020	407480500

Wicket body

Designed for installation together with outside push handle (PED2020).
Used in wicket with flat, standard and low threshold.

Material steel
Coating powder
Colour grey-white (close to RAL 9002)
Weight, kg/pcs. 0.50
Measure unit pcs.
Supply rate, pcs. 1



Article	Code	Notes
PED2025L	407480700	Left
PED2025R	407480600	Right

WICKET ACCESSORIES

INSTALLATION OF EMERGENCY DOOR OPENING DEVICE **B** FUNCTION



Outside view



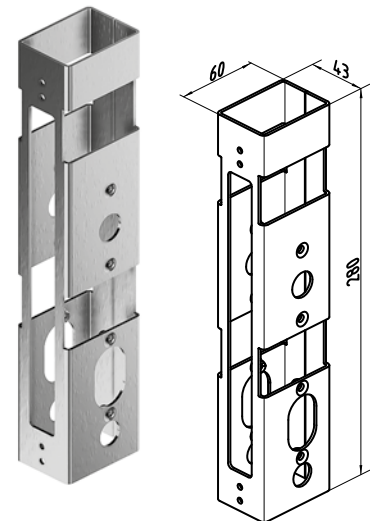
Inside view

Anti-panic B lock body

Designed for installation of wicket lock mechanism (WL0202-PC, WL0202-RC).
Used in wicket with flat, standard and low threshold.
Included in the set of emergency door opening device B function (PED21-45).

Material galvanized steel
Weight, kg/pcs. 0.573
Measure unit pcs.
Supply rate, pcs. 10

Article	Code
PED-2039	401700200

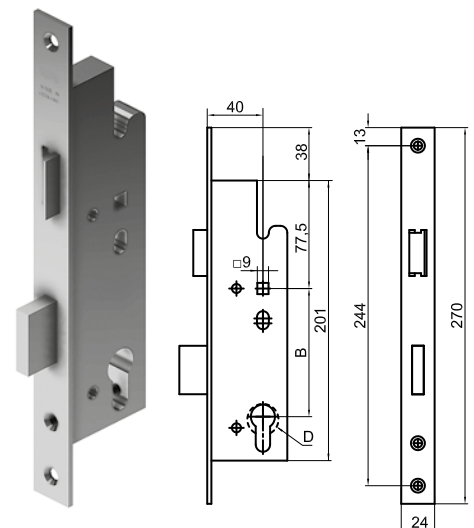


Anti-panic B lock mechanism

Used in wicket with flat, standard and low threshold.
Included in the set of emergency door opening device B function (PED21-45).

Weight, kg/pcs. 0.601
Measure unit pcs.
Supply rate, pcs. 1

Article	Code	Diameter D, mm	Distance B, mm	Notes
PED-2041-PC	418700138	17.3	92	Eurocylinder
PED-2041-RC	418700139	22.4	94	Swiss cylinder

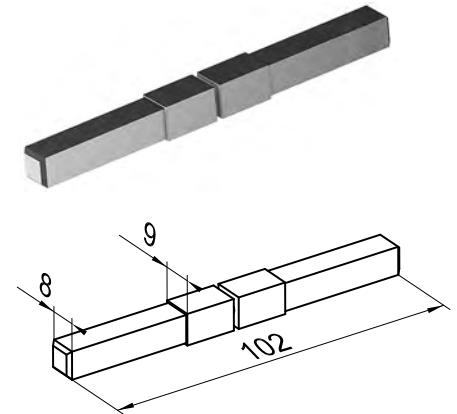


Anti-panic B square insert (divided)

Used in wicket with flat, standard and low threshold.
Included in the set of emergency door opening device B function (PED21-45).

Material galvanized steel
Weight, kg/pcs. 0.06
Measure unit pcs.
Supply rate, pcs. 10

Article	Code
PED-2042	401700500

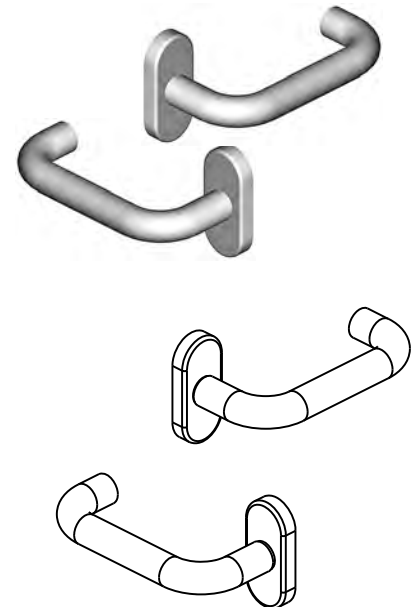


Anti-panic B handle set

Used in wicket with flat, standard and low threshold.
Included in the set of emergency door opening device B function (PED21-45).

Material stainless steel
Weight, kg/pcs. 0.275
Measure unit pcs.
Supply rate, pcs. 10

Article	Code	Application	Notes
PED-2040R	401700700	Right	Eurocylinder
PED-2040L	401700800	Left	

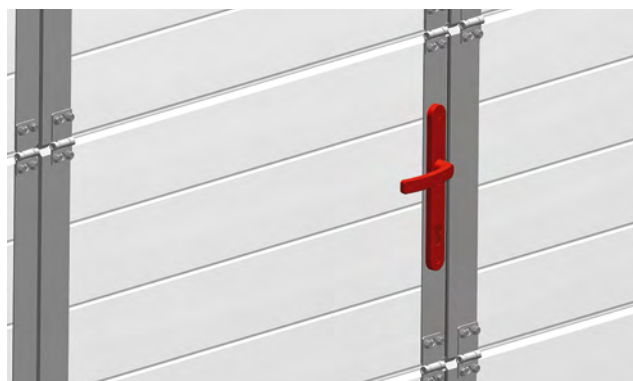


WICKET ACCESSORIES

INSTALLATION OF EMERGENCY DOOR OPENING DEVICE **E** FUNCTION



Outside view

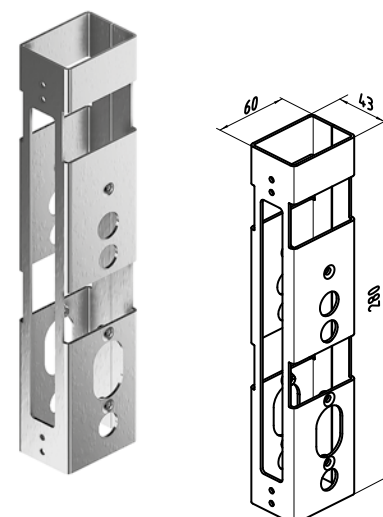


Inside view

Anti-panic E lock body

Used in wicket with flat, standard and low threshold.
Included in the set of emergency door opening device function E (PED22-45).

Material galvanized steel
Weight, kg/pcs. 0.573
Measure unit pcs.
Supply rate, pcs. 10

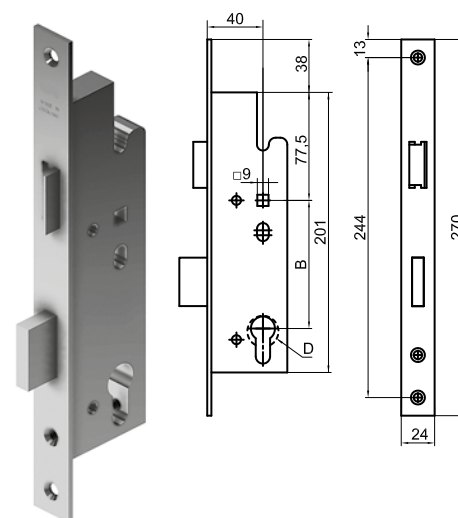


Article	Code
PED-2043	401700900

Anti-panic E lock mechanism

Used in wicket with flat, standard and low threshold.
Included in the set of emergency door opening device E function (PED22-45).

Weight, kg/pcs. 0.765
Measure unit pcs.
Supply rate, pcs. 10



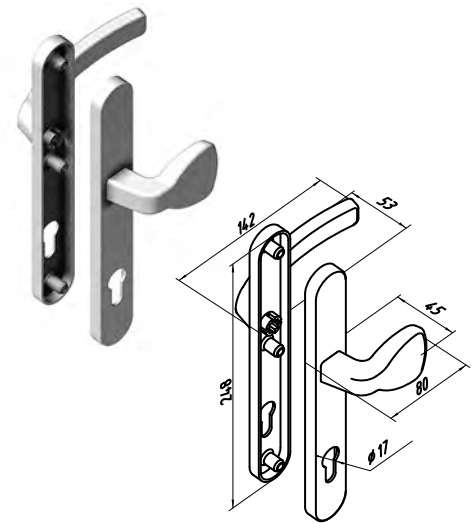
Article	Code	Diameter D, mm	Distance E, mm	Notes
PED-2044-PC	418700136	17.3	92	Eurocylinder
PED-2044-RC	418700137	22.4	94	Swiss cylinder

Anti-panic E handle set

Used in wicket with flat, standard and low threshold.
Included in the set of emergency door opening device E function (PED22-45).

Material zinc-based alloy
Weight, kg/pcs. 1.04
Measure unit pcs.
Supply rate, pcs. 10

Article	Code	Application	Notes
FLGU.400.1008	417200095	Right	Eurocylinder
FLGU.400.1009	417200195	Left	

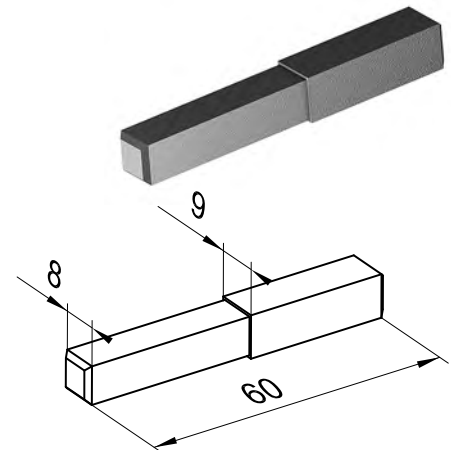


Anti-panic E square insert (divided)

Used in wicket with flat, standard and low threshold.
Included in the set of emergency door opening device E function (PED22-45).

Material galvanized steel
Weight, kg/pcs. 0.04
Measure unit pcs.
Supply rate, pcs. 1

Article	Code
PED-2045	401701200

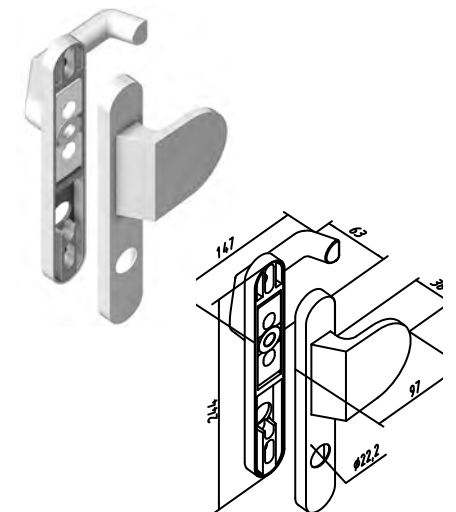


Wicket handle set

Used in wicket with flat, standard and low threshold.
Included in the set of emergency door opening device E function (PED22-45).

Material zinc-based alloy
Weight, kg/pcs. 1.0006
Measure unit pcs.
Supply rate, pcs. 1

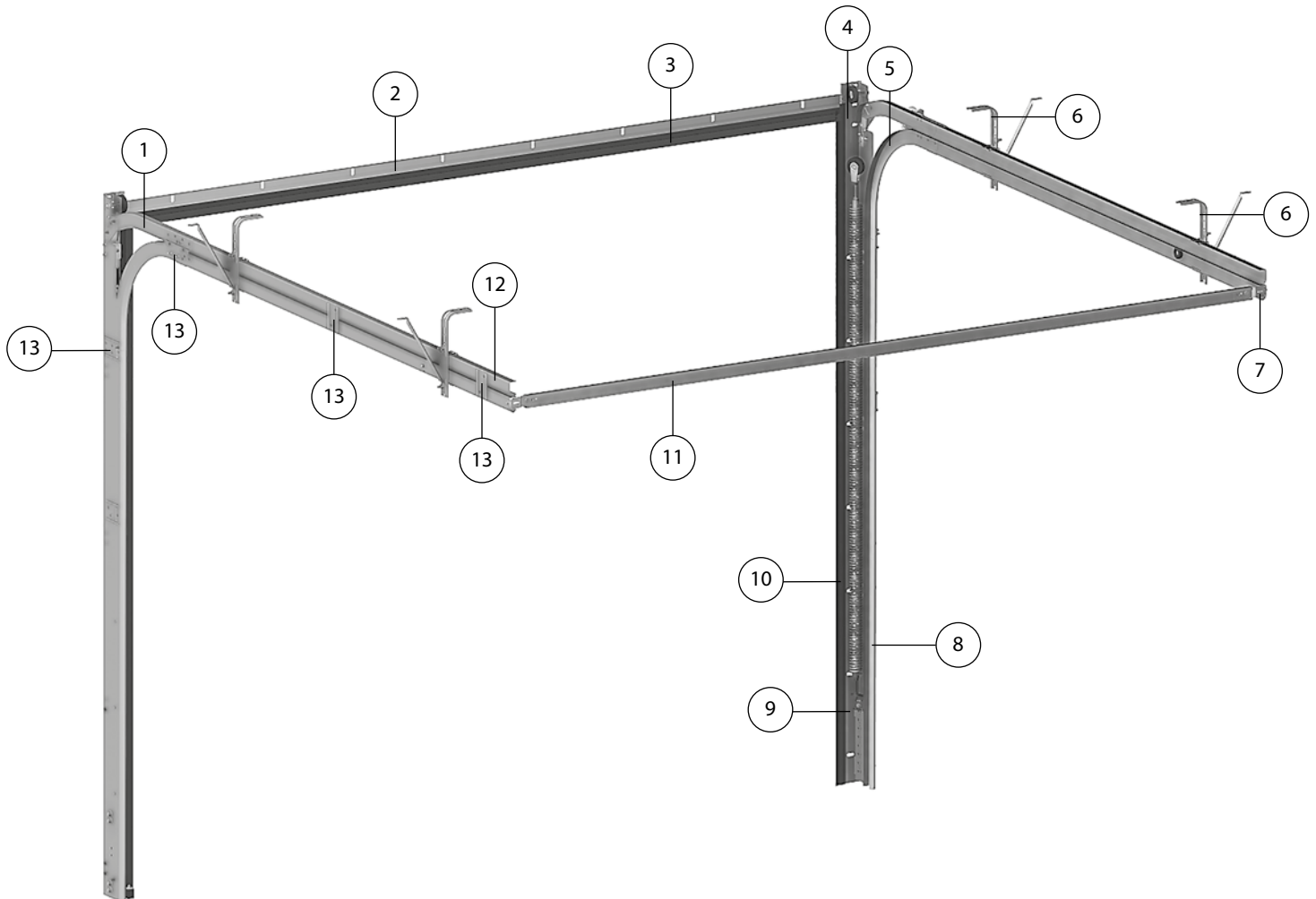
Article	Code	Coating	Colour	Distance between handle and door leaf (H), mm	Notes
11042513	415700116	Anodized	A00-D6 (anodizing)	38	Swiss cylinder



1.4

Track and hanger systems

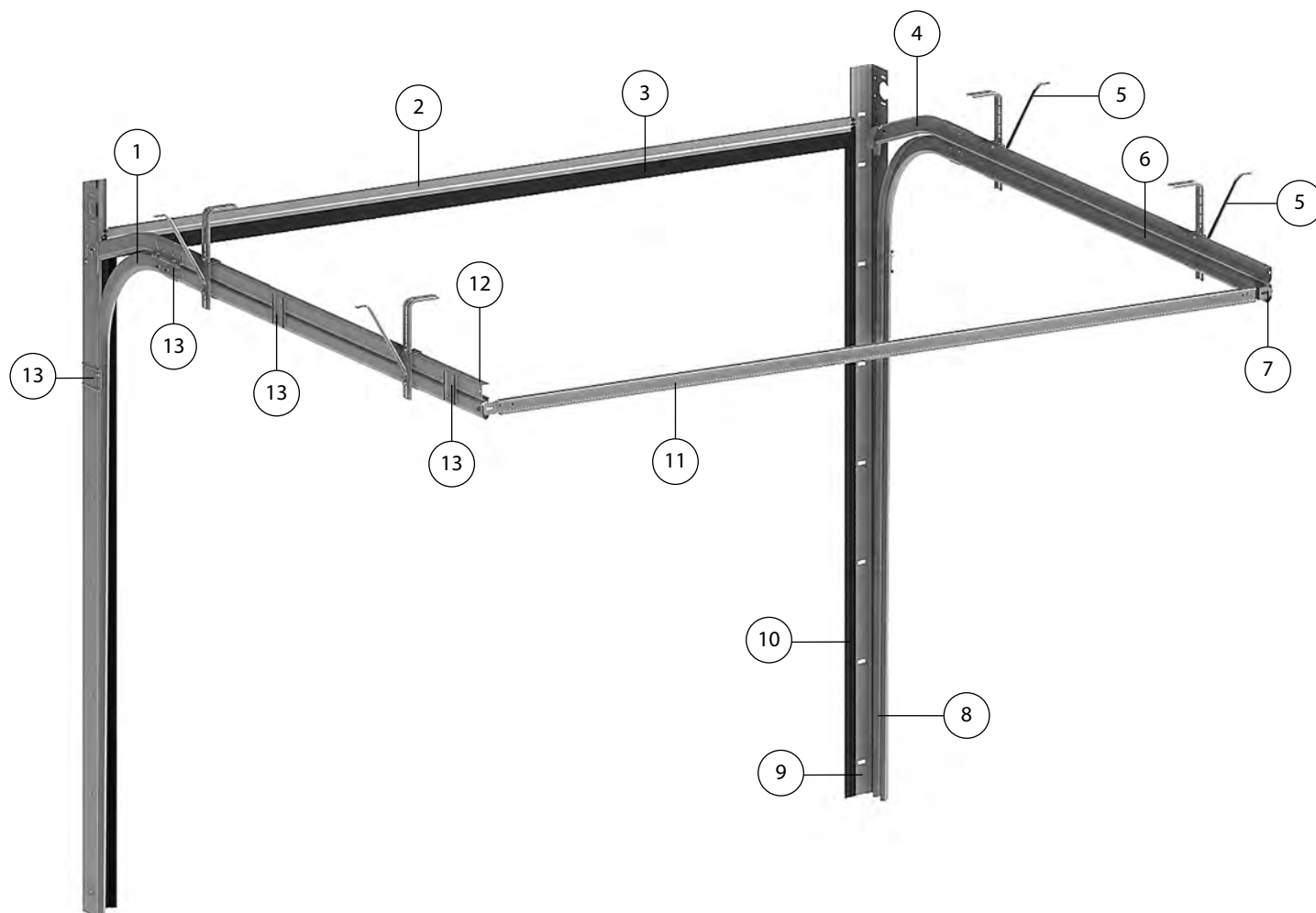
**PRESTIGE SERIES GARAGE DOORS
WITH TENSION SPRINGS**



No.	Item
1	Horizontal track set
2	Horizontal profile (cover strip)
3	Sealing insert (IS85)
4	Bracket
5	Radius element
6	Telescopic hanger
7	Spacer bar bracket B-3501

No.	Item
8	Vertical track profile
9	Angle profile
10	Sealing insert (IS85)
11	C-profile (spacer bar)
12	Horizontal track profile
13	Connecting plates

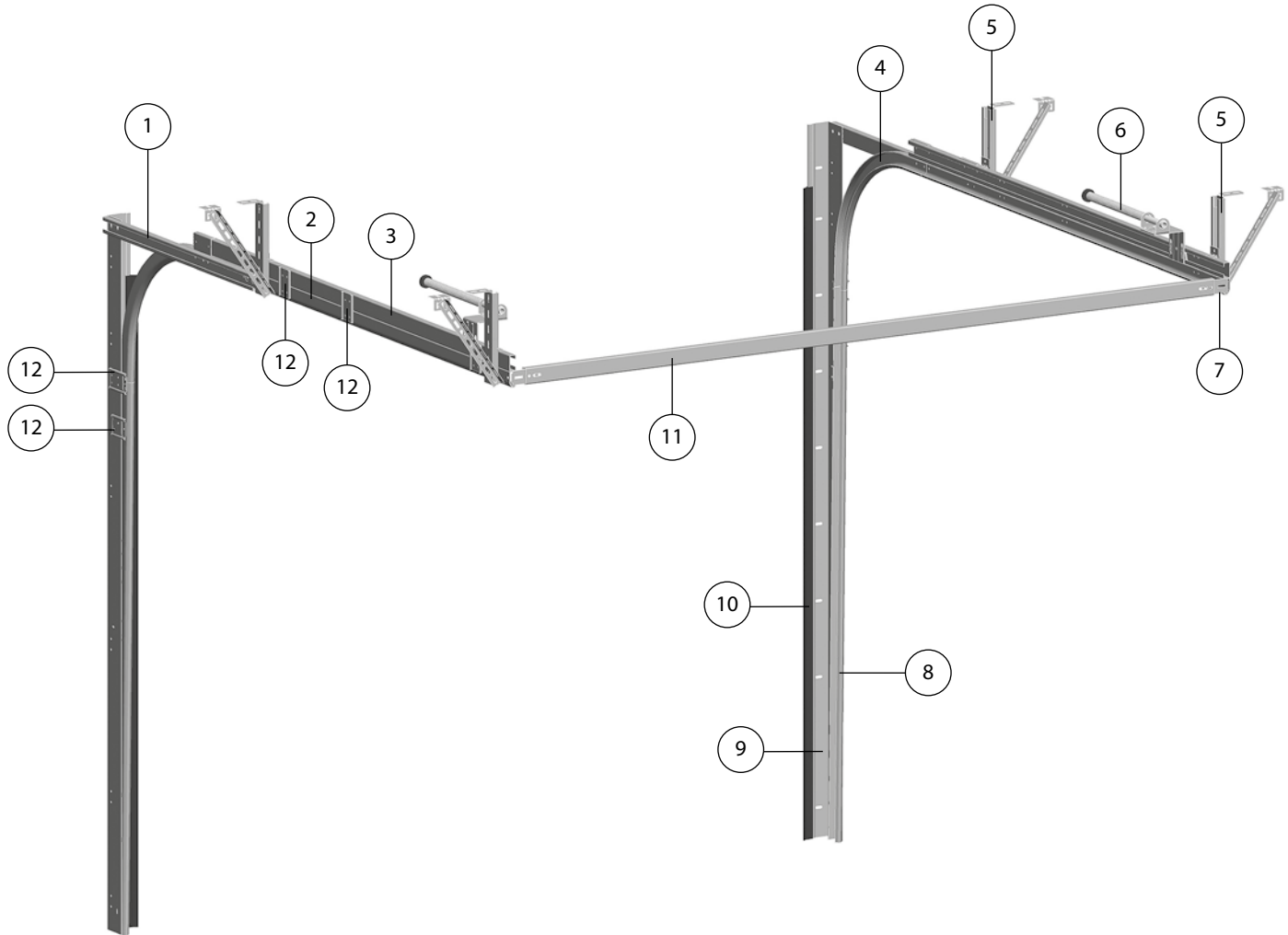
PRESTIGE SERIES GARAGE DOORS WITH TORSION SPRINGS (STANDARD MOUNTING)



No.	Item
1	Radius element
2	Horizontal profile (cover strip)
3	Sealing insert
4	Horizontal track set
5	Telescopic hanger
6	Rubber stopper
7	Spacer bar bracket

No.	Item
8	Vertical track profile
9	Angle profile
10	Sealing insert
11	C-profile (spacer bar)
12	Horizontal track profile
13	Connecting plates

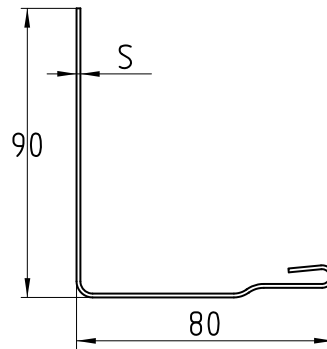
**STANDARD DESIGN OF TRACK AND HANGER SYSTEM
IN INDUSTRIAL DOORS OF STANDARD MOUNTING TYPE**



No.	Item
1	Horizontal track set
2	Horizontal track profile
3	C-profile
4	Radius element
5	Telescopic hanger
6	Damper

No.	Item
7	Spacer bar bracket
8	Vertical track profile
9	Angle profile
10	Sealing insert
11	C-profile (spacer bar)
12	Connecting plates

ANGLE PROFILES

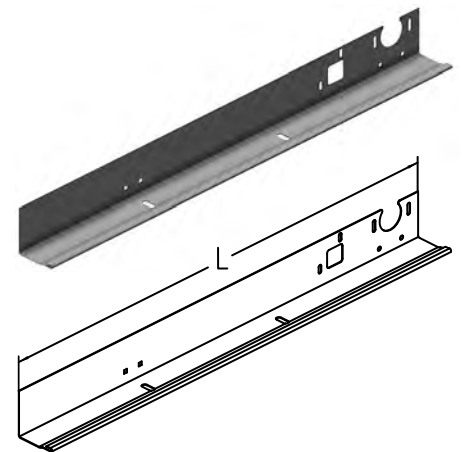


Angle profile

Designed for assembling the vertical track profiles. Used in garage doors of standard mounting type.

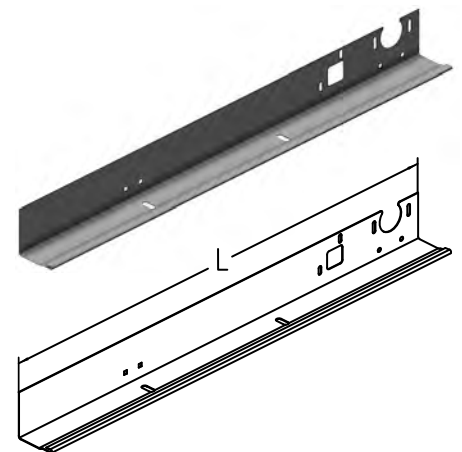
Thickness (S), mm 1.2
 Material galvanized steel
 Weight, kg/m 1.65
 Measure unit m

Article	Code	Notes	Length, mm	Supply rate, m	Supply rate, pcs
PRG32NL	402010900	Left	2295	34.425	15
			2420	36.300	15
			2545	38.175	15
			2670	40.050	15
			2810	42.150	15
			3010	45.150	15
			3295	49.425	15
PRG32NR	402011000	Right	2295	34.425	15
			2420	36.300	15
			2545	38.175	15
			2670	40.050	15
			2810	42.150	15
			3010	45.150	15
			3295	49.425	15



Thickness (S), mm 1.5
 Material galvanized steel
 Weight, kg/m 2.087
 Measure unit m

Article	Code	Notes	Length, mm	Supply rate, m	Supply rate, pcs
PRG02NL	402022900	Left	2295	34.425	15
			2420	36.300	15
			2545	38.175	15
			2670	40.050	15
			2810	42.150	15
			3010	45.150	15
			3295	49.425	15
			3460	51.900	15
PRG02NR	40202300	Right	2295	34.425	15
			2420	36.300	15
			2545	38.175	15
			2670	40.050	15
			2810	42.150	15
			3010	45.150	15
			3295	49.425	15
			3460	51.900	15

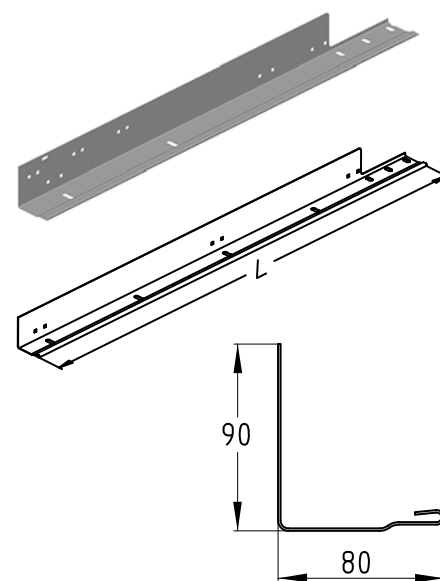


ANGLE PROFILES

Angle profile

Designed for assembling the vertical track profiles.
Used in garage doors with tension springs.

Thickness (S), mm 1.2
 Material galvanized steel
 Weight, kg/m 1.593
 Measure unit m



Article	Code	Notes	Length, mm	Supply rate, m	Supply rate, pcs
PRG02SL	402013400	Left	2185	131.1	60
			2350	141.0	60
			2435	146.1	60
			2600	156.0	60
			2810	168.6	60
			3185	191.1	60
PRG02SR	402013500	Right	2185	131.1	60
			2350	141.0	60
			2435	146.1	60
			2600	156.0	60
			2810	168.6	60
			3185	191.1	60

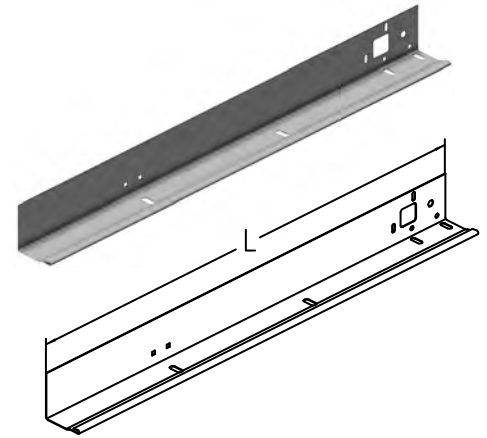
ANGLE PROFILES

Angle profile

Designed for assembling the vertical track profiles.
Used in garage doors of low mounting type.

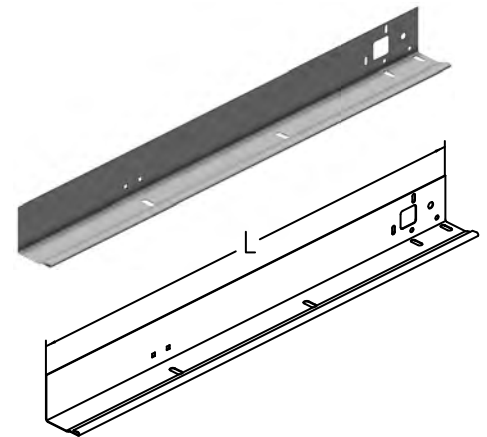
Thickness (S), mm 1.2
Material galvanized steel
Weight, kg/m 1.65
Measure unit m

Article	Code	Notes	Length, mm	Supply rate, m	Supply rate, pcs
PRG32LL	402011100	Left	2295	34.425	15
			2420	36.300	15
			2545	38.175	15
			2670	40.050	15
			2810	42.150	15
			3010	45.150	15
			3295	49.425	15
			3350	50.250	15
PRG32LR	402011200	Right	2295	34.425	15
			2420	36.300	15
			2545	38.175	15
			2670	40.050	15
			2810	42.150	15
			3010	45.150	15
			3295	49.425	15
			3350	50.250	15



Thickness (S), mm 1.5
Material galvanized steel
Weight, kg/m 2.106
Measure unit m

Article	Code	Notes	Length, mm	Supply rate, m	Supply rate, pcs
PRG02LL	402023100	Left	2295	34.425	15
			2420	36.300	15
			2545	38.175	15
			2670	40.050	15
			2810	42.150	15
			3010	45.150	15
			3295	49.425	15
			3350	50.250	15
PRG02LR	402022700	Right	2295	34.425	15
			2420	36.300	15
			2545	38.175	15
			2670	40.050	15
			2810	42.150	15
			3010	45.150	15
			3295	49.425	15
			3350	50.250	15

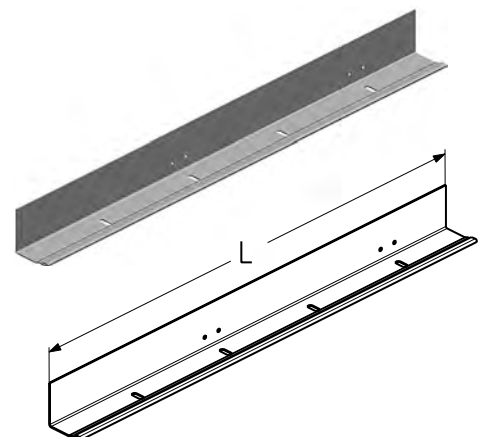


Angle profile

Designed for assembling the vertical track profiles.
Used in garage doors of high mounting type.

Thickness (S), mm 1.5
Material galvanized steel
Weight, kg/m 2.04
Measure unit m

Article	Code	Length, mm	Supply rate, m	Supply rate, pcs
PRG02H	402022800	4600	138.00	30
		3355	100.65	30
		3855	115.65	30
		4255	127.65	30
		4555	136.65	30



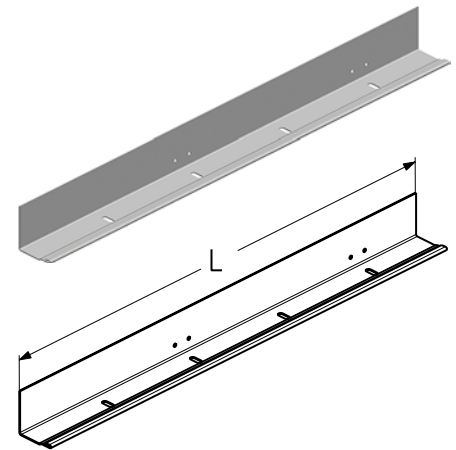
ANGLE PROFILES

Angle profile

Designed for assembling the vertical track profiles.
Used in garage doors of all mounting types, except for low and inclined low.

Thickness (S), mm 2
Material galvanized steel
Weight, kg/m 2.67
Measure unit m

Article	Code	Length, mm	Supply rate, m	Supply rate, pcs
PRG01	402032000	3355	100.65	30
		3855	115.65	30
		4255	127.65	30
		4555	136.65	30
		4755	142.65	30
		5055	151.65	30
		6000	180.00	30

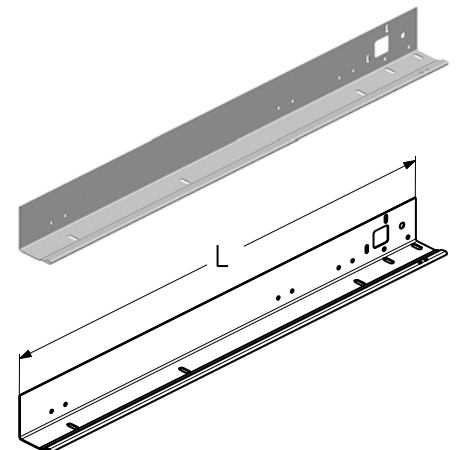


Angle profile

Designed for assembling the vertical track profiles.
Used in industrial doors of low mounting type.

Thickness (S), mm 2
Material galvanized steel
Weight, kg/m 2.66
Measure unit m

Article	Code	Notes	Length, mm	Supply rate, m	Supply rate, pcs
PRG01LL	402032100	Left	3355	50.325	15
			4155	62.325	15
			4555	68.325	15
			6000	90.000	15
PRG01LR	402032200	Right	3355	50.325	15
			4125	62.325	15
			4555	68.325	15
			6000	90.000	15

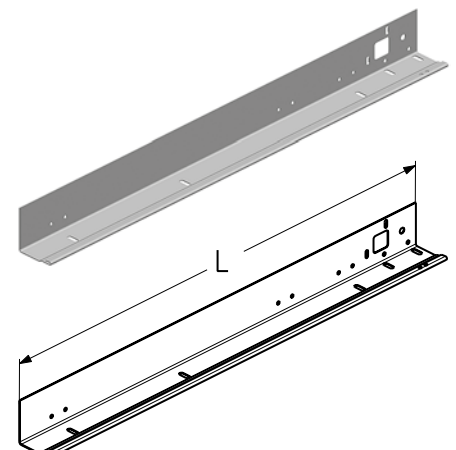


Angle profile

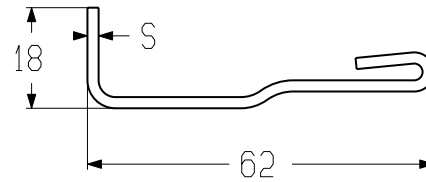
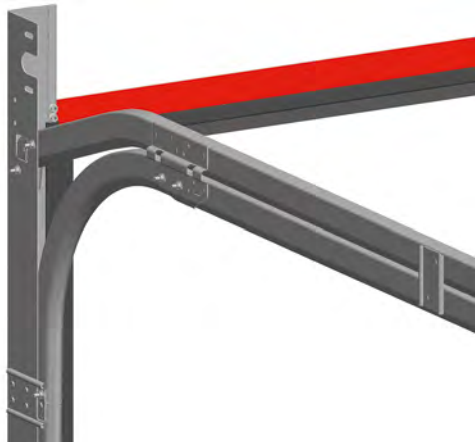
Designed for assembling the vertical track profiles.
Used in industrial doors of inclined low mounting type.

Thickness (S), mm 2
Material galvanized steel
Weight, kg/m 2.66
Measure unit m

Article	Code	Notes	Length, mm	Supply rate, m	Supply rate, pcs
PRG01FL	402032300	Left	3355	50.325	15
			4155	62.325	15
			4555	68.325	15
			6000	90.00	15
PRG01LFR	402032400	Right	3355	50.325	15
			4155	62.325	15
			4555	68.325	15
			6000	90.00	15



HORIZONTAL PROFILE



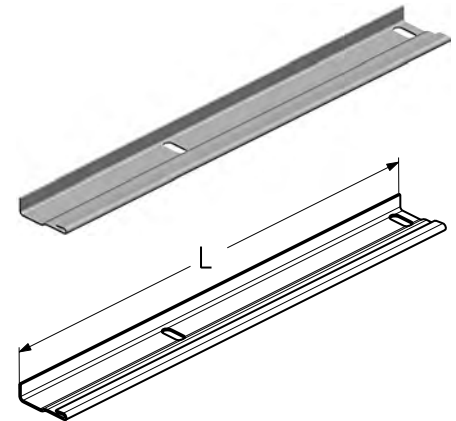
Horizontal profile (cover strip)

Designed for connecting the angle profiles and fixing the sealing insert (IS85).

Used in:

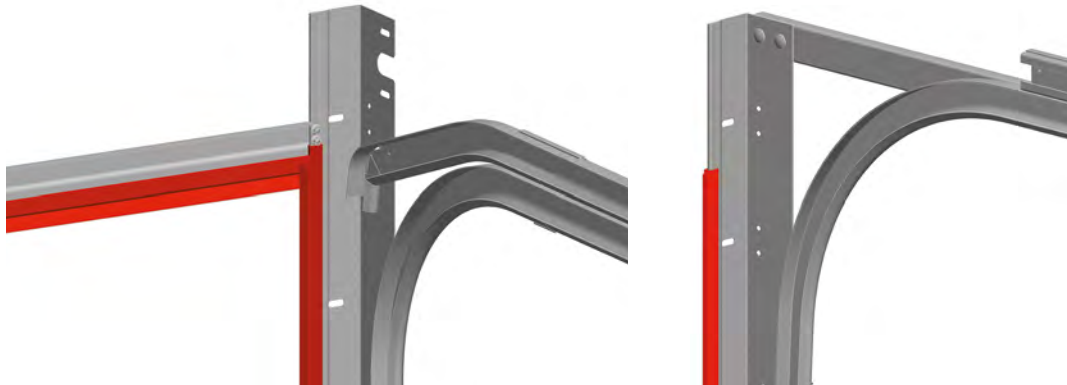
- garage doors with tension springs;
- garage doors of standard and high mounting types;
- industrial doors of low and inclined low mounting types.

Thickness (S), mm 1.2
 Material galvanized steel
 Weight, kg/m 0.825
 Measure unit m



Article	Code	Length, mm	Supply rate, m	Supply rate, pcs
PRG05S	402431000	5600	336.0	60
		6000	360.0	60

SEALING INSERT



Sealing insert

Designed for sealing of the opening.

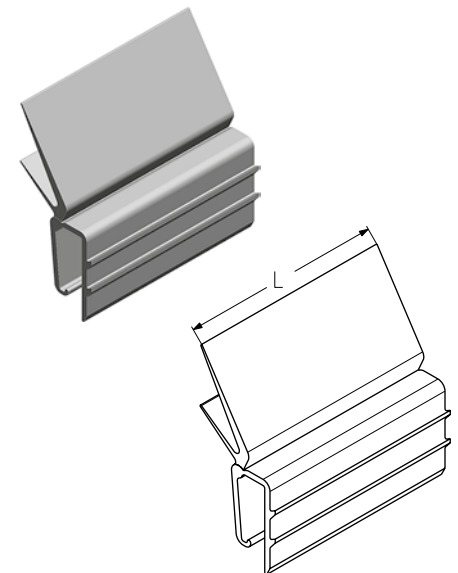
Installed:

- together with horizontal profile in garage doors with tension springs;
- together with horizontal profile in garage doors of standard and low mounting types;
- together with horizontal profile in industrial doors of low and inclined low mounting types;
- together with angle profile in garage and industrial doors of all mounting types.

Material PVC and TPR

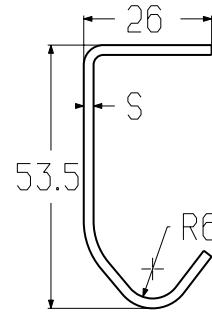
Weight, kg/m 0.2

Measure unit m



Article	Code	Length, mm	Supply rate, m	Supply rate, pcs
IS85-2550	401540600	2550	25.5	10
IS85-3060	401540100	3060	30.6	10
IS85-3550	401540700	3550	35.5	10
IS85-4100	401541200	4100	41.0	10
IS85-4580	401541300	4580	45.8	10
IS85-6000	401541300	6000	60.0	10
IS85-7000	401540800	7000	70.0	10
IS85-8000	401540900	8000	80.0	10

GARAGE DOORS TRACK PROFILE

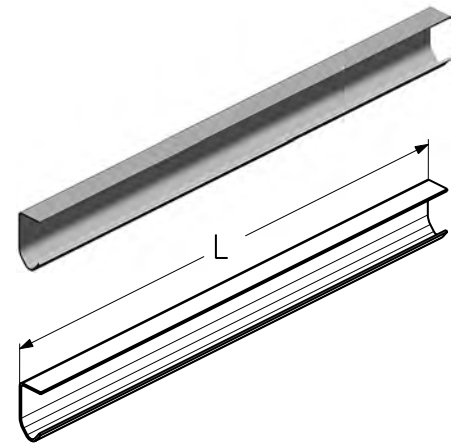


Track profile

Designed for creating a path for the door leaf movement. Installed together with angle profile PRG02SL, PRG02SR, PRG32LL, PRG32LR.
Used in garage doors with tension springs and garage doors of all mounting types with torsion springs.

Thickness (S), mm 1.2
Material galvanized steel
Weight, kg/m 0.891
Measure unit m

Article	Code	Length, mm	Supply rate, m	Supply rate, pcs
PRG04S	402130000	1795	89.75	50
		1920	96.00	50
		2045	102.25	50
		2170	108.50	50
		2295	114.75	50
		2435	121.75	50
		2727	136.35	50
		2970	148.50	50

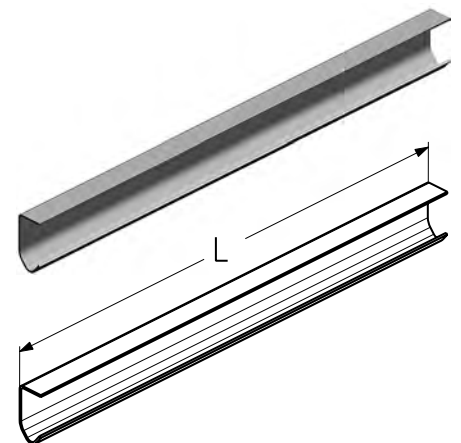


Track profile

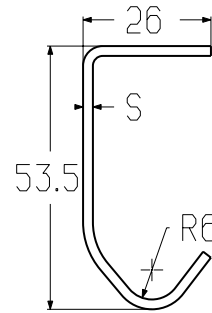
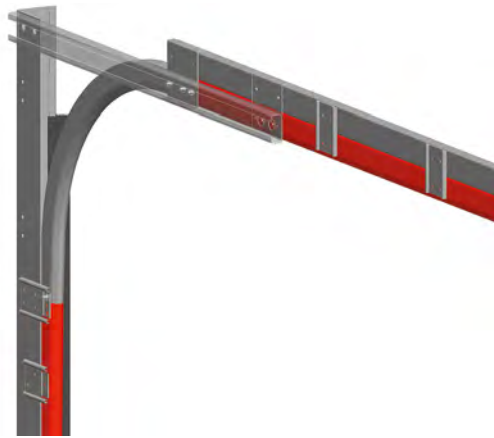
Designed for creating a path for the door leaf movement. Installed together with angle profile (PRG02).
Used in garage doors of all mounting types.

Thickness (S), mm 1.5
Material galvanized steel
Weight, kg/m 1.132
Measure unit m

Article	Code	Length, mm	Supply rate, m	Supply rate, pcs
PRG04	402110800	1795	89.75	50
		1920	96.00	50
		2045	102.25	50
		2170	108.50	50
		2295	114.75	50
		2435	121.75	50
		2727	136.35	50
		2800	140.00	50
		2970	148.50	50
		3500	175.00	50
		4060	203.00	50
		4350	217.50	50



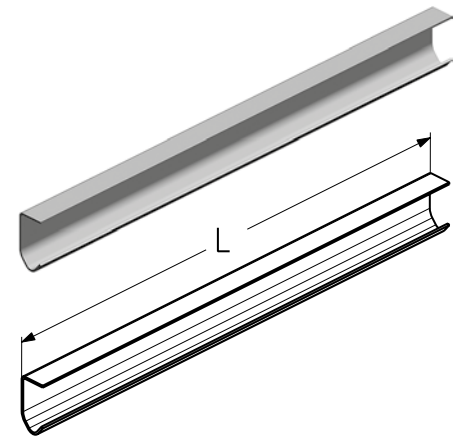
INDUSTRIAL DOORS TRACK PROFILE



Track profile

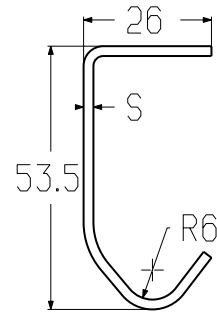
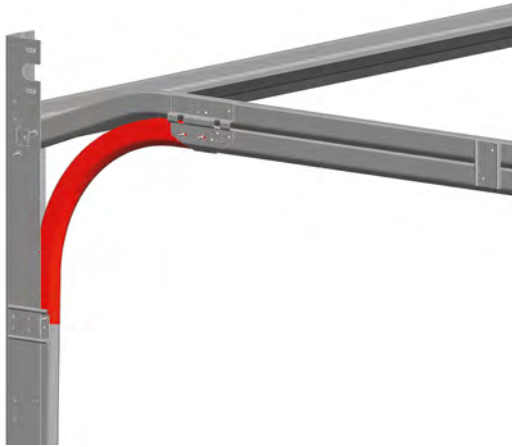
Designed for creating a path for the door leaf movement. Installed together with angle profile (PRG01).
Used in industrial doors of all mounting types.

Thickness (S), mm 2
 Material galvanized steel
 Weight, kg/m 1.439
 Measure unit m



Article	Code	Length, mm	Supply rate, m	Supply rate, pcs
PRG03	402120600	2800	140.0	50
		3500	175.0	50
		8000	480.0	60
		4060	203.0	50
		4350	217.5	50
		5000	250.0	50
		6000	300.0	50

RADIUS ELEMENT

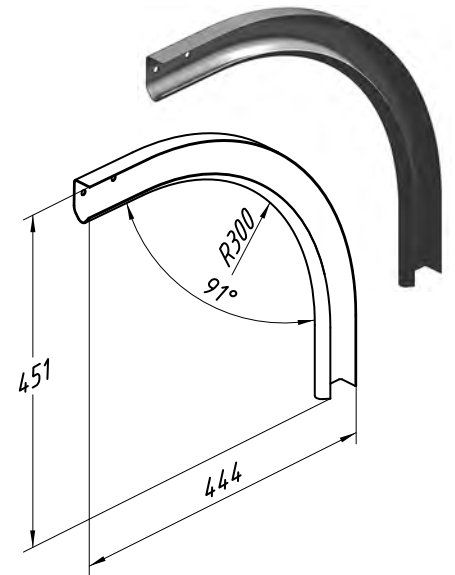


Radius element left/right

Designed for connecting the vertical and horizontal track profiles.

Radius, mm	300
Material	galvanized steel
Measure unit	pcs.
Supply rate, pcs.....	60

Article	Code	Thickness S, mm	Weight, kg/pcs.	Notes	Application
RE801SL	402210000	1.2	0.605	Left	<ul style="list-style-type: none"> for garage doors with tension springs; for garage doors of standard and low mounting types.
RE801SR	402210100	1.2	0.605	Right	
RE801L	402220000	1.5	0.745	Left	for garage doors of standard and low mounting types.
RE801R	402220100	1.5	0.745	Right	

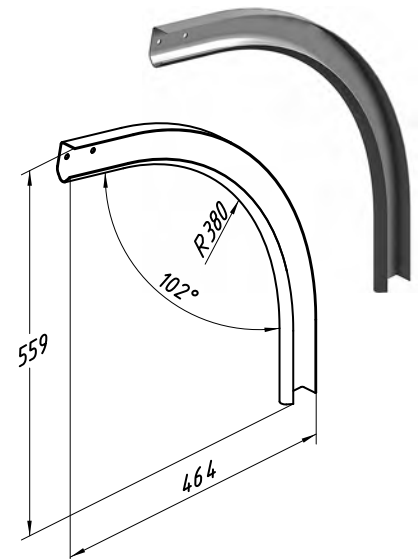


Radius element left/right

Designed for connecting the vertical and horizontal track profiles.
Used in garage doors of high mounting type.

Radius, mm	380
Material	galvanized steel
Thickness (S), mm	1.5
Weight, kg/pcs.	0.86
Measure unit	pcs.
Supply rate, pcs.....	60

Article	Code	Notes
RE701HL	402220200	Left
RE701HR	402220300	Right



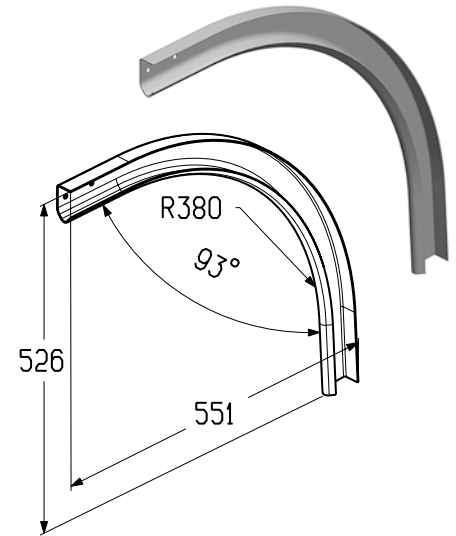
RADIUS ELEMENT

Radius element left/right

Designed for connecting the vertical and horizontal track profiles.
Used in industrial doors of standard, high with top and bottom shaft positioning and low mounting types.

Radius, mm	380
Thickness (S), mm	2
Material	galvanized steel
Weight, kg/pcs.	1.274
Measure unit.....	pcs.
Supply rate, pcs.....	60

Article	Code	Notes
RE101L	402230000	Left
RE101R	402230100	Right

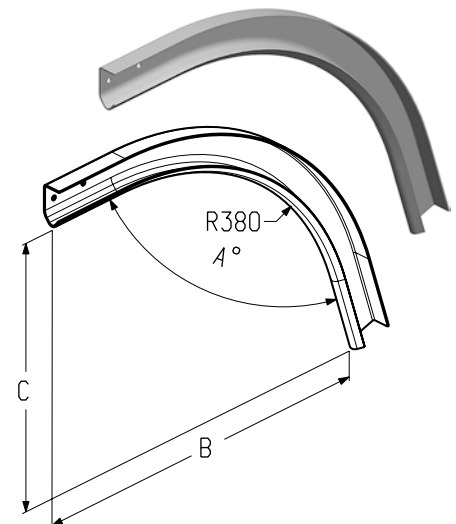


Radius element left/right

Designed for connecting the vertical and horizontal track profiles.
Used in industrial doors of inclined, inclined high with top and bottom shaft positioning and inclined low mounting types.

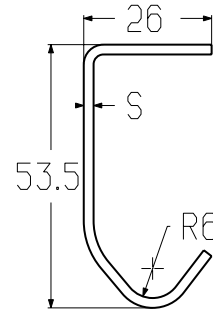
Radius, mm	380
Thickness (S), mm	2
Material	galvanized steel
Measure unit.....	pcs.
Supply rate, pcs.....	60

Article	Code	Main parameters			Inclination,* degree	Weight, kg/pcs.	Notes
		A, degree	B, mm	C, mm			
RE101FL-5	402230200	97	445	445	5	1.218	Left
RE101FR-5	402230300	97	445	445	5	1.218	Right
RE101FL-10	402230400	102	411	411	10	1.163	Left
RE101FR-10	402230500	102	411	411	10	1.163	Right
RE101FL-15	402230600	107	376	376	15	1.110	Left
RE101FR-15	402230700	107	376	376	15	1.110	Right
RE101FL-20	402230800	112	342	342	20	1.055	Left
RE101FR-20	402230900	112	342	342	20	1.055	Right
RE101FL-25	402231000	117	307	307	25	1.050	Left
RE101FR-25	402231100	117	307	307	25	1.050	Right
RE101FL-30	402231200	122	274	274	30	0.958	Left
RE101FR-30	402231300	122	274	274	30	0.958	Right
RE101FL-35	402231400	128	260	260	35	1.001	Left
RE101FR-35	402231500	128	260	260	35	1.001	Right
RE101FL-40	402231600	133	245	245	40	1.024	Left
RE101FR-40	402231700	133	245	245	40	1.024	Right
RE101FL-45	402231800	138	210	230	45	1.010	Left
RE101FR-45	402231900	138	210	230	45	1.010	Right



* Horizontal track profile inclination.

HORIZONTAL TRACK SET

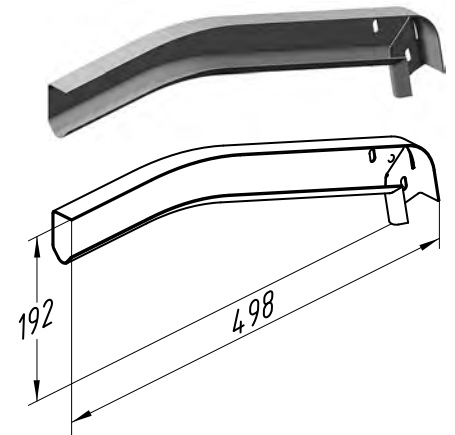


Left/right horizontal track set

Designed for creating a path for the top door panel, installed together with track profile (PRG04, PRG04S).
Used in garage doors of standard mounting type.

Material galvanized steel
Measure unit pcs.
Supply rate, pcs. 60

Article	Code	Thickness (S), mm	Weight, kg/pcs.	Application
S340NL	402310200	1.2	0.474	Left
S340NR	402310300	1.2	0.474	Right
S840NL	402320000	1.5	0.596	Left
S840NR	402320100	1.5	0.596	Right

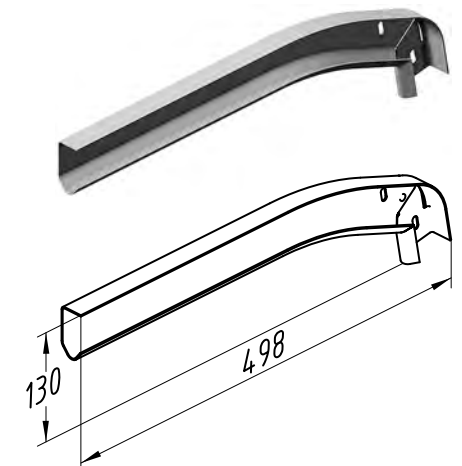


Left/right horizontal track set

Designed for creating a path for the top door panel, installed together with track profile (PRG04, PRG04S).

Material galvanized steel
Measure unit pcs.
Supply rate, pcs. 60

Article	Code	Thickness (S), mm	Weight, kg/pcs.	Notes	Application
S940SL	402310000	1.2	0.470	Left	<ul style="list-style-type: none"> • for garage doors with tension springs; • for garage doors of low mounting type
S940SR	402310100	1.2	0.470	Right	
S940LL	402320200	1.5	0.596	Left	for garage doors of low mounting type
S940LR	402320300	1.5	0.596	Right	



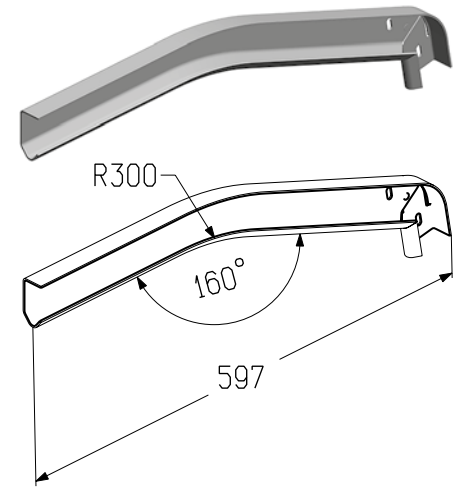
HORIZONTAL TRACK SET

Left/right horizontal track set

Designed for creating a path for the top door panel, installed together with track profile (PRG03).
Used in industrial doors of low mounting type.

Thickness (S), mm 2
 Material galvanized steel
 Weight, kg/pcs. 0.875
 Measure unit pcs.
 Supply rate, pcs. 60

Article	Code	Notes
S140LL	402330000	Left
S140LR	402330100	Right

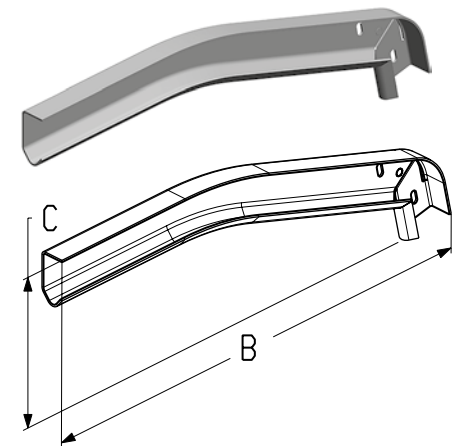


Left/right horizontal track set

Designed for creating a path for the top door panel, installed together with track profile (PRG03).
Used in industrial doors of inclined low mounting type, in industrial doors of low mounting type with front shaft positioning (S-160NL, S-160LNR).

Thickness (S), mm 2
 Material galvanized steel
 Measure unit pcs.
 Supply rate, pcs. 60

Article	Code	Main parameters		Inclination,* degree	Weight, kg/pcs.	Notes
		B, mm	C, mm			
S140LFL-5	402330200	559	237	5	0.870	Left
S140LFR-5	402330300	559	237	5	0.870	Right
S140LFL-10	402330400	543	201	10	0.810	Left
S140LFR-10	402330500	543	201	10	0.810	Right
S140LFL-15	402330600	506	168	15	0.755	Left
S140LFR-15	402330700	506	168	15	0.755	Right
S140LFL-20	402330800	473	139	20	0.705	Left
S140LFR-20	402330900	473	139	20	0.705	Right
S140LFL-25	402331000	441	111	25	0.685	Left
S140LFR-25	402331100	441	111	25	0.685	Right
S140LFL-30	402331200	409	86	30	0.645	Left
S140LFR-30	402331300	409	86	30	0.645	Right
S140LFL-35	402331600	427	86	35	0.650	Left
S140LFR-35	402331700	427	86	35	0.650	Right
S140LFL-40	402331800	427	86	40	0.650	Left
S140LFR-40	402331900	427	86	40	0.650	Right
S140LFL-45	402332000	407	86	45	0.620	Left
S140LFR-45	402332100	407	86	45	0.620	Right
S-160LNL	402332300	636	137	20	0.943	Left
S-160LNR	402332200	636	137	20	0.943	Right



* Horizontal track profile inclination.

TRACK PROFILES



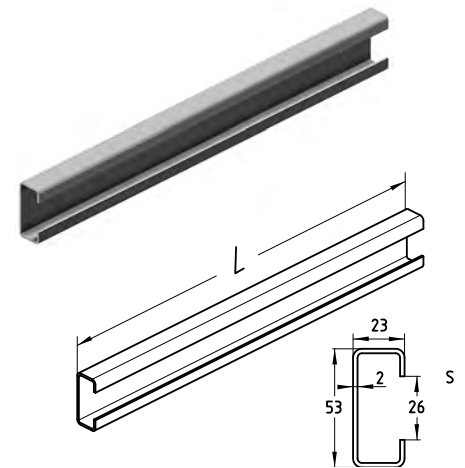
C-profile

Designed for assembling the spacer bar in industrial doors of all mounting types except for low and inclined low. Designed for reinforcing the horizontal track profile in:

- garage doors of high mounting type;
- industrial doors of all mounting types except for low and inclined low.

Designed for connecting the angle profile and track profile in industrial doors of vertical mounting type with top shaft positioning.

Material galvanized steel
Weight, kg/m 1.74
Measure unit m

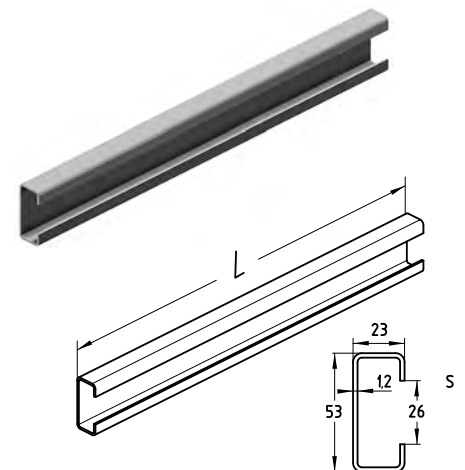


Article	Code	Length (L), mm	Supply rate, m	Supply rate, pcs
PRG07N	402421600	3045	152.25	50
		3245	162.65	50
		3550	177.50	50
		4050	202.50	50
		4550	227.50	50
		5106	255.30	50
		5600	280.00	50
		6000	300.00	50
		6860	343.00	50
		10040	502.00	50

C-profile

Designed for assembling the spacer bar.

Thickness (S), mm 1.2
Material galvanized steel
Weight, kg/m 1.76
Measure unit m



Article	Code	Length (L), mm	Supply rate, m	Supply rate, pcs
PRG07NS	402470000	2550	127.50	50
		2645	132.25	50
		2845	142.25	50
		3050	152.50	50
		3545	177.25	50

C-PROFILE (SPACER BAR)

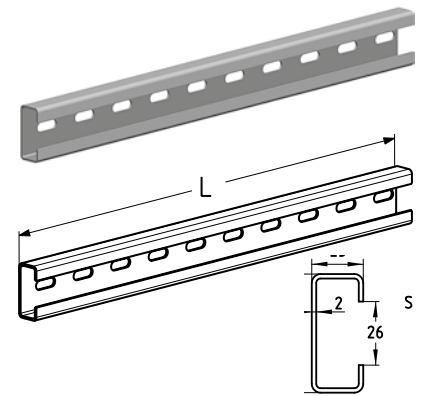


C-profile

Perforated, designed for assembling the spacer bar.
Used in industrial doors of low and inclined low mounting types.

Material galvanized steel
Weight, kg/m 1.67
Measure unit m

Article	Code	Length (L), mm	Supply rate, m	Supply rate, pcs
PRG07	402421500	6000	300	50

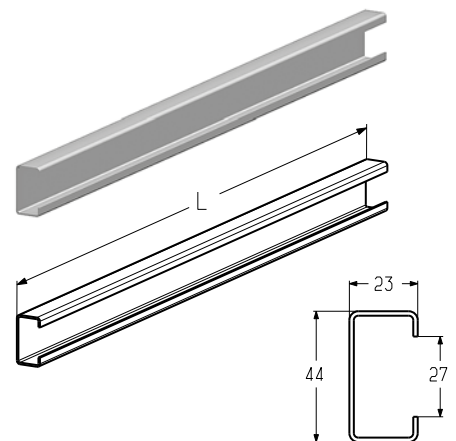


C-profile

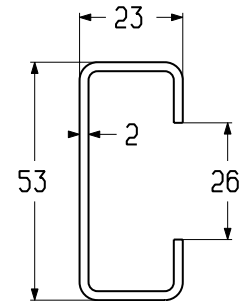
Designed for assembling the spacer bar.
Used in garage doors with tension springs and garage doors of all mounting types with torsion springs.

Thickness, mm 1.5
Material galvanized steel
Length, mm 5700
Weight, kg/m 1.133
Measure unit m

Article	Code
PRG-33-5700	402480100



HORIZONTAL SET



Left/right horizontal set

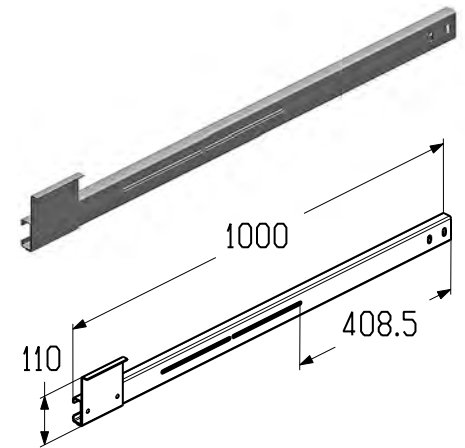
Designed for connecting the angle profile and horizontal track profile.

Used in:

- garage doors of high mounting type;
- industrial doors of standard and high mounting types with top or bottom shaft positioning.

Length, mm	960
Material	galvanized steel
Weight, kg/pcs.	1.768
Measure unit	pcs.
Supply rate, pcs.....	100

Article	Code	Notes
S-171L	402500300	Left
S-171R	402500400	Right



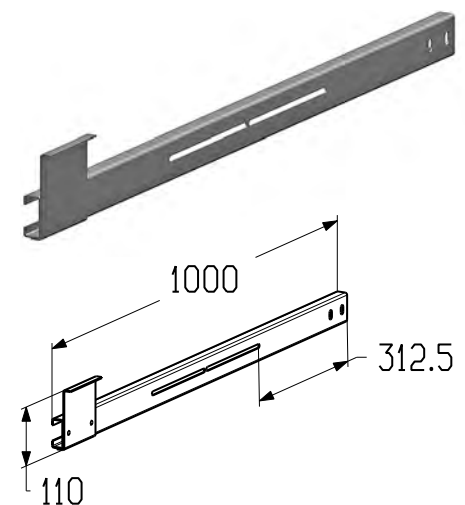
Left/right horizontal set

Designed for connecting the angle profile and horizontal track profile.

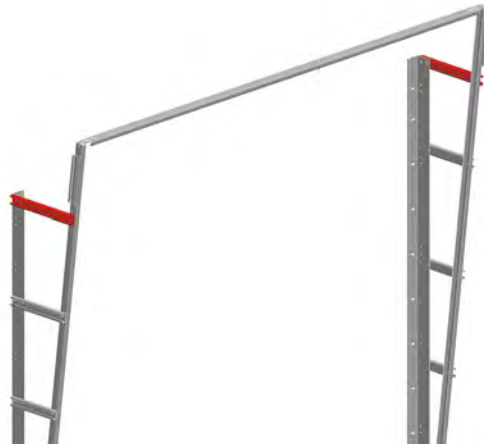
Used in industrial doors of inclined, inclined high mounting types with top or bottom shaft positioning.

Length, mm	760
Material	galvanized steel
Weight, kg/pcs.	1.486
Measure unit	pcs.
Supply rate, pcs.....	100

Article	Code	Notes
S-172L	402500500	Left
S-172R	402500600	Right



CONNECTING BRACKET

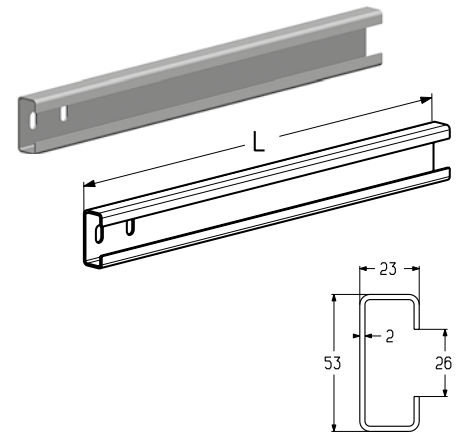


Connecting bracket

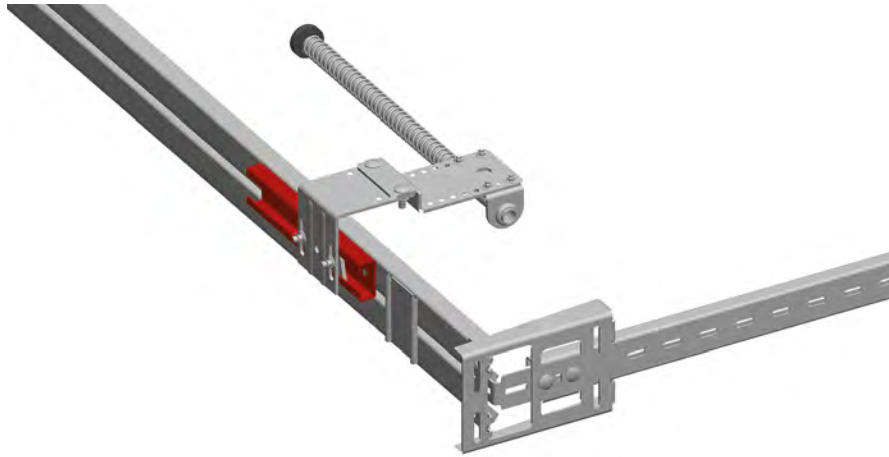
Designed for connecting the angle profile and the track profile.
Used in industrial doors of vertical mounting type with top shaft positioning.

Material galvanized steel
Measure unit pcs.
Supply rate, pcs..... 100

Article	Code	Length (L), mm	Weight, kg/pcs.
CB132-450	402600000	450	0.75
CB132-500	402600100	500	0.83



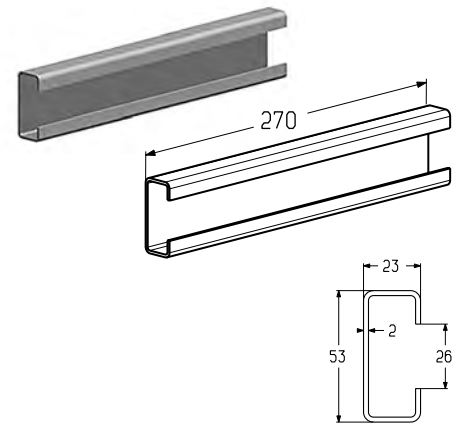
BRACKET



Bracket

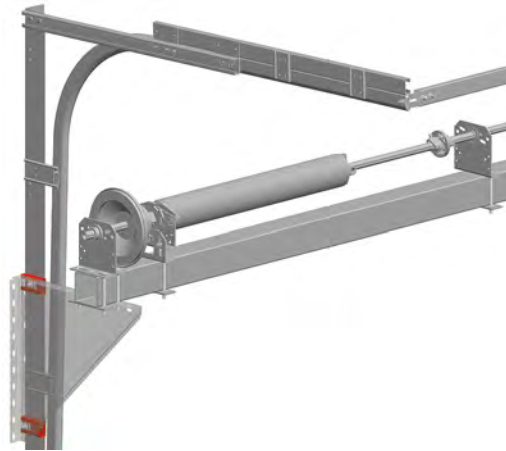
Designed for damper installation.
Used in industrial doors of vertical mounting type with top or bottom shaft positioning, of low and inclined low mounting types.

Length, mm	270
Material	galvanized steel
Weight, kg/pcs.	0.29
Measure unit	pcs.
Supply rate, pcs.....	50



Article	Code
B134	402600200

BRACKET

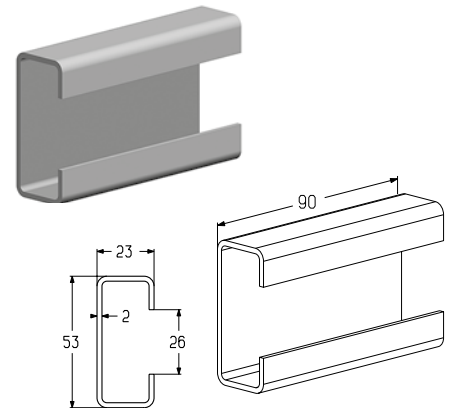


Bracket

Designed for bracket (TP-550) installation.
Used in industrial doors of high, vertical, inclined high mounting types with bottom shaft positioning.

Material galvanized steel
Weight, kg/pcs. 0.15
Measure unit pcs.
Supply rate, pcs..... 150

Article	Code
B133	402600300



SUPPORT PROFILE

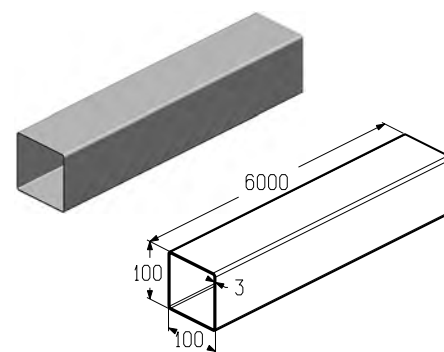


Support profile

Designed for torsion shaft installation.

Used in industrial doors of high, vertical, inclined high mounting types with bottom shaft positioning.

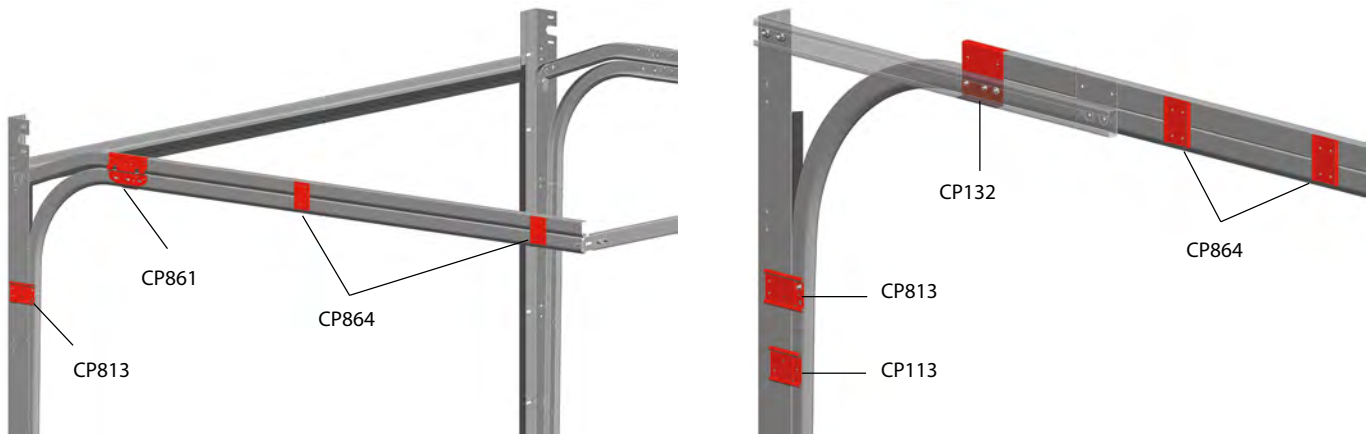
Length, mm	6000
Material	galvanized steel
Weight, kg/m	9
Measure unit	m
Supply rate, m	54



Article	Code
T-100-6000	402440000

BRACKETS AND CONNECTING PLATES

CONNECTING PLATE INSTALLATION



Connecting plate

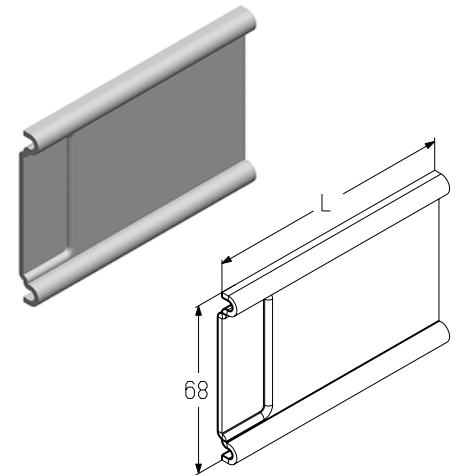
Designed for connecting the angle profile with vertical track profile.

Used in:

- garage doors of high mounting type;
- industrial doors of all mounting types.

Material galvanized steel
Measure unit pcs.

Article	Code	Length (L), mm	Weight, kg/pcs.	Supply rate, pcs
CP113-80	402810100	80	0.096	200
CP113-100	402810200	100	0.120	200
CP113-120	402810300	120	0.144	170
CP113-130	402810400	130	0.156	120
CP113-150	402810500	150	0.180	120
CP113-180	402810600	180	0.216	110



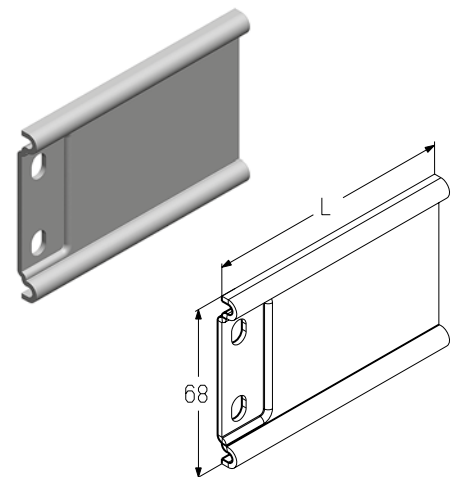
Connecting plate

Designed for connecting the angle profile with vertical track profile.

Used in garage doors with tension springs and torsion springs, industrial doors of all mounting types.

Material galvanized steel
Measure unit pcs.

Article	Code	Length (L), mm	Weight, kg/pcs.	Supply rate, pcs
CP813-100	402810700	100	0.119	220
CP813-120	402810800	120	0.142	170
CP813-150	402810900	150	0.176	120
CP813-180	402811000	180	0.214	110



BRACKETS AND CONNECTING PLATES

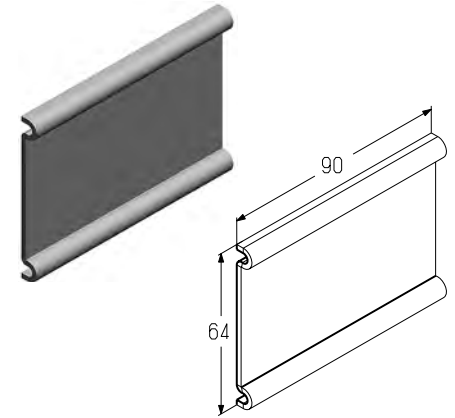
Connecting plate

Designed for connecting the horizontal track profiles.

Used in garage doors with tension springs and torsion springs, industrial doors of all mounting types.

Material galvanized steel
 Weight, kg/pcs. 0.112
 Measure unit pcs.
 Supply rate, pcs. 170

Article	Code
CP864	402811200



Front connecting plate

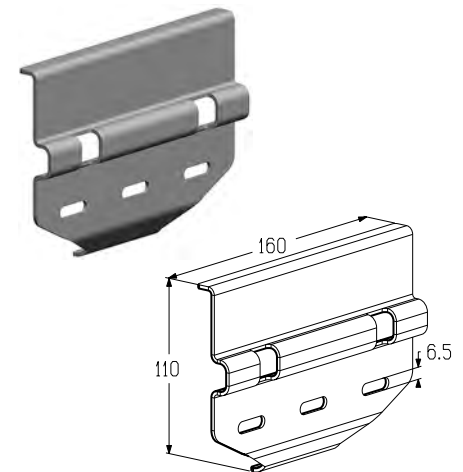
Designed for connecting the horizontal track profile with radius element and horizontal track set.

Used in:

- garage doors with tension springs;
- garage doors of standard and low mounting types;
- industrial doors of low and inclined low mounting types.

Material galvanized steel
 Measure unit pcs.
 Supply rate, pcs. 80

Article	Code	Thickness, mm	Weight, kg/pcs.
CP861	402811100	2.0	0.294
CP861S	402811400	1.2	0.170



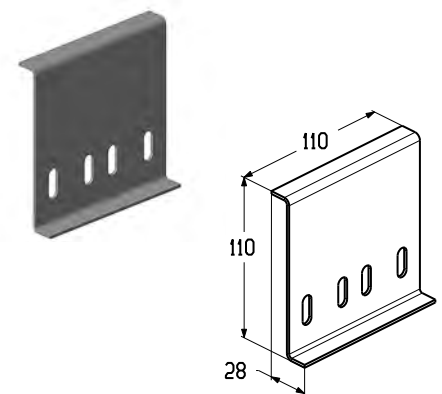
Front connecting plate

Designed for connecting the horizontal track profile with radius element and horizontal track set.

Used in industrial doors of all mounting types (except for low).

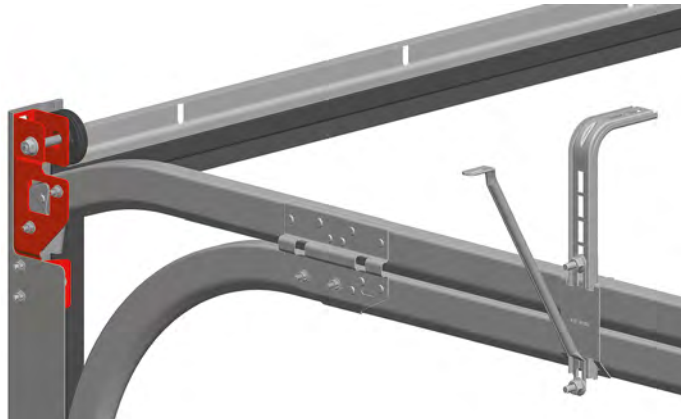
Material galvanized steel
 Weight, kg/pcs. 0.215
 Measure unit pcs.
 Supply rate, pcs. 100

Article	Code
CP-133	402811900



BRACKETS AND CONNECTING PLATES

BRACKET INSTALLATION



Left/right bracket

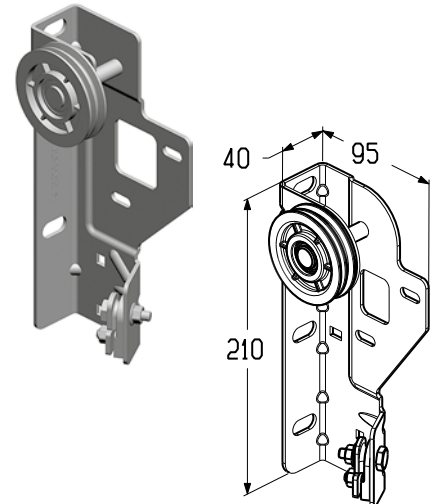
Used in garage doors with tension springs.

Designed for:

- fixing the horizontal track set;
- fixing the cable.

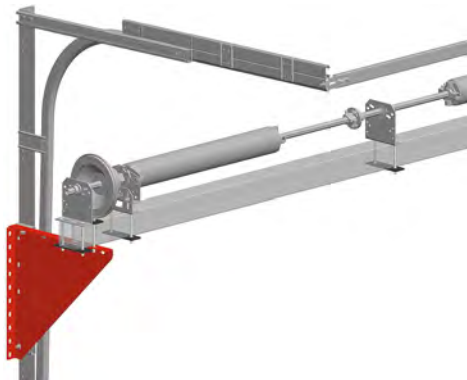
Material galvanized steel
 Weight, kg/pcs. 0.540
 Measure unit pcs.
 Supply rate, pcs. 24

Article	Code	Notes
B180SL	402630100	Left
B180SR	402630200	Right

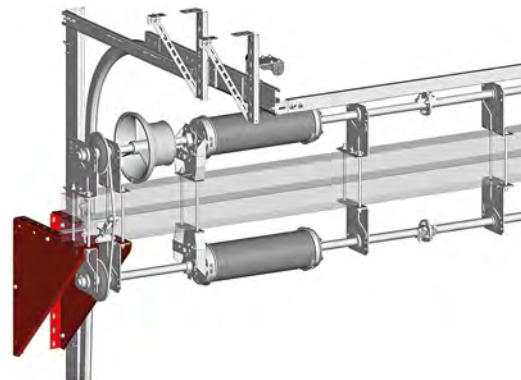


BRACKETS AND CONNECTING PLATES

BRACKET AND PLATE INSTALLATION



Single-shaft balancing system



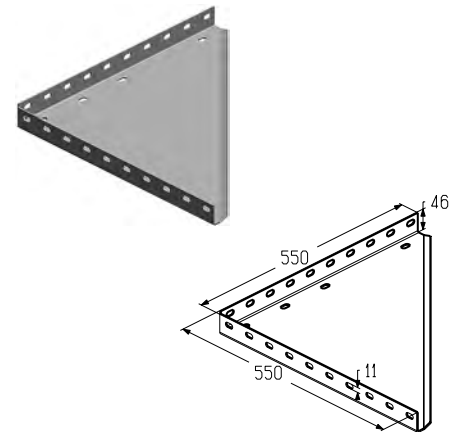
Double-shaft balancing system

Bracket

Designed for support profile installation.

Used in industrial doors of high, vertical, inclined high mounting types with bottom shaft positioning and single-shaft and double-shaft balancing systems.

Material galvanized steel
 Weight, kg/pcs. 4.818
 Measure unit pcs.
 Supply rate, pcs. 4



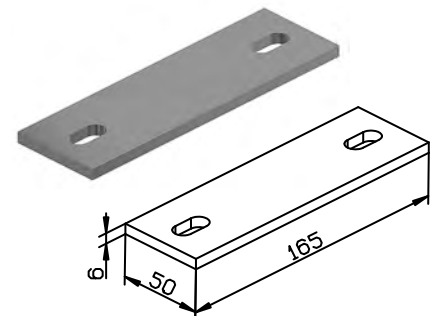
Article	Code
TP-550	402620000

Plate

Designed for fixing the torsion shaft elements.

Used in industrial doors of high, vertical and inclined high mounting types with bottom shaft positioning and single-shaft balancing system.

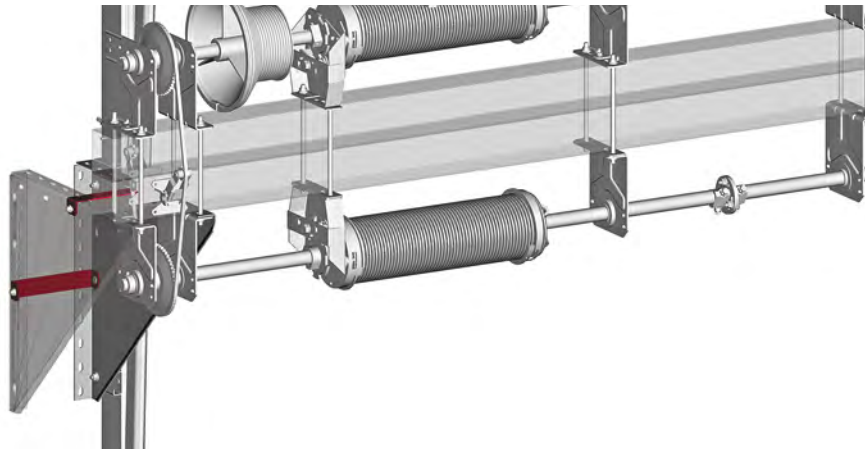
Material galvanized steel
 Weight, kg/pcs. 0.355
 Measure unit pcs.
 Supply rate, pcs. 50



Article	Code
MS-550N	405000042

BRACKETS AND CONNECTING PLATES

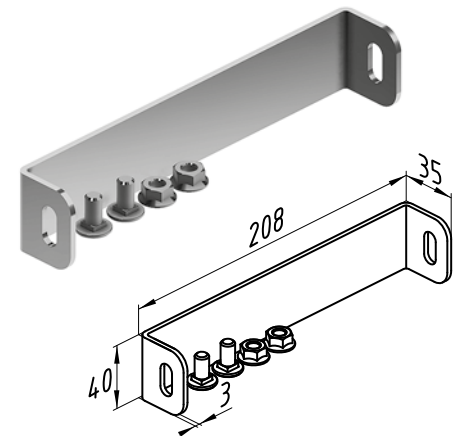
BRACKET INSTALLATION



Bracket

Designed for fixing the brackets (TP-550) together.
Used in industrial doors of high, vertical, inclined high mounting types with bottom shaft positioning and double-shaft balancing system.

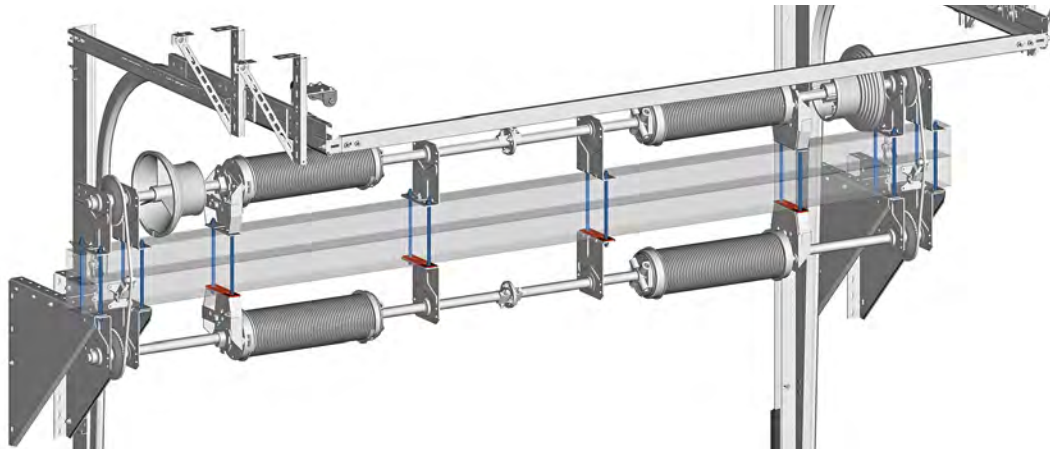
Material galvanized steel
Weight, kg/pcs. 0.28
Measure unit pcs.
Supply rate, pcs. 72



Article	Code
TSS4012	403901900

BRACKETS AND CONNECTING PLATES

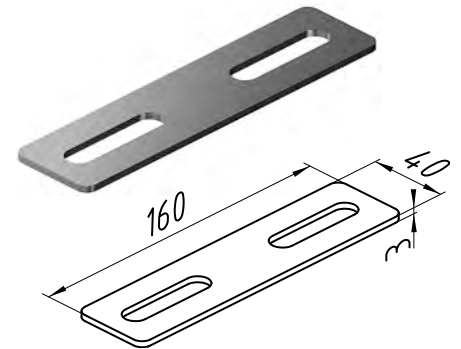
INSTALLATION OF PLATE AND SET OF FIXING ELEMENTS



Plate

Designed for fixing the torsion shaft elements.
Used in industrial doors of high, vertical and inclined high mounting types with bottom shaft positioning and double-shaft balancing system.

Material galvanized steel
Weight, kg/pcs. 0.125
Measure unit pcs.
Supply rate, pcs. 150

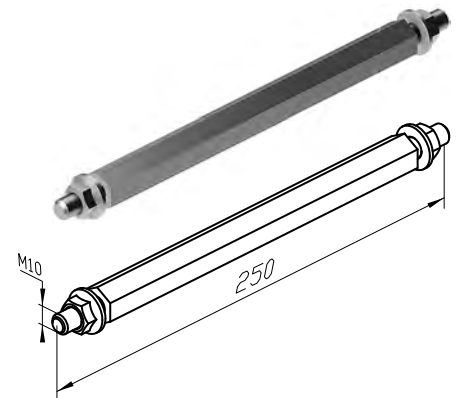


Article	Code
TSS4014	403902200

Set of fixing elements

Designed for fixing the torsion shaft elements.
Used in industrial doors of high, vertical and inclined high types of mounting with bottom shaft positioning and double-shaft balancing system.

Material galvanized steel
Weight, kg/pcs. 0.14
Measure unit pcs.
Supply rate, pcs. 150

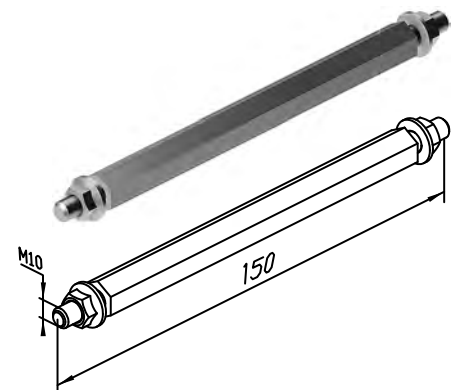


Article	Code
TSS4013	403902100

Set of fixing elements

Designed for fixing the torsion shaft elements.
Used in industrial doors of high, vertical and inclined high mounting types with bottom shaft positioning and single-shaft balancing system.

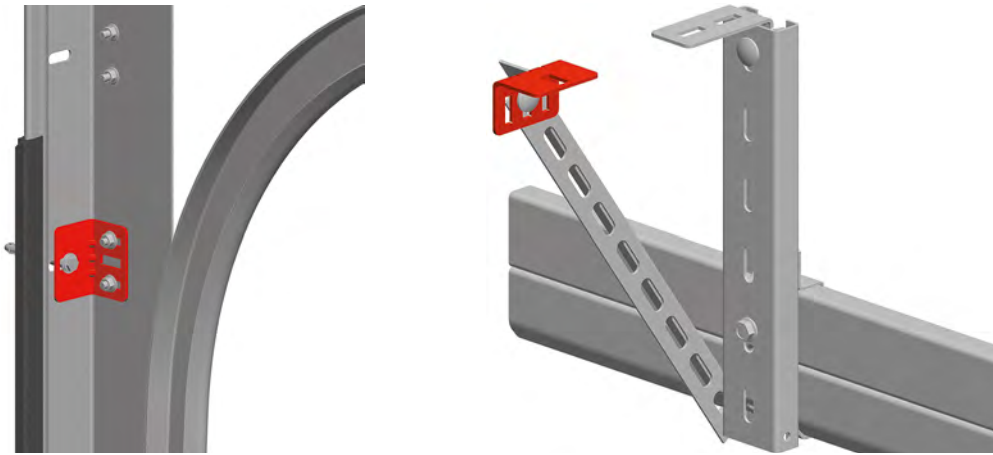
Material galvanized steel
Weight, kg/pcs. 0.232
Measure unit pcs.
Supply rate, pcs. 1



Article	Code
OSS4013	419410103

BRACKETS AND CONNECTING PLATES

BRACKET INSTALLATION



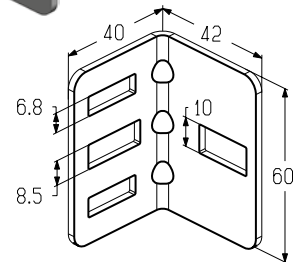
Bracket

Designed for:

- fixing the angle profile to the wall;
- fixing mounting profile (PRG09) and C-profile (PRG06) to the ceiling.

Used in garage doors with tension and torsion springs, and in industrial doors of all mounting types.

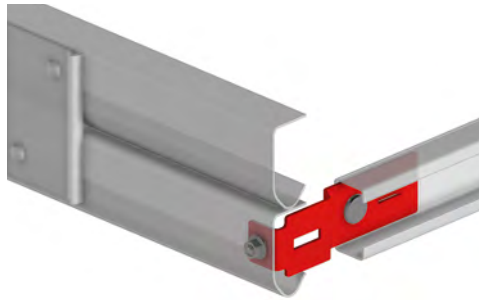
Material galvanized steel
 Weight, kg/pcs. 0.076
 Measure unit pcs.
 Supply rate, pcs. 280



Article	Code
B0300	402600400

BRACKETS AND CONNECTING PLATES

BRACKET INSTALLATION



B-3501



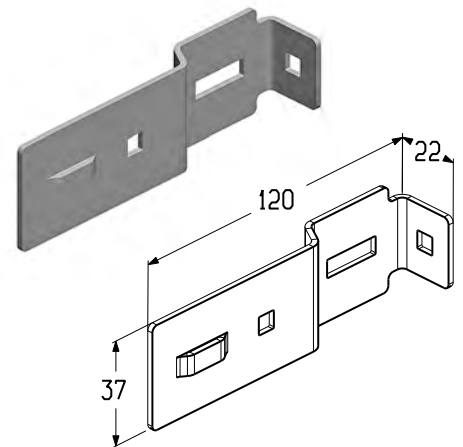
B802

Spacer bar bracket

Designed for connecting track profile (PRG-32) with C-profile (PRG-33).
Used in garage doors with tension springs and garage doors of all mounting types with torsion springs.

Material galvanized steel
Weight, kg/pcs. 0.073
Measure unit pcs.
Supply rate, pcs. 200

Article	Code
B-3501	402600700

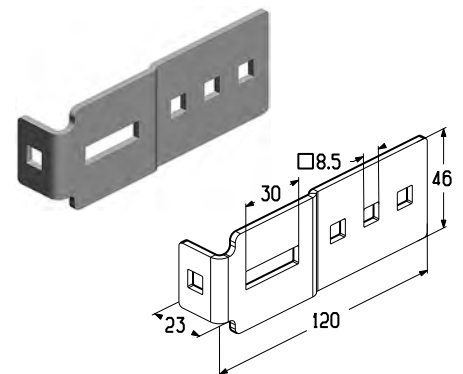


Spacer bar bracket

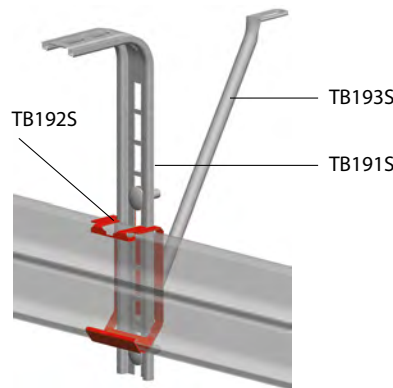
Designed for connecting horizontal track profile with C-profile (PRG07, PRG07N).
Used in industrial doors of all mounting types.

Material galvanized steel
Weight, kg/pcs. 0.102
Measure unit pcs.
Supply rate, pcs. 220

Article	Code
B802	402620100



TELESCOPIC HANGER SYSTEM



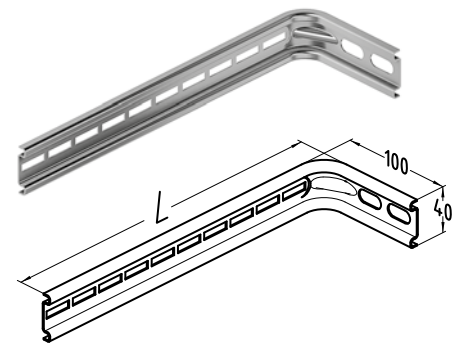
Standard mounting type

Hanger

Designed for assembling the telescopic hanger system.
Used in garage doors with tension springs and in garage doors of standard and low mounting types with torsion springs.

Material galvanized steel
Measure unit pcs.

Article	Code	Length, mm	Weight, kg/pcs.	Supply rate, pcs
TB191S-300	402811500	300	0.192	300
TB191S-500	402811600	500	0.282	200
TB191S-800	402811700	800	0.413	120
TB191S-1000	402811800	1000	0.514	100

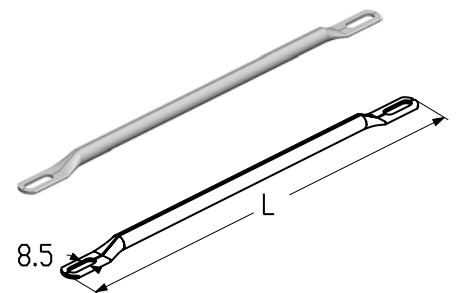


Diagonal brace

Designed for assembling the telescopic hanger system.
Used in garage doors with tension springs and in garage doors of standard and low mounting types with torsion springs.

Material galvanized steel
Measure unit pcs.
Supply rate, pcs 400

Article	Code	Length, mm	Weight, kg/pcs.
TB193S-330	402910600	330	0.082
TB193S-680	402910700	680	0.190
TB193S-910	402910800	910	0.261

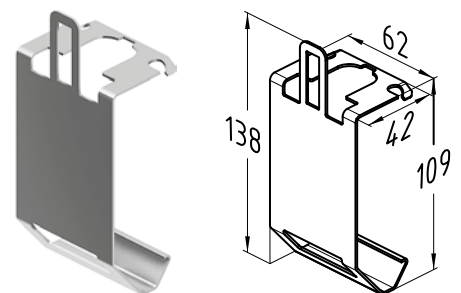


Bracket

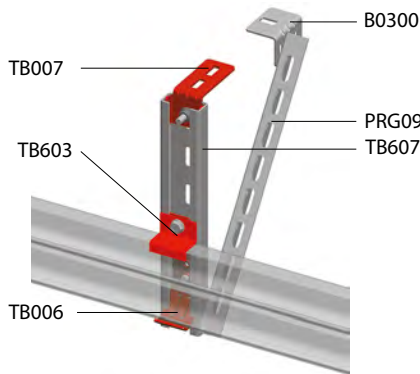
Designed for assembling the telescopic hanger system.
Used in garage doors with tension springs and in garage doors of standard mounting type with torsion springs.

Material galvanized steel
Weight, kg/pcs. 0.082
Measure unit pcs.
Supply rate, pcs 400

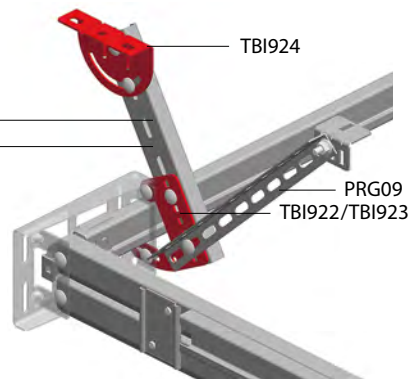
Article	Code
TB192S	402610700



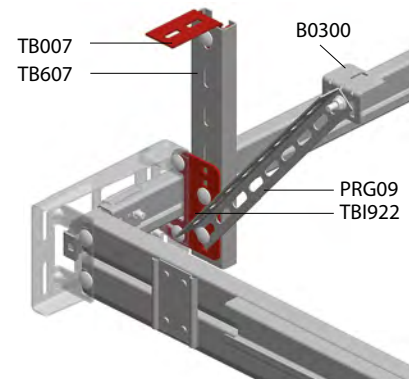
BRACKETS AND CONNECTING PLATES



Horizontal track hanger



**Spacer bar hanger
for inclined low mounting type**



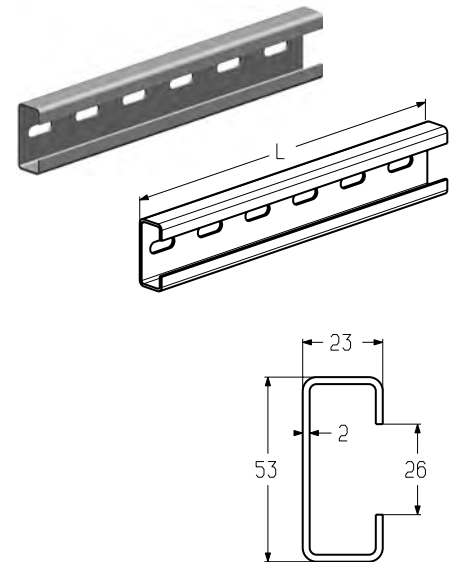
**Spacer bar hanger
for low mounting type**

Hanger bracket

Designed for assembling the telescopic hanger system.
Used in industrial doors of all mounting types.

Material galvanized steel
Measure unit pcs.
Supply rate, pcs. 100

Article	Code	Length (L), mm	Weight, kg/pcs.
TB607-300	402610000	300	0.48
TB607-500	402610100	500	0.80
TB607-800	402610200	800	1.28
TB607-1000	402610300	1000	1.60
TB607-1500	402610400	1500	2.40

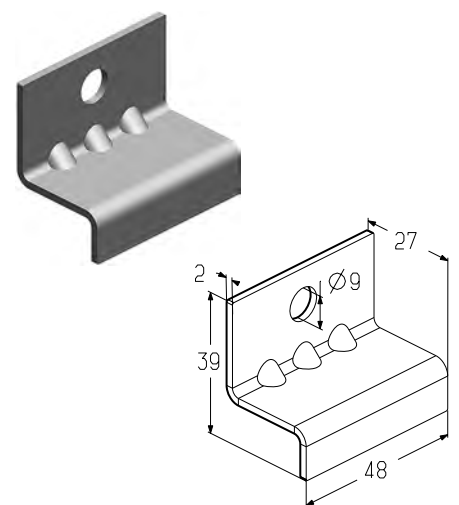


Mounting bracket

Designed for hanging the horizontal track profiles. Installed together with the bracket (TB006). Used in industrial doors of low and inclined low mounting types.

Material galvanized steel
Weight, kg/pcs. 0.038
Measure unit pcs.
Supply rate, pcs. 500

Article	Code
TB603	402620200



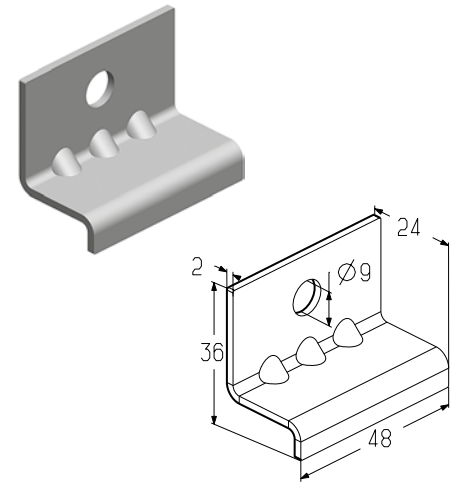
TELESCOPIC HANGER SYSTEM

Mounting bracket

Designed for hanging the horizontal track profiles.
Installed with the bracket (TB006) in:

- garage doors of high mounting type;
- industrial doors of all mounting types, except for low and inclined low types of mounting.

Material galvanized steel
Weight, kg/pcs. 0.038
Measure unit pcs.
Supply rate, pcs. 500

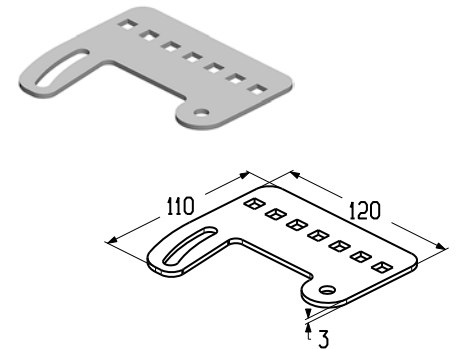


Article	Code
TB604	402620300

Plate

Designed for hanging the spacer bar. Installed together with the bracket (TB607). Used in industrial doors of low and inclined low mounting types with the horizontal track inclination up to 20°.

Material galvanized steel
Weight, kg/pcs. 0.18
Measure unit pcs.
Supply rate, pcs. 140

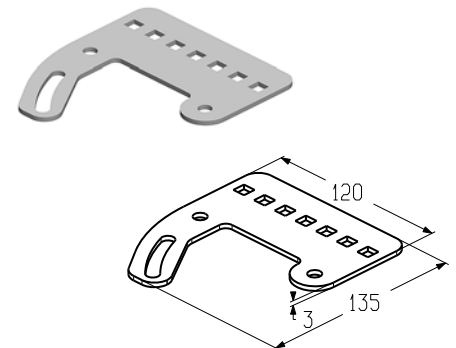


Article	Code
TBI922	403490300

Plate

Designed for hanging the spacer bar. Installed together with the bracket (TB607). Used in industrial doors of inclined low mounting types with the horizontal track inclination from 25 to 45°.

Material galvanized steel
Weight, kg/pcs. 0.20
Measure unit pcs.
Supply rate, pcs. 45



Article	Code
TBI923	403490400

BRACKETS AND CONNECTING PLATES

Bracket

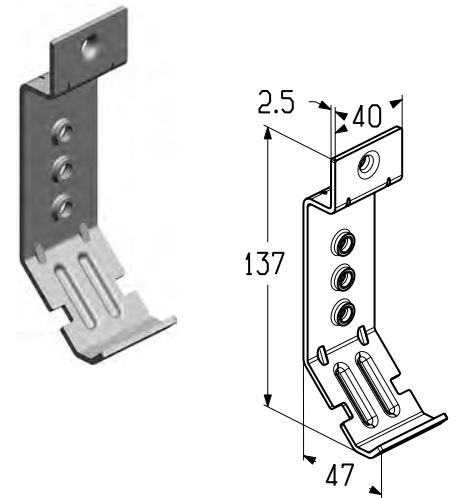
Designed for hanging the horizontal track profiles. Installed with the mounting bracket (TB603) in industrial doors of low and inclined low mounting types. Used for hanging the spacer bar in industrial doors of low mounting type.

Installed with the bracket (TB604) in:

- garage doors of high mounting type;
- industrial doors of all mounting types except for low and inclined low.

Material galvanized steel
 Weight, kg/pcs. 0.112
 Measure unit pcs.
 Supply rate, pcs..... 300

Article	Code
TB006	402610500



Angle bracket

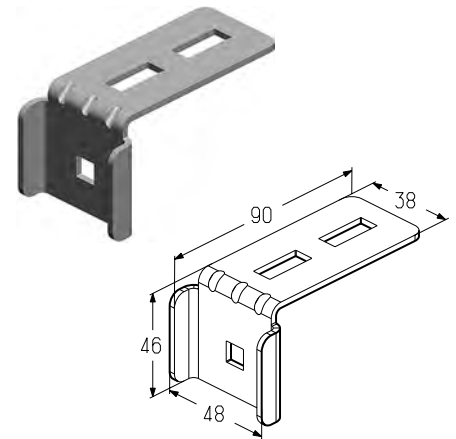
Designed for fixing the hanger bracket (TB607) to the ceiling.

Used for hanging the horizontal track profiles in:

- garage doors of high mounting type;
- industrial doors of all mounting types.

Material galvanized steel
 Weight, kg/pcs. 0.115
 Measure unit pcs.
 Supply rate, pcs..... 200

Article	Code
TB007	402630000



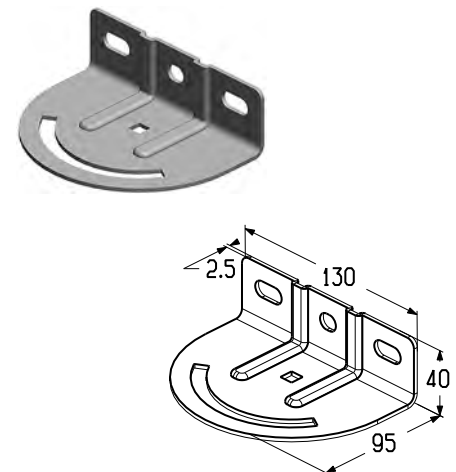
Bracket

Designed for fixing the hanger bracket (TB607) to the ceiling.

Used for hanging the spacer bar in industrial doors of inclined low mounting type.

Material galvanized steel
 Weight, kg/pcs. 0.28
 Measure unit pcs.
 Supply rate, pcs..... 45

Article	Code
TBI924	403490500



TELESCOPIC HANGER SYSTEM

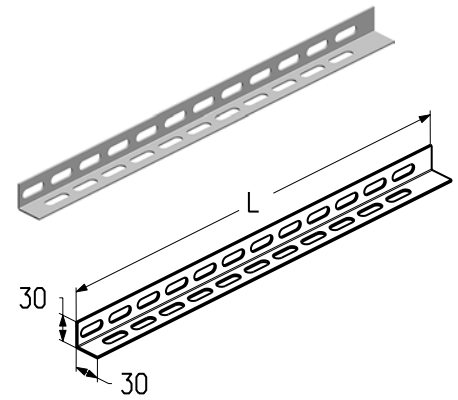
Perforated mounting profile

Designed for reinforcing the telescopic hanger. Installed with the hanger bracket (TB607-300, TB607-500, TB607-800), TB607-1000.

Used in:

- garage doors of high mounting type;
- industrial doors of all mounting types.

Material galvanized steel
 Weight, kg/m 0.614
 Measure unit m



Article	Code	Length (L), mm	Supply rate, m	Supply rate, pcs
PRG09	402410400	1160	92.8	80
		1480	118.4	80
		1800	144.0	80
		3000	240.0	80

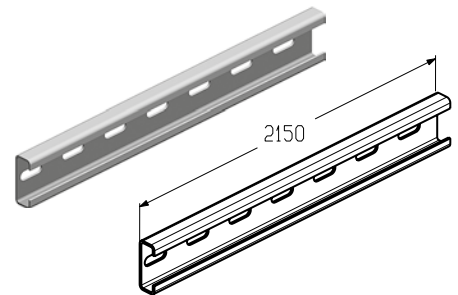
C-profile

Perforated, designed for reinforcing the telescopic hanger. Installed with the hanger bracket (TB607-1500).

Used in:

- garage doors of high mounting type;
- industrial doors of all mounting types.

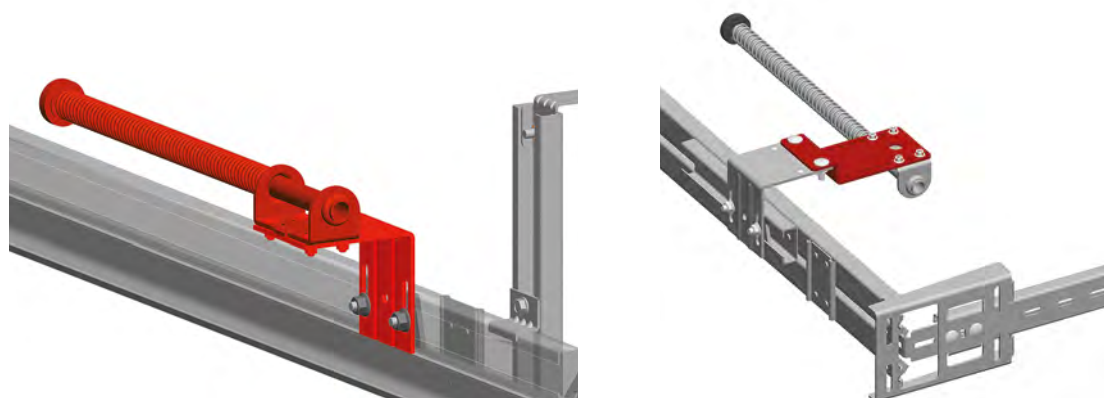
Length, mm 2150
 Material galvanized steel
 Weight, kg/m 1.38
 Measure unit m
 Supply rate, m 107.5



Article	Code
PRG06	402421700

DOOR LEAF MOVEMENT STOPPERS

DAMPER INSTALLATION



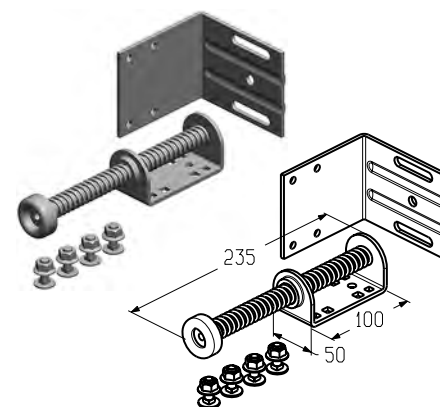
Damper

Designed for stopping the door leaf movement of industrial doors.

Used in industrial doors:

- of standard, low and inclined low mounting types without electric drive (chain hoist);
- of inclined low mounting type with shaft electric drive (chain hoist);
- of high, vertical, inclined high mounting types with top or bottom shaft positioning; inclined mounting type (for all types of door control).

Length, mm	235
Material	galvanized steel
Weight, kg/pcs.	1.15
Measure unit	pcs.
Supply rate, pcs.....	60



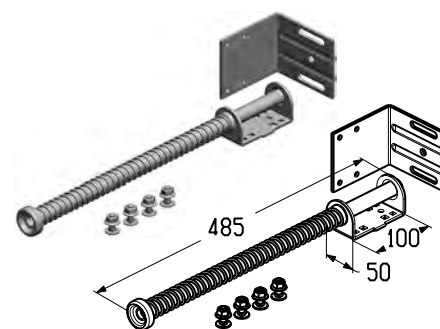
Article	Code
SB-235	402910000

Damper

Designed for stopping the door leaf movement of industrial doors.

Used in industrial doors of standard and low mounting types with electric drive and chain hoist.

Length, mm	485
Material	galvanized steel
Weight, kg/pcs.	1.5
Measure unit	pcs.
Supply rate, pcs.....	30



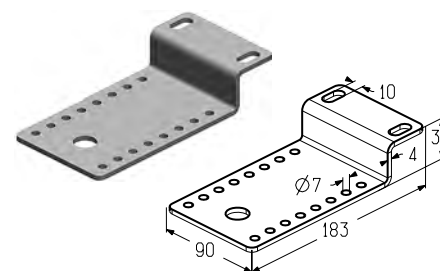
Article	Code
SB-485	402910100

Damper bracket

Designed for spring damper (SB-235, SB-485) installation.

Used in industrial doors of low and inclined low mounting types.

Material	galvanized steel
Weight, kg/pcs.	0.554
Measure unit	pcs.
Supply rate, pcs.....	40



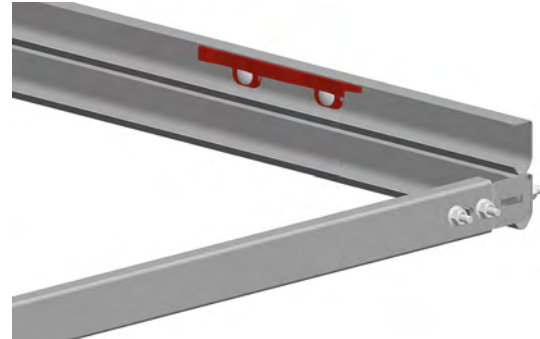
Article	Code
BSB0302	402600500

DOOR LEAF MOVEMENT STOPPERS

RUBBER STOPPER AND FIXING DEVICE INSTALLATION



Rubber stopper installation



Fixing device installation

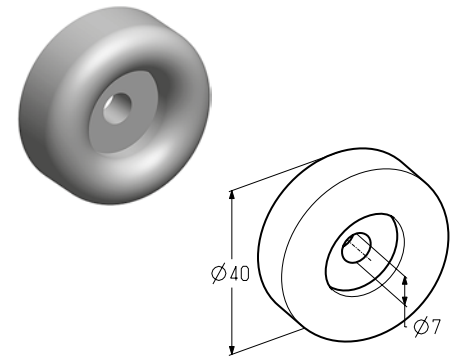
Rubber stopper

Designed for stopping the door leaf movement of garage and industrial doors.

Used in:

- garage doors with tension springs and automatic control;
- garage doors of low and standard mounting types with automatic control;
- garage doors of high mounting type with automatic and manual control;
- industrial doors of low and inclined low mounting types with manual control or rail electric drive.

Material	TPE
Weight, kg/pcs.	0.03
Measure unit	pcs.
Supply rate, pcs.	200



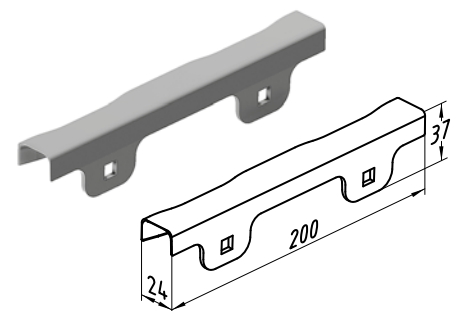
Article	Code
RS0301	402910200

Fixing device

Designed for stopping the door leaf movement in garage doors.

Used in garage doors with tension springs and in garage doors of low and standard mounting types with torsion springs and manual control.

Material	PA
Weight, kg/pcs.	0.154
Measure unit	pcs.
Supply rate, pcs.	128



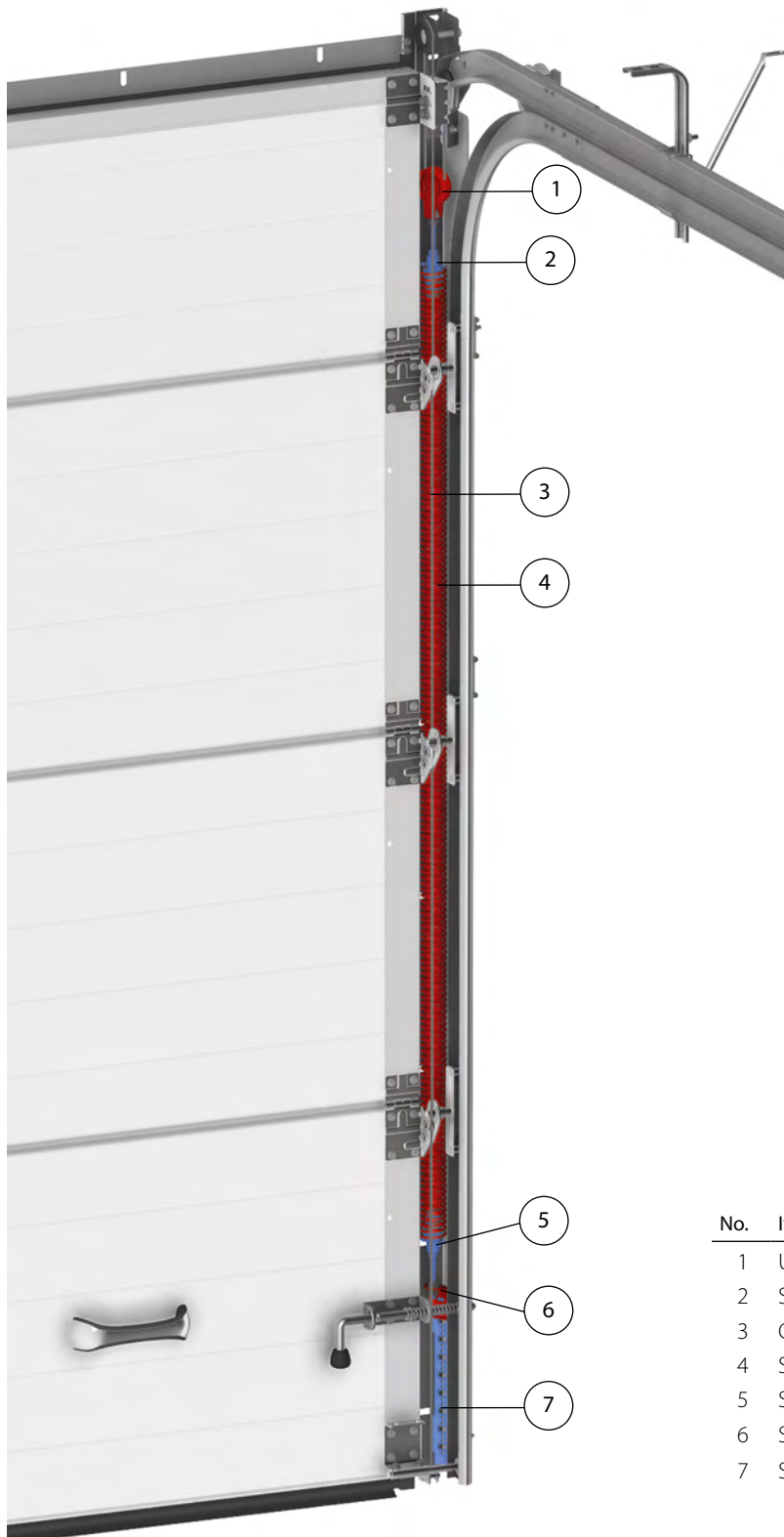
Article	Code
LH3004	402910900

1.5

Balancing system

PRESTIGE SERIES GARAGE DOORS

TENSION SPRINGS



No.	Item
1	Upper set (US230S)
2	Spring holder (SH220S)
3	Cable
4	Spring
5	Spring holder (SH220S)
6	Spring bracket (SB212S)
7	Spring plate (SP203S)

1.1

1.2

1.3

1.4

1.5

2

3

4

UPPER SET AND SPRING PLATE INSTALLATION



Upper set



Spring plate

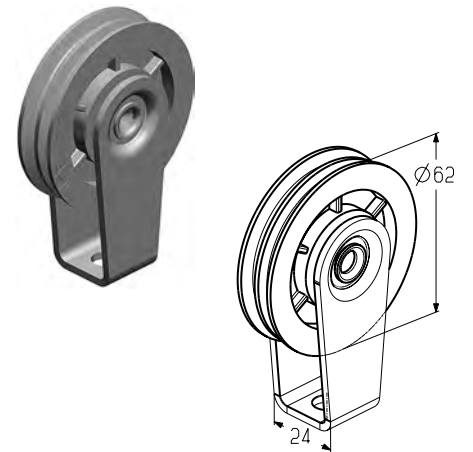
Upper set

Designed for:

- cable installation;
- spring holder (SH2205) installation.

Used in garage doors with tension springs.

Material galvanized steel
 Weight, kg/pcs. 0.135
 Measure unit pcs.
 Supply rate, pcs. 100



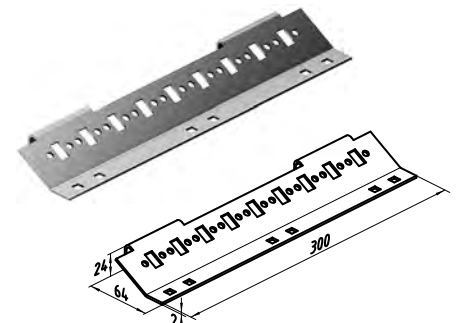
Article	Code
US230S	402300400

Spring plate

Designed for tension springs adjustment together with spring bracket (SB212S).

Used in garage doors with tension springs.

Material galvanized steel
 Weight, kg/pcs. 0.29
 Measure unit pcs.
 Supply rate, pcs. 50

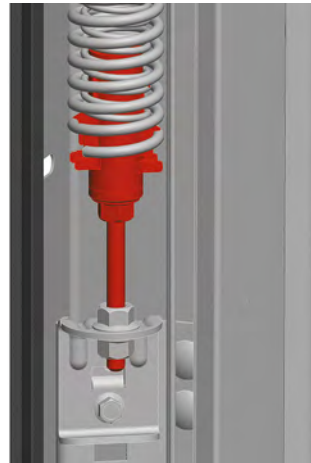


Article	Code
SP203S	402911000

SPRING HOLDER AND BRACKET INSTALLATION



Spring holder SH221S



Spring bracket SB212S

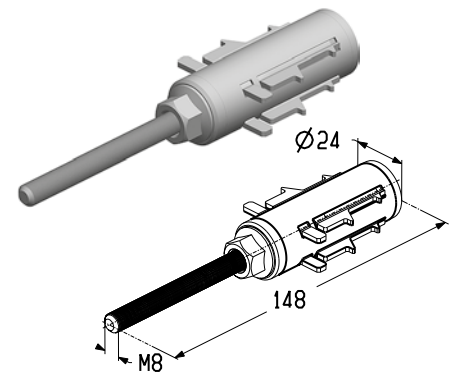


Spring holder

Designed for fixing the springs.
Used in garage doors with tension springs.

Material galvanized steel
Weight, kg/pcs. 0.210
Measure unit pcs.
Supply rate, pcs. 80

Article	Code
SH221S	402911100

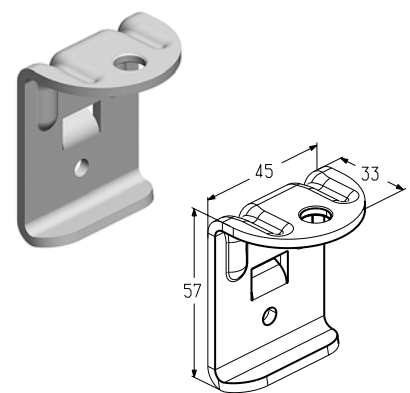


Spring bracket

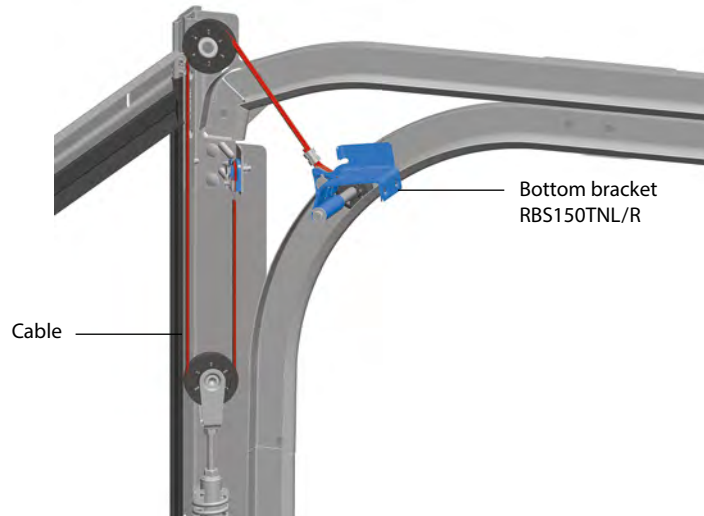
Designed for spring tension adjustment together with the spring plate (SP202S).
Used in garage doors with tension springs.

Material galvanized steel
Weight, kg/pcs. 0.930
Measure unit pcs.
Supply rate, pcs. 200

Article	Code
SB212S	402600600



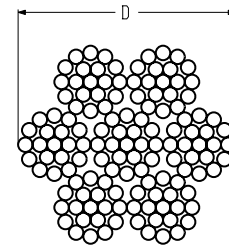
CABLE INSTALLATION



Cable

Designed for lifting the door leaf.

Diameter, mm	3
Material	galvanized steel
Weight, kg/m	0.032
Measure unit	m
Supply rate, m	250

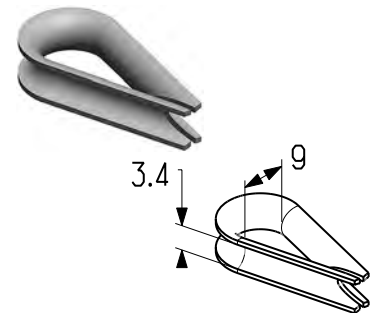


Article	Code
CR-3-250	403930000

Cable thimble

Designed for crimping the cable.

Material	galvanized steel
Weight, kg/pcs.	0.002
Measure unit	pcs.
Supply rate, pcs.	1000

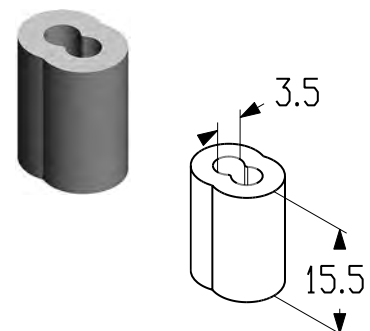


Article	Code
CRT-3	403950000

Cable sleeve

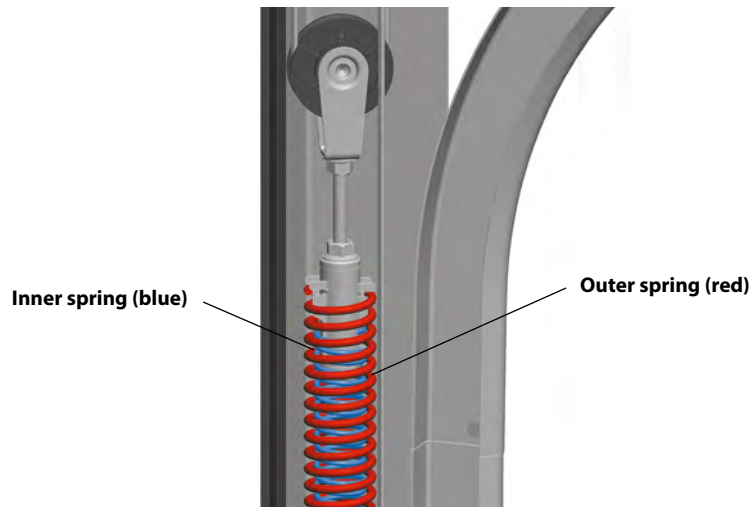
Designed for crimping the cable.

Material	aluminium
Weight, kg/pcs.	0.003
Measure unit	pcs.
Supply rate, pcs.	1000



Article	Code
CRS2-3	403940000

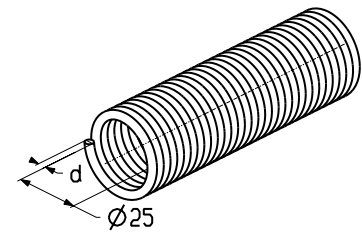
CABLE INSTALLATION



Inner spring

Designed for balancing the door leaf of garage doors with tension springs.

Inside diameter, mm 25
 Material galvanized steel
 Measure unit m

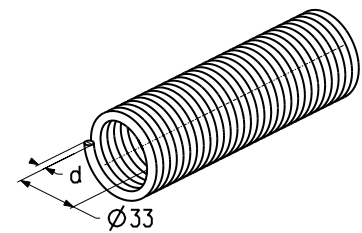


Article	Code	d, mm	Weight, kg/m	Spring end colour*	Supply rate, pcs	Supply rate, m
TN32x25YLx1120R	403322000	3.2	1.70	RAL 1026	10	11.20
TN32x25YLx1250R	403322600	3.2	1.74	RAL 1026		12.50
TN28x25BRx1250R	411800303	2.8	1.51	RAL 8003		12.50
TN34x25RDx1550R	411800304	3.4	1.87	RAL 3000		15.50
TN30x25WHx1500R	403322500	3.0	1.62	RAL 9003		15.00
TN26x25VTx2500R	411800302	2.6	1.39	RAL 4006		13.75

Outer spring

Designed for balancing the door leaf of garage doors with tension springs.

Inside diameter, mm 33
 Material galvanized steel
 Measure unit m



Article	Code	d, mm	Weight, kg/m	Spring end colour*	Supply rate, pcs	Supply rate, m
TN36x33ORx850R	403331400	3.6	2.50	RAL 2000	10	8.50
TN38x33PNx900R	411800305	3.8	2.71	RAL 3014		9.00
TN32x33GRx1050R	403331700	3.2	2.22	RAL 7000		10.50
TN34x33BLx1100R	403332900	3.4	2.63	RAL 5005		11.00
TN36x33ORx1100R	403332200	3.6	2.54	RAL 2000		11.00
TN42x33BKx1170R	411800306	4.2	3.03	RAL 9005		11.70
TN40x33GNx1250R	403333200	4.0	2.80	RAL 6018		12.50
TN42x33BKx1350R	403333100	4.2	3.61	RAL 9005		13.50
TN45x33VTx1510R	403332300	4.5	3.23	RAL 4006		15.10
TN30x33WHx2000R	403332600	3.0	2.08	RAL 9003		20.00
TN26x33RDx2000R	403332400	2.6	1.78	RAL 3000		20.00
TN28x33BRx2000R	403332500	2.8	1.93	RAL 8003		20.00

* Colours closely correspond to the RAL scale.

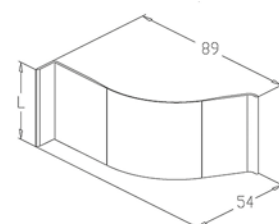
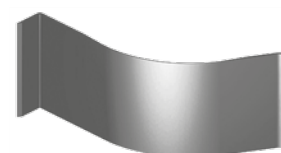
PROTECTIVE COVER INSTALLATION



Protective cover

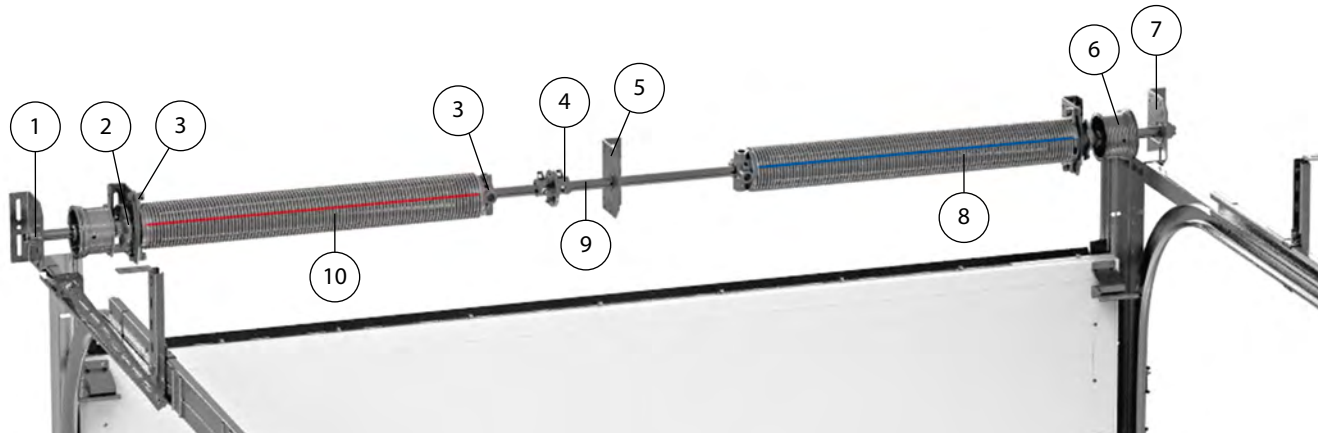
Designed for protection against finger trapping. Installed together with the spring mechanism.
Used in garage doors with tension springs.

Material	RPVC
Length, m	2.5
Weight, kg/m	0.142
Measure unit	m
Supply rate, m	25



Article	Code
PC-4016	402911800

STANDARD DESIGN OF TORSION SHAFT ASSEMBLY

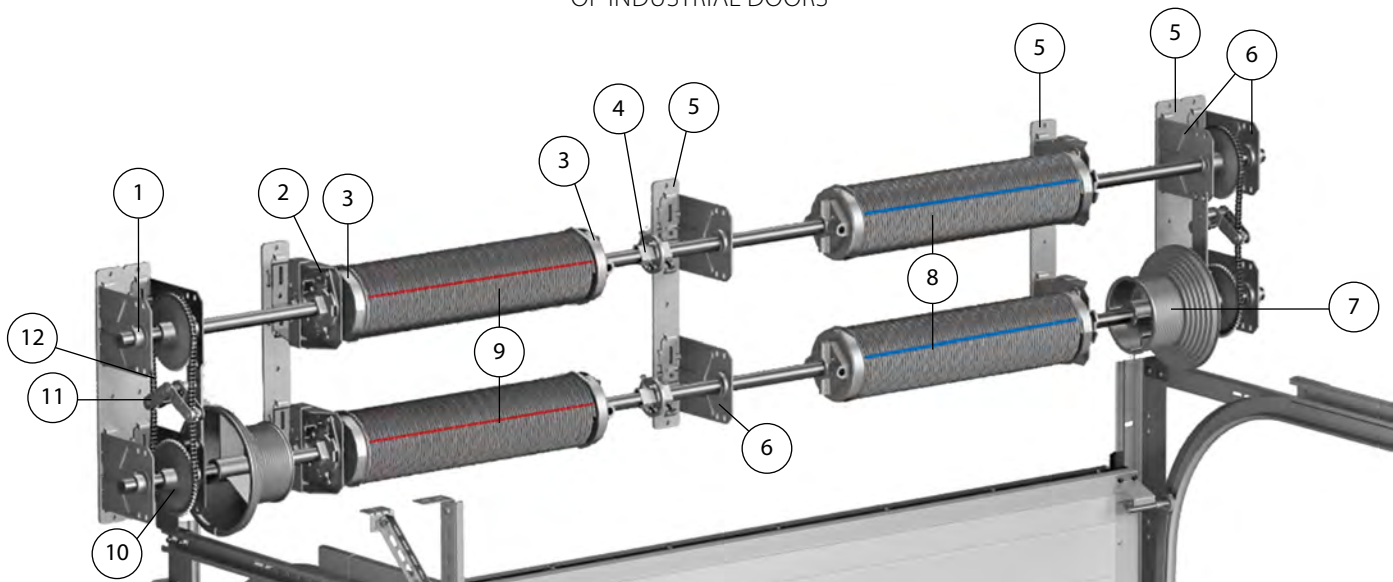
SINGLE-SHAFT LEAF BALANCING SYSTEM
OF GARAGE AND INDUSTRIAL DOORS

No. Item

- | | |
|---|----------------------|
| 1 | Stop ring |
| 2 | Spring break device |
| 3 | Spring caps |
| 4 | Connecting coupler |
| 5 | Intermediate bracket |

No. Item

- | | |
|----|---------------------------|
| 6 | Cable drum |
| 7 | Side bracket |
| 8 | Spring with right winding |
| 9 | Torsion shaft |
| 10 | Spring with left winding |

DOUBLE-SHAFT LEAF BALANCING SYSTEM
OF INDUSTRIAL DOORS

No. Item

- | | |
|---|----------------------|
| 1 | Stop ring |
| 2 | Spring break device |
| 3 | Spring caps |
| 4 | Connecting coupler |
| 5 | Mounting plate |
| 6 | Intermediate bracket |

No. Item

- | | |
|----|---------------------------|
| 7 | Cable drum |
| 8 | Spring with right winding |
| 9 | Spring with left winding |
| 10 | Sprocket |
| 11 | Chain tensioner |
| 12 | Chain |

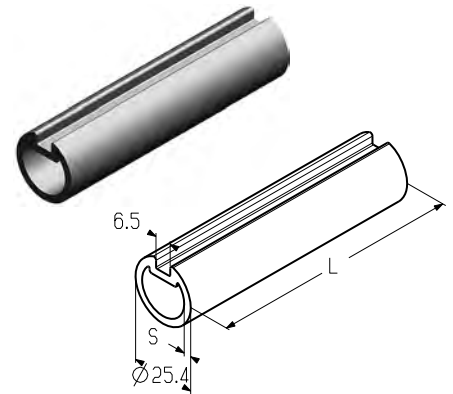
TORSION SHAFT

Torsion shaft

Used if the door leaf weight is under 160 kg.
Used in garage and industrial doors of all mounting types with single-shaft balancing system.

Shaft diameter, mm 25.4
Material galvanized steel
Side thickness (S), mm 2
Measure unit m

Article	Code	Length, mm	Weight, kg/m	Supply rate, m	Supply rate, pcs
TSH-2750-2	403220600	2750	1.7	137.5	50
TSH-3000-2	403220900	3000	1.2	150.0	50
TSH-4500-2	403221000	4500	1.2	225.0	50
TSH-5500-2	403221100	5500	1.2	275.0	50
TSH-6000-2	403220700	6000	1.2	300.0	50

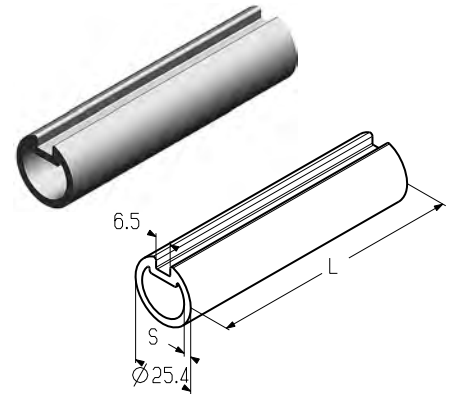


Torsion shaft

Used if the door leaf weight is from 160 to 230 kg.
Used in garage and industrial doors of all mounting types with torsion springs.

Shaft diameter, mm 25.4
Material galvanized steel
Weight, kg/m 3
Side thickness (S), mm 3
Measure unit m

Article	Code	Length, mm	Supply rate, m	Supply rate, pcs
TSH-4500	403220100	4500	225.0	50
TSH-5500	403220200	5500	275.0	

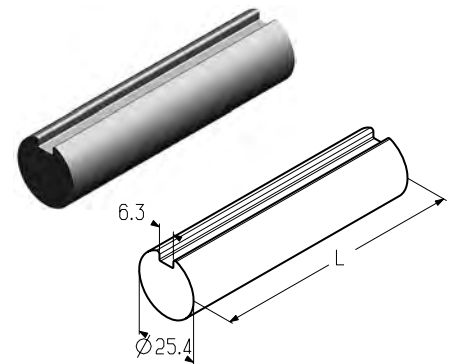


Torsion shaft

Used if the door leaf weight is from 200 to 350 kg, except for high, vertical, inclined high mounting type with bottom shaft positioning from 230 to 300 kg.
Used in garage and industrial doors of all mounting types with single-shaft balancing system.

Shaft diameter, mm 25.4
Material galvanized steel
Weight, kg/m 3.80
Measure unit m

Article	Code	Length, mm	Supply rate, m	Supply rate, pcs
TSS-4500	403220500	4500	112.5	25
TSS-5000	403220300	5000	125.0	25

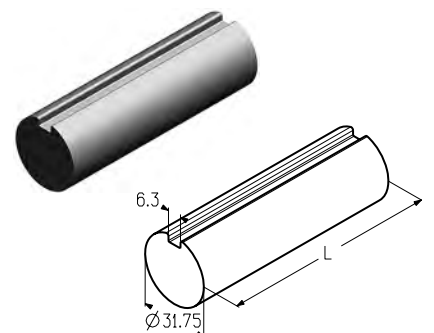


Torsion shaft

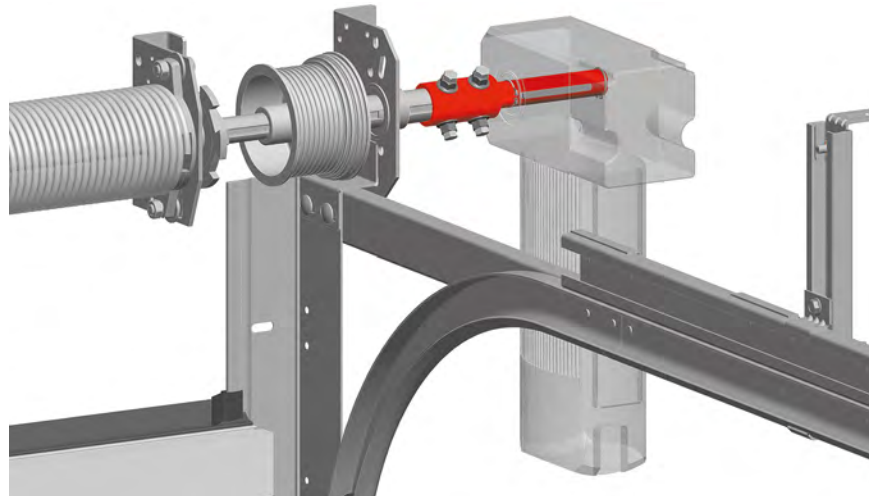
Used if the door leaf weight is over 350 kg, except for high, vertical, inclined high mounting type with bottom shaft positioning over 300 kg.
Used in industrial doors of all mounting types with single and double-shaft balancing systems.

Shaft diameter, mm 31.75
Material galvanized steel
Weight, kg/m 6.02
Measure unit m

Article	Code	Length, mm	Supply rate, m	Supply rate, pcs
TSS-5/4-3800	403230400	3800	95.0	25
TSS-5/4-5800	403230100	5800	145.0	25
TSS-5/4-6000	403230200	6000	150.0	25



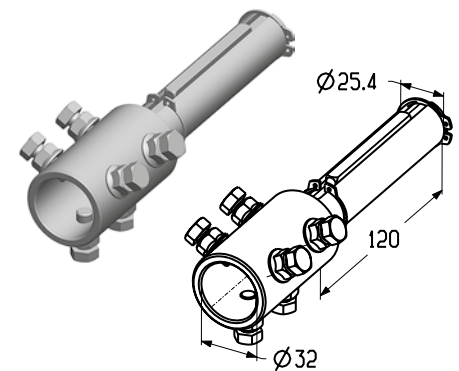
SHAFT ADAPTER INSTALLATION

**Shaft adapter**

Designed for installation of the electric drives and chain hoist on the shaft with 31.75 mm diameter.
Used in industrial doors of all mounting types with single and double-shaft balancing systems.

Material galvanized steel
Weight, kg/pcs. 0.944
Measure unit pcs.
Supply rate, pcs. 10

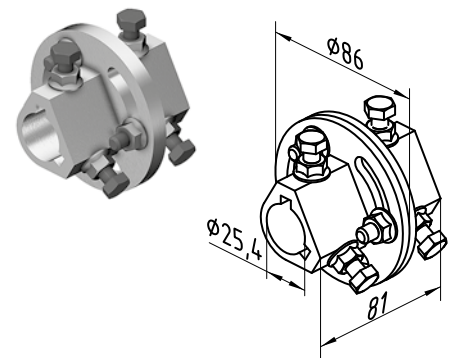
Article	Code
SA-5/4	403720000

**Connecting coupler AC-1**

Designed for assembling the torsion shaft in single-shaft balancing system.
Used in garage doors with torsion springs and industrial doors of all mounting types.

Material galvanized steel
Measure unit pcs.

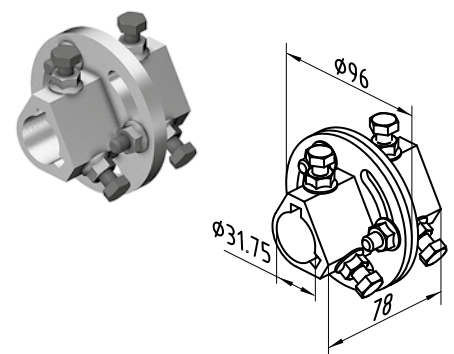
Article	Code	Shaft diameter, mm	Weight, kg/pcs.	Supply rate, pcs
AC-1	403710000	25.4	0.73	100

**Connecting coupler AC-5/4**

Designed for assembling the torsion shaft in single and double-shaft balancing systems.
Used in industrial doors of all mounting types.

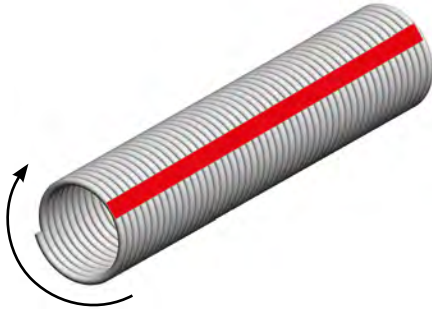
Material galvanized steel
Measure unit pcs.

Article	Code	Shaft diameter, mm	Weight, kg/pcs.	Supply rate, pcs
AC-5/4	403710100	31.75	0.70	14

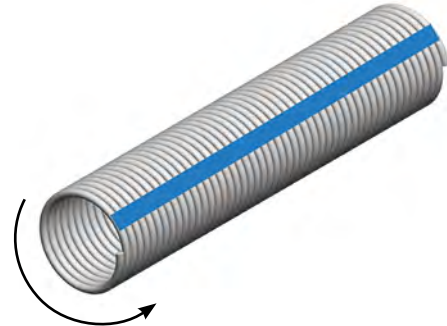


SPRINGS AND SPRING CAPS

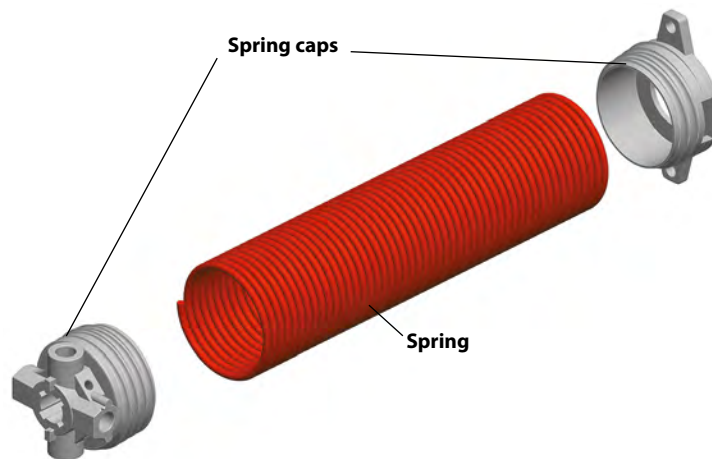
SPRING WITH LEFT WINDING—L
(marked in red)



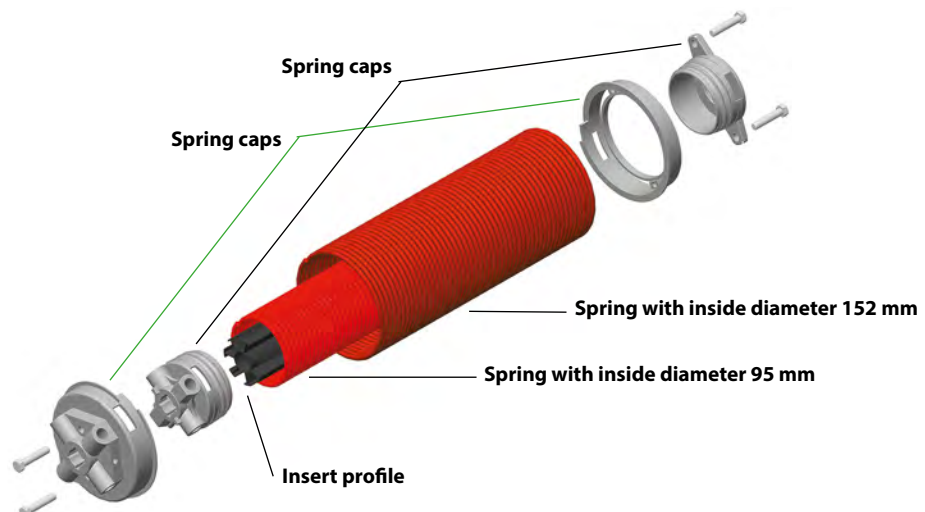
SPRING WITH RIGHT WINDING—R
(marked in any other colour)



DESIGN OF A SPRING WITH SPRING CAPS



DUPLEX SPRING DESIGN

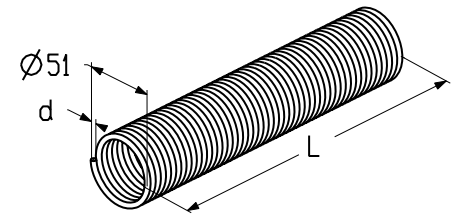


SPRINGS AND SPRING CAPS

Torsion spring

Used in garage and industrial doors of all mounting types with single-shaft balancing system.

Inside diameter, mm	51
Shaft diameter, mm	25.4
Material	steel wire
Coating	polymeric
Colour	RAL 9006
Measure unit	m



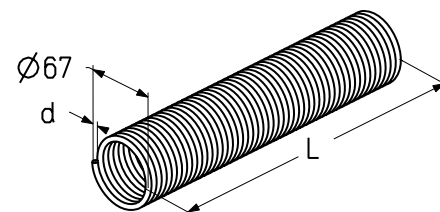
Article	Code	d, mm	Length, mm	Weight, kg/m	Supply rate, m	Supply rate, pcs
TSA42.5×51×1000R	403803100	4.25	1000	5.00	4.50	5
TSA42.5×51×1000L	403803200	4.25	1000	5.00	4.50	5
TSA45×51×1100R	403380200	4.50	1100	4.80	5.50	5
TSA45×51×1100L	403380300	4.50	1100	4.80	5.50	5
TSA47.5×51×1250R	403380400	4.75	1250	5.00	6.25	5
TSA47.5×51×1250L	403380500	4.75	1250	5.00	6.25	5
TSA50×51×1350R	403800100	5.00	1350	5.40	6.75	5
TSA50×51×1350L	403800200	5.00	1350	5.40	6.75	5
TSA52.5×51×1300R	403803300	5.25	1300	5.70	6.50	5
TSA52.5×51×1300L	403803400	5.25	1300	5.70	6.50	5
TSA55×51×1400R	403800700	5.50	1400	6.00	7.00	5
TSA55×51×1400L	403800800	5.50	1400	6.00	7.00	5
TSA57.5×51×1600R	403800900	5.75	1600	6.35	8.00	5
TSA57.5×51×1600L	403801000	5.75	1600	6.35	8.00	5
TSA60×51×1700R	403801100	6.00	1700	6.62	8.50	5
TSA60×51×1700L	403801200	6.00	1700	6.62	8.50	5
TSA62.5×51×1800R	403801300	6.25	1800	6.80	9.00	5
TSA62.5×51×1800L	403801400	6.25	1800	6.80	9.00	5
TSA65×51×1900R	403801500	6.50	1900	7.24	9.50	5
TSA65×51×1900L	403801600	6.50	1900	7.24	9.50	5
TSA70×51×1400R	403382000	7.00	1400	7.70	7.00	5
TSA70×51×1400L	403382100	7.00	1400	7.70	7.00	5
TSA70×51×2000R	403384800	7.00	2000	7.70	10.00	5
TSA70×51×2000L	403384900	7.00	2000	7.70	10.00	5

SPRINGS AND SPRING CAPS

Torsion spring

Used in garage and industrial doors of all mounting types with single-shaft leaf balancing system.

Inside diameter, mm	67
Shaft diameter, mm	25.4
Material	steel wire
Coating	polymeric
Colour	RAL 9006
Measure unit	m



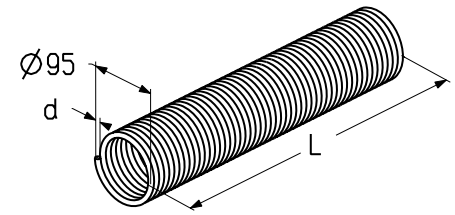
Article	Code	d, mm	Length, mm	Weight, kg/m	Supply rate, m	Supply rate, pcs
TSA55×67×1200R	403383700	5.50	1200	7.72	6.00	5
TSA55×67×1200L	403382400	5.50	1200	7.72	6.00	5
TSA57.5×67×1400R	403382500	5.75	1400	8.10	7.00	5
TSA57.5×67×1400L	403382600	5.75	1400	8.10	7.00	5
TSA60×67×1500R	403802700	6.00	1500	8.50	7.50	5
TSA60×67×1500L	403802800	6.00	1500	8.50	7.50	5
TSA62.5×67×1700R	403387200	6.25	1700	8.87	8.50	5
TSA62.5×67×1700L	403387300	6.25	1700	8.87	8.50	5
TSA65×67×1700R	403803500	6.50	1700	9.25	8.50	5
TSA65×67×1700L	403803600	6.50	1700	9.25	8.50	5
TSA70×67×1900R	403803700	7.00	1900	10.00	9.00	5
TSA70×67×1900L	403803800	7.00	1900	10.00	9.00	5
TSA75×67×2200R	403802500	7.50	2200	10.90	11.00	5
TSA75×67×2200L	403802600	7.50	2200	10.90	11.00	5

SPRINGS AND SPRING CAPS

Torsion spring

Used in:

- garage doors of high mounting type;
- industrial doors of all mounting types with single and double-shaft balancing systems.



Inside diameter, mm	95
Shaft diameter, mm	25.4/31.75
Material	steel wire
Coating	polymeric
Colour	RAL 9006
Measure unit	m

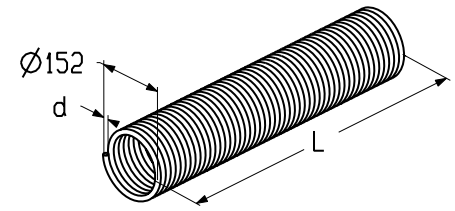
Article	Code	d, mm	Length, mm	Weight, kg/m	Supply rate, m	Supply rate, pcs
TSA65×95×1400L	403374300	6.5	1400	12.80	7.00	5
TSA65×95×1400R	403374400	6.5	1400	12.80	7.00	5
TSA70×95×1150L	403376500	7.0	1150	13.80	5.75	5
TSA70×95×1150R	403376400	7.0	1150	13.80	5.75	5
TSA70×95×1650L	403376700	7.0	1650	13.80	8.25	5
TSA70×95×1650R	403376600	7.0	1650	13.80	8.25	5
TSA75×95×1300L	403376900	7.5	1300	14.90	6.50	5
TSA75×95×1300R	403376800	7.5	1300	14.90	6.50	5
TSA75×95×1750L	403377100	7.5	1750	14.90	8.75	5
TSA75×95×1750R	403377000	7.5	1750	14.90	8.75	5
TSA80×95×1500L	403700200	8.0	1500	16.00	7.50	5
TSA80×95×1500R	403700100	8.0	1500	16.00	7.50	5
TSA80×95×2100L	403370700	8.0	2100	16.00	10.50	5
TSA80×95×2100R	403370800	8.0	2100	16.00	10.50	5
TSA85×95×1250L	403370900	8.5	1250	17.00	6.25	5
TSA85×95×1250R	403371000	8.5	1250	17.00	6.25	5
TSA85×95×1600L	403377300	8.5	1600	17.00	8.00	5
TSA85×95×1600R	403377200	8.5	1600	17.00	8.00	5
TSA90×95×1400L	403371100	9.0	1400	18.20	7.00	5
TSA90×95×1400R	403371200	9.0	1400	18.20	7.00	5
TSA90×95×1500L	403377500	9.0	1500	18.20	7.50	5
TSA90×95×1500R	403377400	9.0	1500	18.20	7.50	5
TSA95×95×1600L	403371300	9.5	1600	19.30	8.00	5
TSA95×95×1600R	403371400	9.5	1600	19.30	8.00	5

SPRINGS AND SPRING CAPS

Torsion spring

Used in industrial doors of all mounting types with single and double-shaft balancing systems.

Inside diameter, mm	152
Shaft diameter, mm	25.4/31.75
Material	steel wire
Coating	polymeric
Colour	RAL 9006
Measure unit	m



Article	Code	d, mm	Length, mm	Weight, kg/m	Supply rate, m	Supply rate, pcs
TSA75×152×1300L	403377700	7.5	1300	23.20	6.50	5
TSA75×152×1300R	403377600	7.5	1300	23.20	6.50	5
TSA80×152×1500L	403377900	8.0	1500	24.90	7.50	5
TSA80×152×1500R	403377800	8.0	1500	24.90	7.50	5
TSA85×152×1250L	403700600	8.5	1250	26.40	6.25	5
TSA85×152×1250R	403700500	8.5	1250	26.40	6.25	5
TSA85×152×1750L	403700400	8.5	1750	26.40	8.75	5
TSA85×152×1750R	403700300	8.5	1750	26.40	8.75	5
TSA90×152×2100L	403375400	9.0	2100	28.00	10.50	5
TSA90×152×2100R	403375500	9.0	2100	28.00	10.50	5
TSA95×152×1300L	403375700	9.5	1300	29.60	6.50	5
TSA95×152×1300R	403375600	9.5	1300	29.60	6.50	5
TSA95×152×2250L	403372300	9.5	2250	29.60	11.25	5
TSA95×152×2250R	403372400	9.5	2250	29.60	11.25	5
TSA100×152×1400L	403700800	10.0	1400	31.30	7.00	5
TSA100×152×1400R	403700700	10.0	1400	31.30	7.00	5
TSA100×152×2450L	403701000	10.0	2450	31.30	12.25	5
TSA100×152×2450R	403700900	10.0	2450	31.30	12.25	5
TSA105×152×1400L	403372700	10.5	1400	33.13	7.00	5
TSA105×152×1400R	403372800	10.5	1400	33.13	7.00	5
TSA105×152×1800L	403374100	10.5	1800	33.13	9.00	5
TSA105×152×1800R	403374200	10.5	1800	33.13	9.00	5
TSA110×152×1550L	403375800	11.0	1550	34.70	7.75	5
TSA110×152×1550R	403375900	11.0	1550	34.70	7.75	5
TSA115×152×1800L	403701200	11.5	1800	36.51	9.00	5
TSA115×152×1800R	403701100	11.5	1800	36.51	9.00	5
TSA110×152×1800L	403379100	11.0	1800	34.80	9.00	5
TSA110×152×1800R	403379000	11.0	1800	34.80	9.00	5

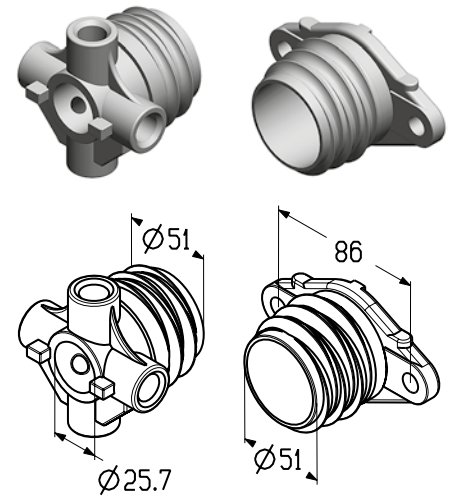
SPRINGS AND SPRING CAPS

Spring caps 51 mm

Used with springs with inside diameter 51 mm.

Material	aluminium
Shaft diameter, mm	25.4
Weight, kg/pair	0.7
Measure unit	pair
Supply rate, pair	100

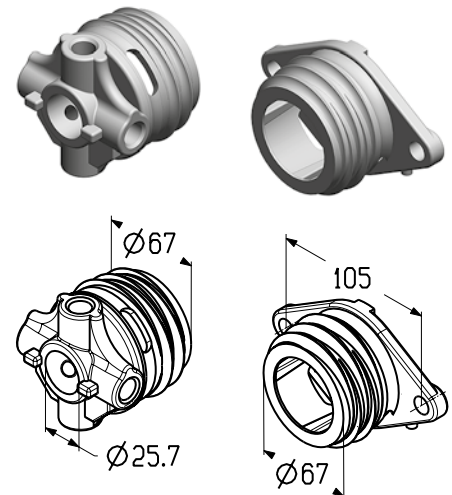
Article	Code
SF-51	403120000

**Spring caps 67 mm**

Used with springs with inside diameter 67 mm.

Material	aluminium
Shaft diameter, mm	25.4
Weight, kg/pair	1
Measure unit	pair
Supply rate, pair	100

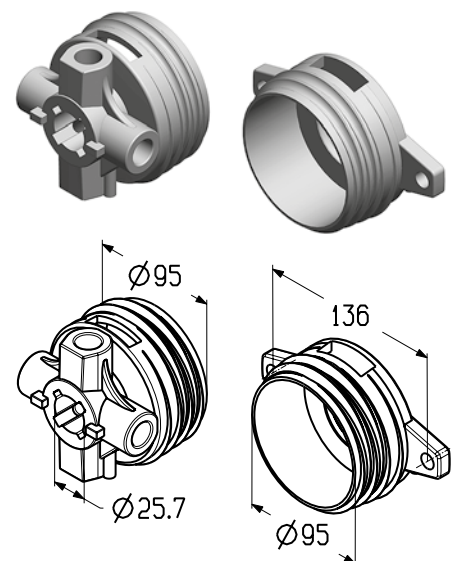
Article	Code
SF-67	403120100

**Spring caps 95 mm**

Used with springs with inside diameter 95 mm.

Material	aluminium
Shaft diameter, mm	25.4
Weight, kg/pair	3.2
Measure unit	pair
Supply rate, pair	20

Article	Code
SF-95	403120200



1.1

1.2

1.3

1.4

1.5

2

3

4

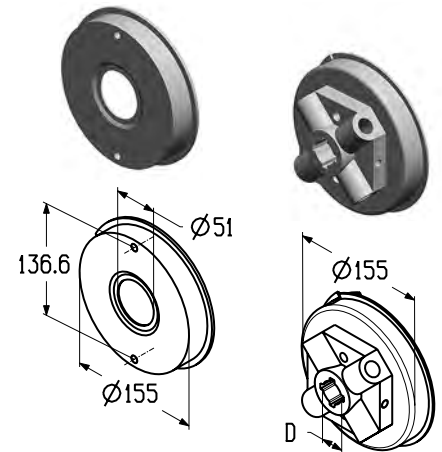
SPRINGS AND SPRING CAPS

Spring caps 152 mm

Used with springs with inside diameter 152 mm.

Material aluminium
 Weight, kg/pair 1.33
 Measure unit pair
 Supply rate, pair 7

Article	Code	Shaft diameter, mm	Notes
SF-152L	403120500	25.40	Left
SF-152R	403120400		Right
SF-152L-5/4	403130200	31.75	Left
SF-152R-5/4	403130100		Right

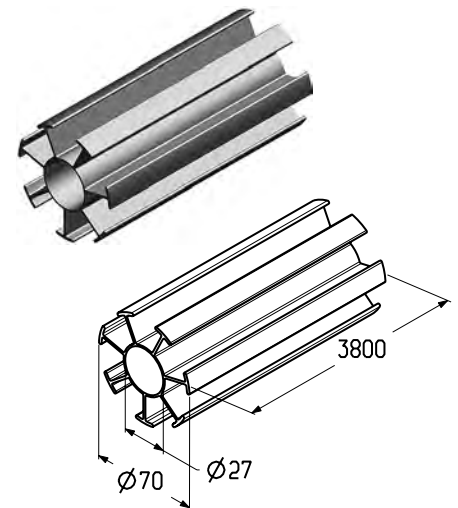


Insert profile

Used with spring with inside diameter 95 mm.

Shaft diameter, mm 25.4
 Length, mm 3800
 Material PVC
 Weight, kg/m 0.57
 Measure unit m
 Supply rate, m 665

Article	Code
IP-95-3800	403520300

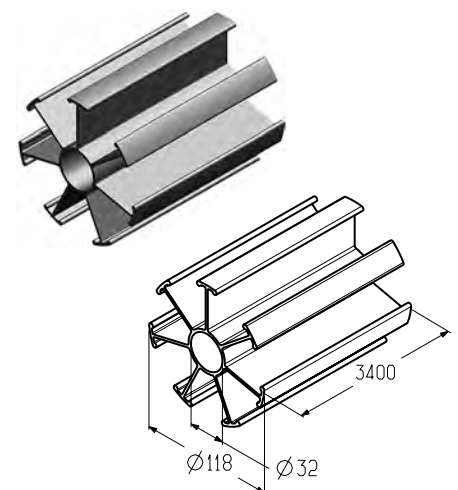


Insert profile

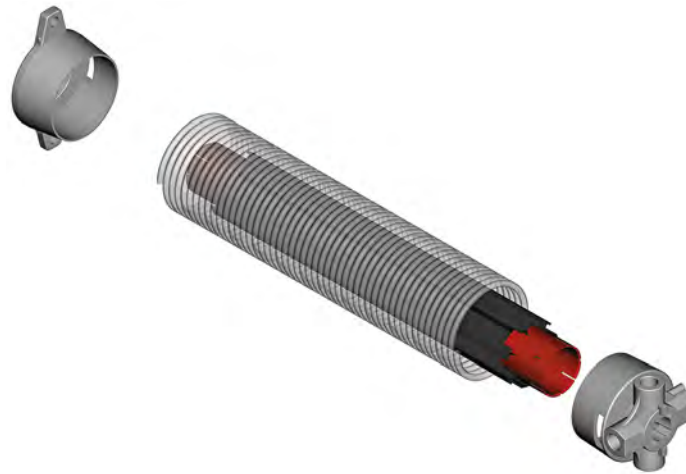
Used with springs with inside diameter 152 mm.

Shaft diameter, mm 25.4/31.75
 Length, mm 3400
 Material PVC
 Weight, kg/m 1.70
 Measure unit m
 Supply rate, m 204

Article	Code
IP-152-3400	403520200



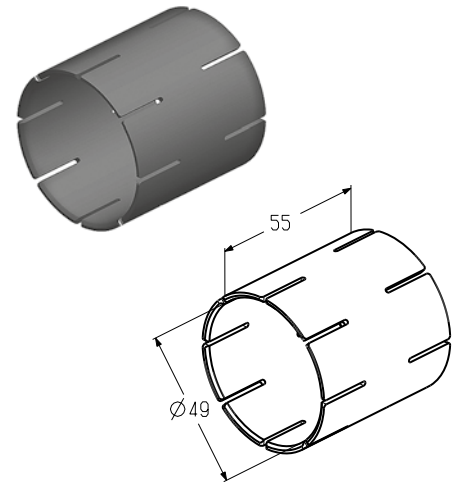
SHAFT ADAPTER INSTALLATION

**Shaft adapter**

Designed for installation together with the insert profile.

Material	PVC
Measure unit	pcs.
Weight, kg/pcs.	0.017
Supply rate, pcs.....	140

Article	Code
DH-4015	453500100



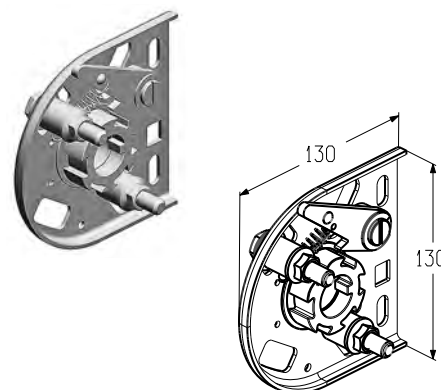
SPRING BREAK DEVICES

Spring break device

Designed to block the shaft in case of spring breakage.
Used in garage doors of standard and low mounting type with torsion springs.

Material galvanized steel
Weight, kg/pcs. 0.7
Shaft diameter, mm 25.4
Measure unit pcs.

Article	Code	Application	Supply rate, pcs
SBD-TR	403732700	Right	32
SBD-TL	403732600	Left	

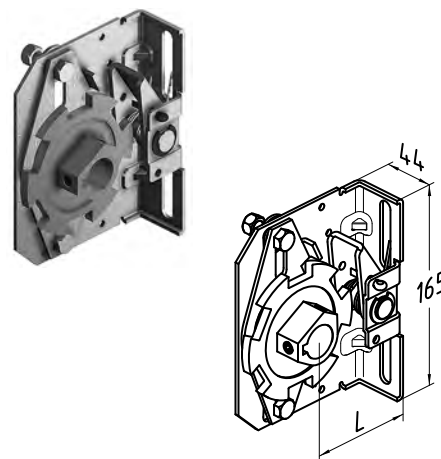


Spring break device

Designed to block the shaft in case of spring breakage.
Used in industrial doors of all mounting types.

Shaft diameter, mm 25.4
Material galvanized steel
Measure unit pcs.

Article	Code	Notes	Weight, kg/pcs	Application	Supply rate, pcs
SBD-86R	403731800	Distance between the wall and shaft pin more than 86 mm	1.59	Right	15
SBD-86L	403731900			Left	15
SBD-111R	403732000	Distance between the wall and shaft pin more than 111 mm	1.77	Right	10
SBD-111L	403732100			Left	10
SBD-127R	403732200	Distance between the wall and shaft pin more than 127 mm	1.95	Right	10
SBD-127L	403732300			Left	10
SBD-152R	403732400	Distance between the wall and shaft pin more than 152 mm	2.31	Right	10
SBD-152L	403732500			Left	10

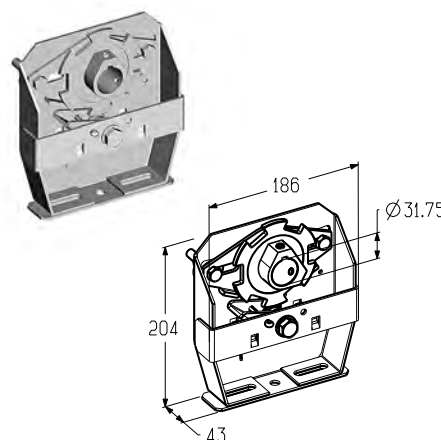


Spring break device

Designed to block the shaft in case of spring breakage. Used in industrial doors of all mounting types with single and double-shaft balancing system. Installed together with springs with inside diameter of 95, 152 mm.

Material galvanized steel
Shaft diameter, mm 31.75
Measure unit pcs.
Weight, kg/pcs. 2.50
Supply rate, pcs 20

Article	Code	Notes
SBD-TSS5/4L	403730800	Left
SBD-TSS5/4R	403730900	Right



CABLE DRUMS

Cable drum

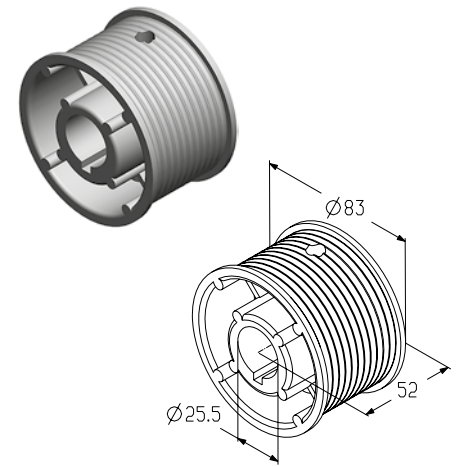
Designed for winding \varnothing 3 mm cable.

Used in:

- garage doors of standard and low mounting types;
- industrial doors of standard, low, inclined low and inclined mounting types with single-shaft balancing system.

Shaft diameter, mm	25.4
Max door height, mm	3000
Max door leaf weight, kg	320
Material	aluminium
Weight, kg/pair	0.8
Measure unit	pair
Supply rate, pair	25

Article	Code
CD010N	403020000



Cable drum

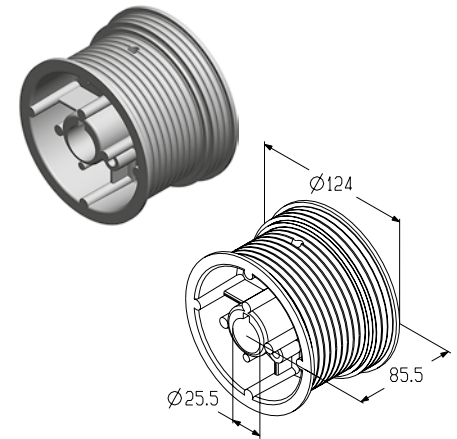
Designed for winding \varnothing 3, 4, 5 mm cable.

Used in:

- garage doors of standard and low mounting types;
- industrial doors of standard, low, inclined low and inclined mounting types with single-shaft balancing system.

Shaft diameter, mm	25.4
Max door height, mm	3680
Max door leaf weight, kg	500
Material	aluminium
Weight, kg/pair	1.1
Measure unit	pair
Supply rate, pair	20

Article	Code
CD012N	403020100



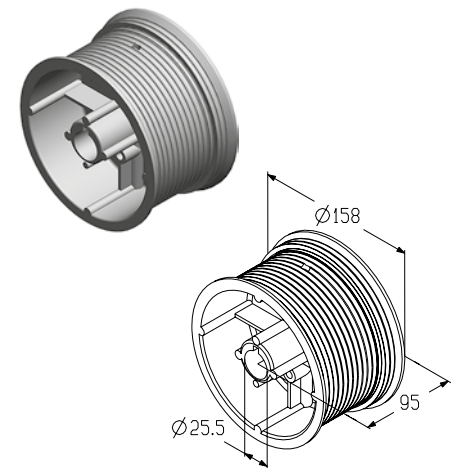
Cable drum

Designed for winding \varnothing 3, 4, 5 mm cable.

Used in industrial doors of standard, low, inclined low and inclined mounting types with single-shaft balancing system.

Shaft diameter, mm	25.4
Max door height, mm	5570
Max door leaf weight, kg	500
Material	aluminium
Weight, kg/pair	1.6
Measure unit	pair
Supply rate, pair	15

Article	Code
CD018N	403020200



CABLE DRUMS

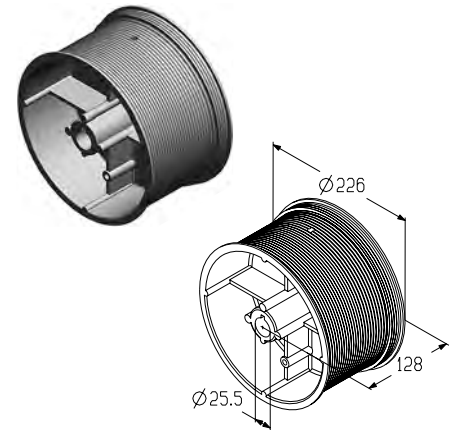
Cable drum

Designed for winding Ø 3, 4, 5, 6 mm cable.

Used in industrial doors of standard, low, inclined low and inclined mounting types with single-shaft balancing system.

Shaft diameter, mm	25.4
Max door height, mm	10175
Max door leaf weight, kg	700
Material	aluminium
Weight, kg/pair	5.1
Measure unit	pair
Supply rate, pair	4

Article	Code
CD032N	403020300



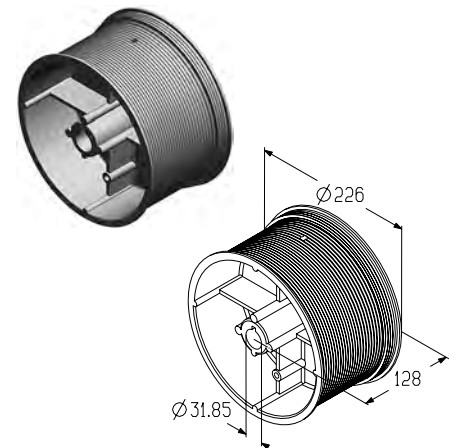
Cable drum

Designed for winding Ø 3, 4, 5, 6 mm cable.

Used in industrial doors of standard, low, inclined low and inclined mounting types with single and double-shaft balancing system.

Shaft diameter, mm	31.75
Max door height, mm	10175
Max door leaf weight, kg	700
Material	aluminium
Weight, kg/pair	5.1
Measure unit	pair
Supply rate, pair	2

Article	Code
CD032N-5/4	403030000



Cable drum

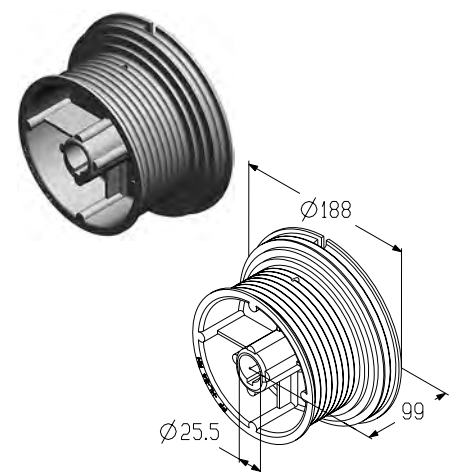
Designed for winding Ø 3, 4, 5 mm cable.

Used in:

- garage doors of high mounting type;
- industrial doors of high and inclined high mounting types with single-shaft balancing system.

Shaft diameter, mm	25.4
Max door height, mm	4800
Max door leaf weight, kg	500
Max HL*, mm	1370
Material	aluminium
Weight, kg/pair	2.1
Measure unit	pair
Supply rate, pair	6

Article	Code
CD054H	403020400



* Maximum distance between the bottom of the headroom and the bottom edge of horizontal track profiles.

CABLE DRUMS

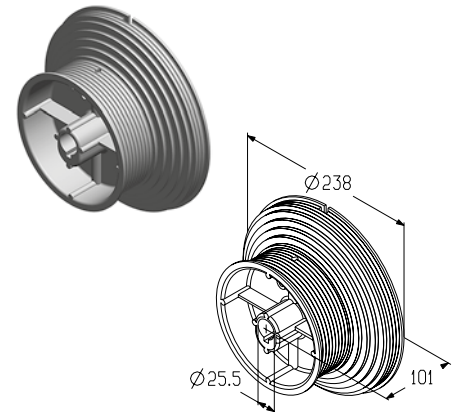
Cable drum

Designed for winding \varnothing 3, 4, 5 mm cable.

Used in industrial doors of high and inclined high mounting types with single-shaft balancing system.

Shaft diameter, mm	25.4
Max door height, mm	5050
Max door leaf weight, kg	500
Max HL*, mm	3050
Material	aluminium
Weight, kg/pair	2.9
Measure unit	pair
Supply rate, pair	5

Article	Code
CD120H	403020500



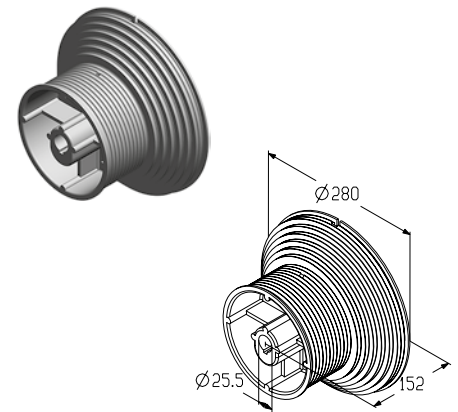
Cable drum

Designed for winding \varnothing 3, 4, 5, 6 mm cable.

Used in industrial doors of high and inclined high mounting types with single-shaft balancing system.

Shaft diameter, mm	25.4
Max door height, mm	6000
Max door leaf weight, kg	650
Max HL*, mm	4100
Material	aluminium
Weight, kg/pair	6.5
Measure unit	pair
Supply rate, pair	3

Article	Code
CD164H	403020600



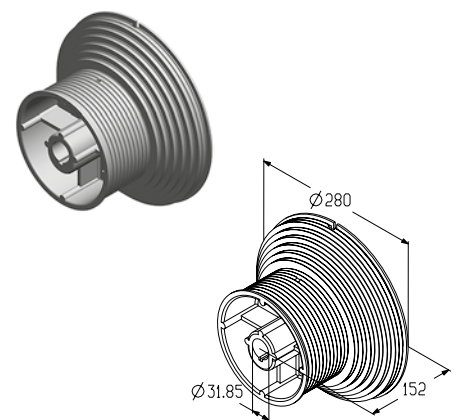
Cable drum

Designed for winding \varnothing 3, 4, 5, 6 mm cable.

Used in industrial doors of high and inclined high mounting types with single and double-shaft balancing systems.

Shaft diameter, mm	31.75
Max door height, mm	6000
Max door leaf weight, kg	650
Max HL*, mm	4100
Material	aluminium
Weight, kg/pair	6.5
Measure unit	pair
Supply rate, pair	2

Article	Code
CD164H-5/4	403030100



* Maximum distance between the bottom of the headroom and the bottom edge of horizontal track profiles.

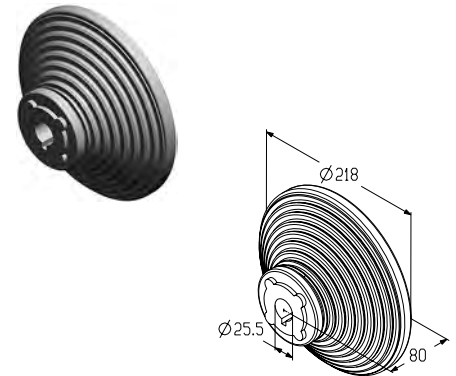
CABLE DRUMS

Cable drum

Designed for winding \varnothing 3, 4, 5 mm cable.
Used in industrial doors of vertical mounting types with single-shaft balancing system.

Shaft diameter, mm	25.4
Max door height, mm	3300
Max door leaf weight, kg	500
Material	aluminium
Weight, kg/pair	1.9
Measure unit	pair
Supply rate, pair	9

Article	Code
CD011V	403020700

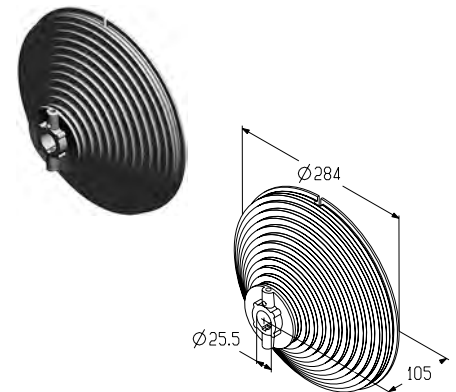


Cable drum

Designed for winding \varnothing 3, 4, 5 mm cable.
Used in industrial doors of vertical mounting types with single-shaft balancing system.

Shaft diameter, mm	25.4
Max door height, mm	6000
Max door leaf weight, kg	600
Material	aluminium
Weight, kg/pair	4
Measure unit	pair
Supply rate, pair	5

Article	Code
CD018V	403020800

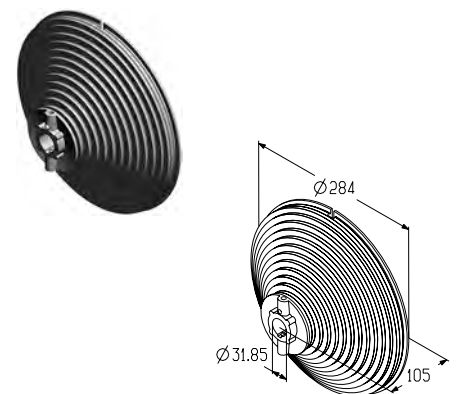


Cable drum

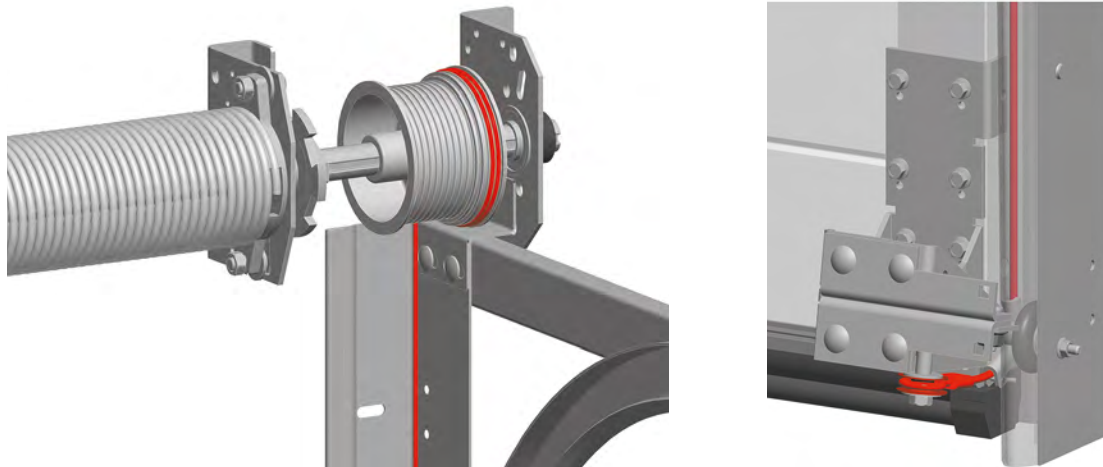
Designed for winding \varnothing 3, 4, 5 mm cable.
Used in industrial doors of vertical mounting types with single and double-shaft balancing system.

Shaft diameter, mm	31.75
Max door height, mm	6000
Max door leaf weight, kg	600
Material	aluminium
Weight, kg/pair	4
Measure unit	pair
Supply rate, pair	4

Article	Code
CD018V-5/4	403030200



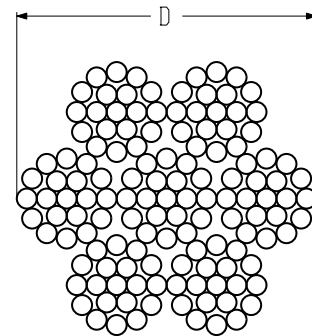
CABLES, CABLE THIMBLES, CABLE SLEEVES

**Cable**

Designed for lifting the door leaf (450 kg and over).

Material galvanized steel
 Measure unit m
 Supply rate, m 250

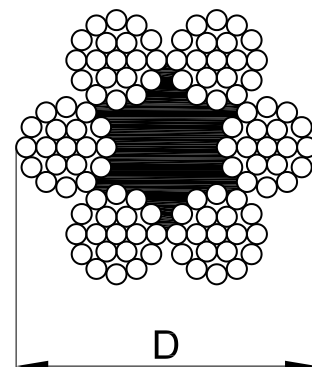
Article	Code	Cable diameter, mm	Weight, kg/m
CR-6-250	403930300	6	0.140

**Cable**

Designed for lifting the door leaf.
 Used in garage and industrial doors of low mounting types.

Material galvanized steel + PVC
 Measure unit m
 Supply rate, m 250

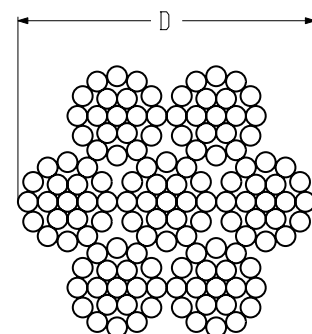
Article	Code	Cable diameter, mm	Weight, kg/m	For door leaf weight, kg
CR-3-250-P	403930800	3	0.055	under 135
CR-4-250-P	403930900	4	0.086	from 135 up to 200
CR-5-250-P	403931000	5	0.125	from 200 up to 450

**Cable**

Designed for lifting the door leaf.

Material stainless steel
 Measure unit m
 Supply rate, m 250

Article	Code	Cable diameter, mm	Weight, kg/m	For door leaf weight, kg
CR-3-250-SS	403930400	3	0.036	under 135
CR-4-250-SS	403930500	4	0.062	from 135 up to 200
CR-5-250-SS	403930600	5	0.102	from 200 up to 450
CR-6-250-SS	403930700	6	0.154	over 450



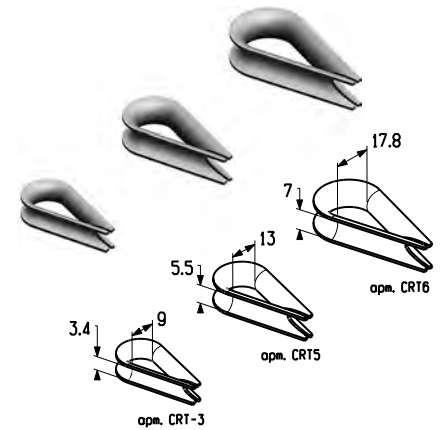
CABLES, CABLE THIMBLES, CABLE SLEEVES

Cable thimble

Designed for crimping the cable.

Material galvanized steel
 Measure unit pcs.
 Supply rate, pcs..... 1000

Article	Code	Cable diameter, mm	Weight, kg/pcs.
CRT-3	403950000	3	0.002
CRT-5	403950100	5 and 4	0.005
CRT-6	403950200	6	0.008

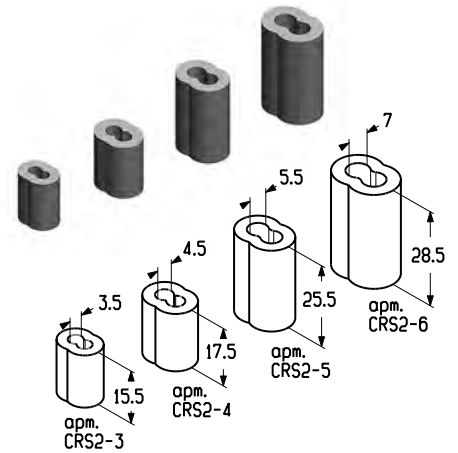


Cable sleeve

Designed for crimping the cable.

Material aluminium
 Measure unit pcs.
 Supply rate, pcs..... 1000

Article	Code	Cable diameter, mm	Weight, kg/pcs.
CRS2-3	403940000	3	0.003
CRS2-4	403940100	4	0.004
CRS2-5	403940200	5	0.007
CRS2-6	403940300	6	0.011

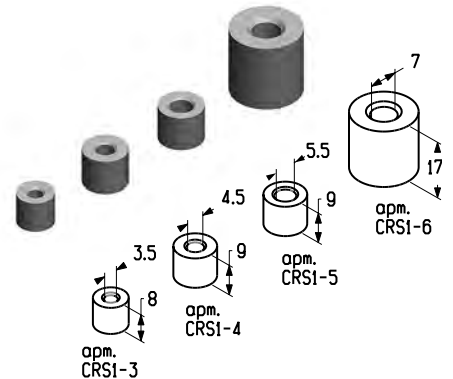


Cable sleeve

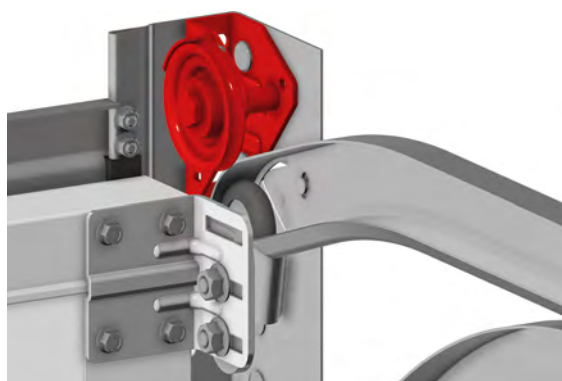
Designed for crimping the cable.

Material aluminium
 Measure unit pcs.
 Supply rate, pcs..... 1000

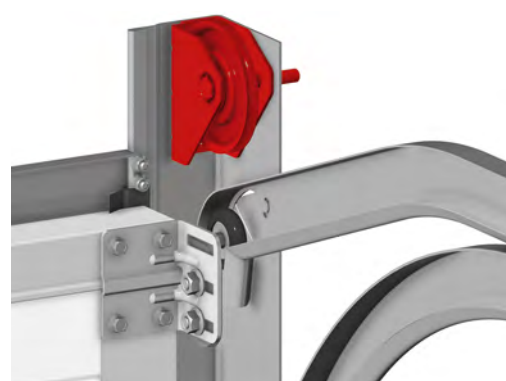
Article	Code	Cable diameter, mm	Weight, kg/pcs.
CRS1-3	403940400	3	0.001
CRS1-4	403940500	4	0.002
CRS1-5	403940600	5	0.002
CRS1-6	403940700	6	0.004



CABLE PULLEYS AND BRACKETS FOR TORSION SHAFT INSTALLATION



PB-3008GR(L)



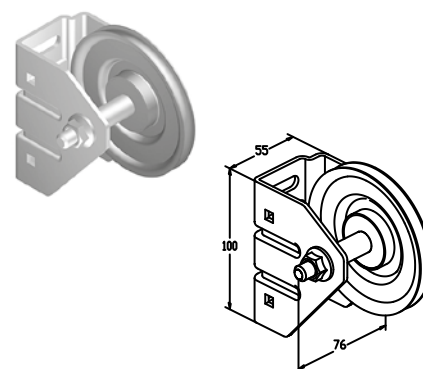
PB-3007IR(L)

Pulley bracket

Designed for installation of Ø3, 4, 5 mm cable.
Used in industrial doors of low and inclined low mounting types.

Outside diameter, mm 100
Material galvanized steel
Weight, kg/pcs. 0.629
Measure unit pcs.
Supply rate, pcs..... 50

Article	Code	Application
PB-3007IR	403410700	Right
PB-3007IL	403410600	Left

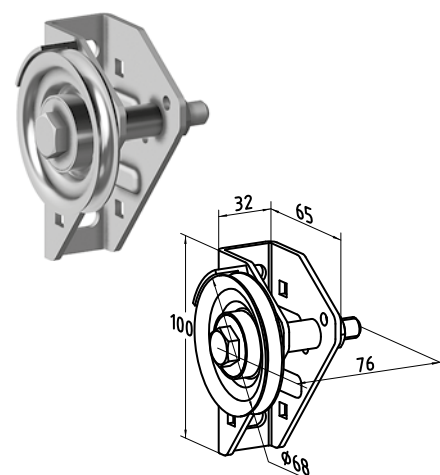


Pulley bracket

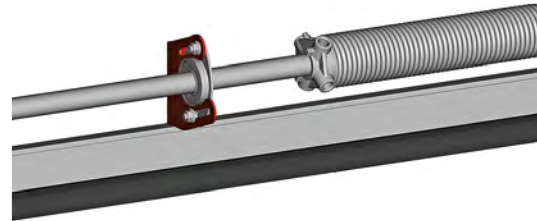
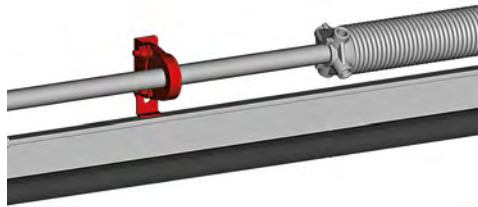
Designed for installation of Ø3 mm cable.
Used in garage doors of low mounting type with torsion springs.

Outside diameter, mm 68
Material galvanized steel
Weight, kg/pcs. 0.490
Measure unit pcs.
Supply rate, pcs..... 50

Article	Code	Application
PB-3008GR	403410500	Right
PB-3008GL	403410400	Left



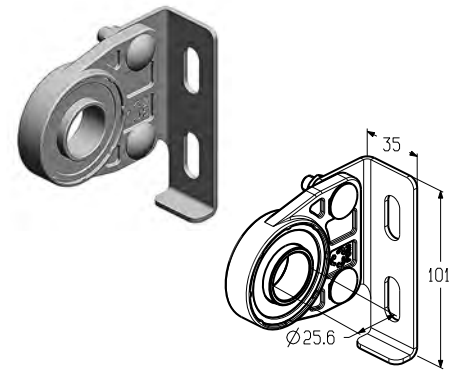
CABLE PULLEYS AND BRACKETS FOR TORSION SHAFT INSTALLATION



Intermediate bracket

Designed for torsion shaft installation.
Used in garage doors of standard mounting type up to 5000 mm wide with torsion springs.

Material galvanized steel+POM
Weight, kg/pcs. 0.326
Measure unit pcs.
Supply rate, pcs..... 70

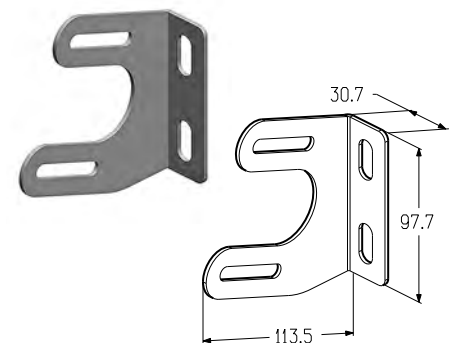


Article	Code
IBB-4501	403431100

Intermediate bracket

Designed for torsion shaft installation. Used in garage doors of standard mounting type over 5000 mm wide with torsion springs. Installed together with a bearing (BB0401) and bearing retainer (BR0400).

Material galvanized steel
Weight, kg/pcs. 0.17
Measure unit pcs.
Supply rate, pcs..... 100

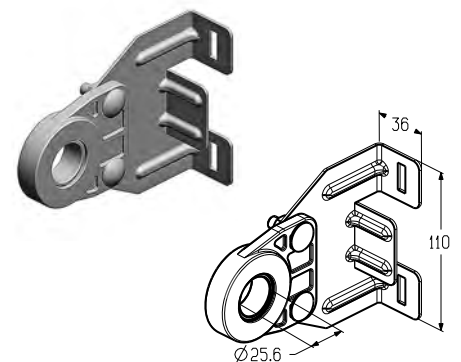


Article	Code
IBB-4502	403431200

Intermediate bracket

Designed for torsion shaft installation.
Used in garage doors of low mounting type up to 5000 mm wide with torsion springs.

Material galvanized steel+POM
Weight, kg/pcs. 0.381
Measure unit pcs.
Supply rate, pcs..... 40



Article	Code
TBB-4505	403431500

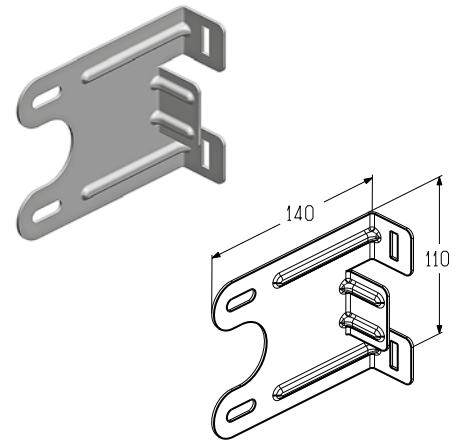
CABLE PULLEYS AND BRACKETS FOR TORSION SHAFT INSTALLATION

Intermediate bracket

Designed for torsion shaft installation. Used in garage doors of low mounting type over 5000 mm wide with torsion springs. Installed together with a bearing (BB0401) and bearing retainer (BR0400).

Material galvanized steel
 Weight, kg/pcs. 0.255
 Measure unit pcs.
 Supply rate, pcs. 100

Article	Code
IBB-4510	403431200

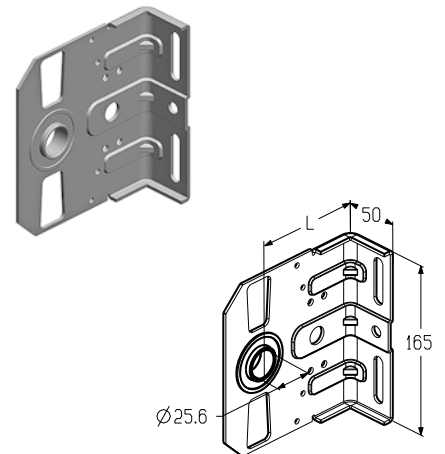


Intermediate bracket

Designed for torsion shaft installation.
 Used in industrial doors of all mounting types.

Material galvanized steel
 Shaft diameter, mm 25.4
 Measure unit pcs.

Article	Code	Size (L), mm	Weight, kg/pcs.	Supply rate, pcs
IB-86M	403431900	86	0.762	30
IB-111M	403432000	111	0.681	30
IB-127M	403432100	127	0.855	30
IB-152M	403432200	152	1.211	20

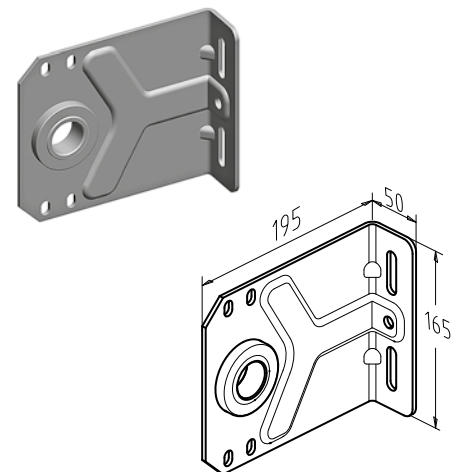


Intermediate bracket

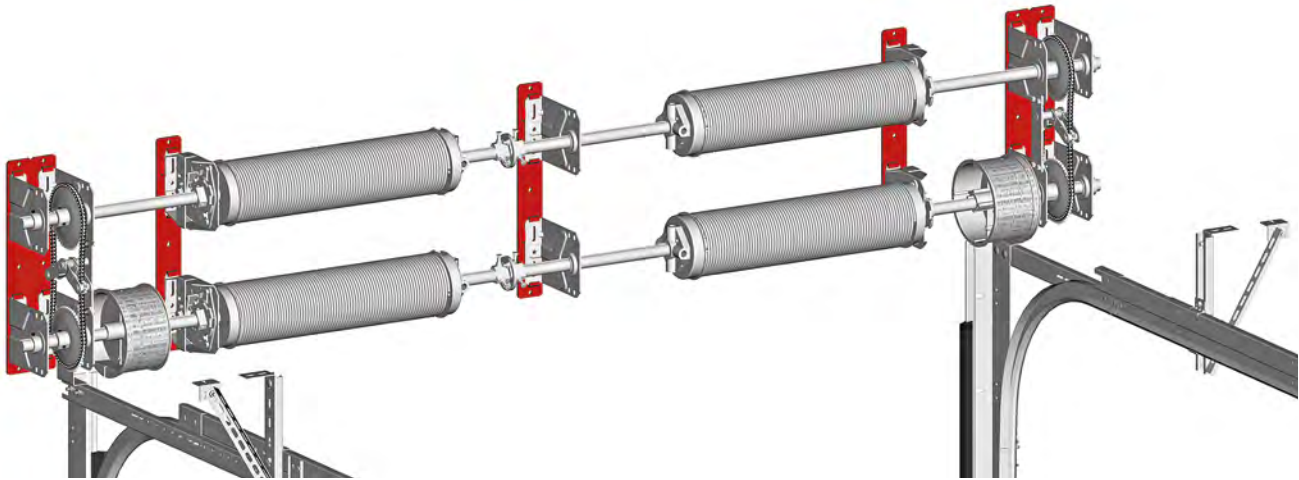
Designed for torsion shaft installation.
 Used in industrial doors of all mounting types.

Material galvanized steel
 Shaft diameter, mm 31.75
 Weight, kg/pcs. 1.17
 Measure unit pcs.
 Supply rate, pcs. 15

Article	Code
IB-152-5/4	403430600



MOUNTING PLATE INSTALLATION

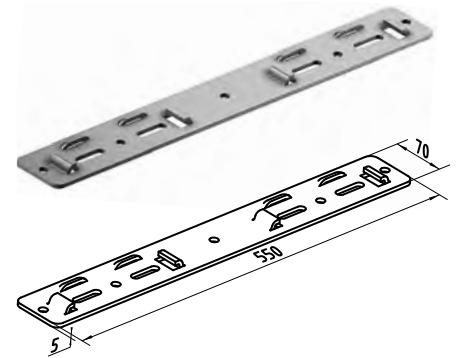


Mounting plate

Designed for fastening the spring break device (SBD-TSS5/4L/R) and intermediate bracket (IB-152-5/4) to the wall.

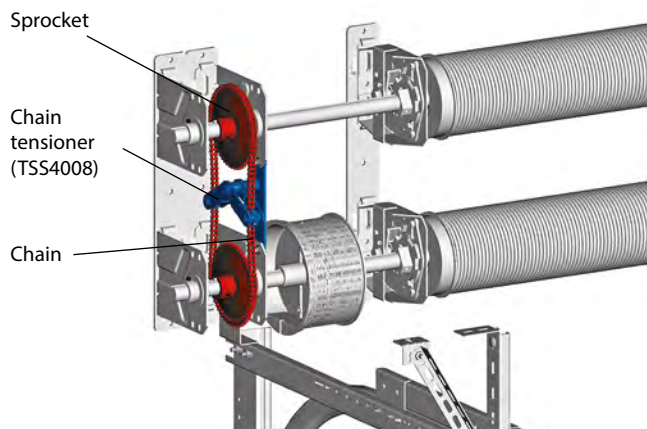
Used in industrial doors of all mounting types with top shaft positioning and double-shaft balancing system.

Material galvanized steel
 Weight, kg/pcs. 1.44
 Measure unit pcs.
 Supply rate, pcs. 16

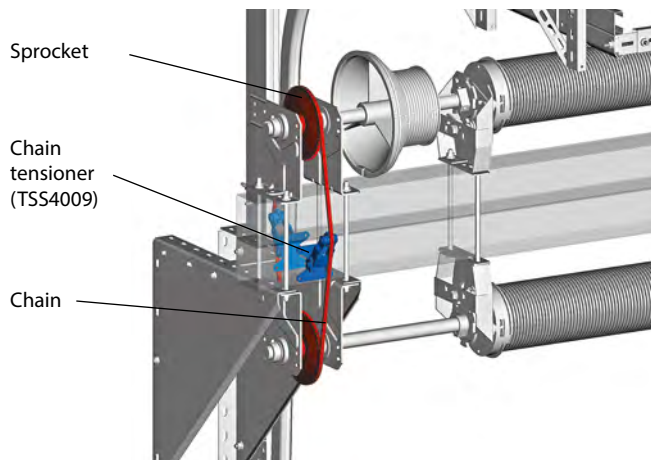


Article	Code
TSS4004	403901100

CABLE PULLEYS AND BRACKETS FOR TORSION SHAFT INSTALLATION



Top shaft positioning



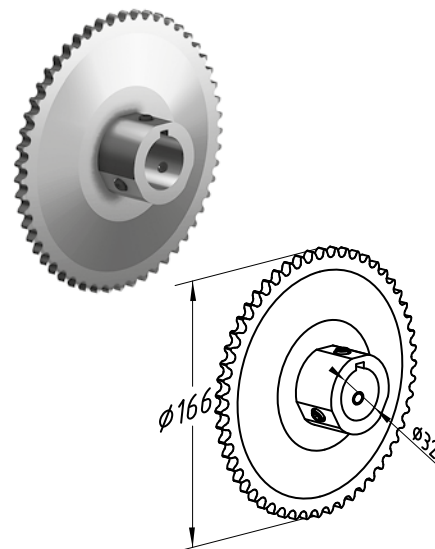
Bottom shaft positioning

Sprocket

Designed for torque transmission between two shafts.
Used in industrial doors of all mounting types with double-shaft balancing system.

Material oxidized steel
Weight, kg/pcs. 2.1
Measure unit pcs.
Supply rate, pcs. 168

Article	Code
TSS4005	403901200

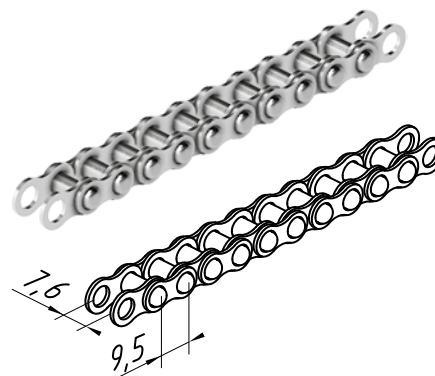


Chain

Designed for torque transmission between two shafts.
Used in industrial doors of all mounting types with double-shaft balancing system.

Material galvanized steel
Measure unit pcs.

Article	Code	Chain length, mm	Notes	Weight, kg/pcs.	Supply rate, pcs
TSS4006	403901300	1133	Top shaft positioning	0.3	50
TSS4007	403901400	1514	Bottom shaft positioning	0.4	40



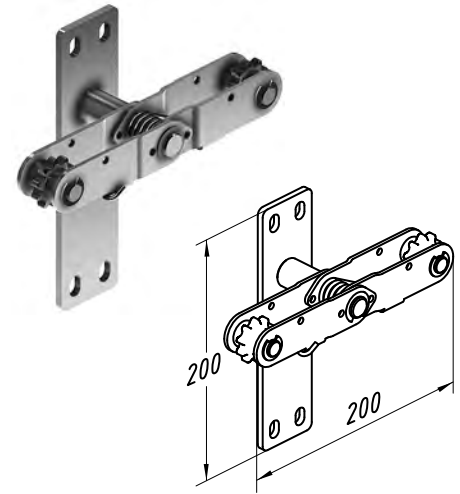
CABLE PULLEYS AND BRACKETS FOR TORSION SHAFT INSTALLATION

Chain tensioner

Designed for tensioning the chain (TSS4006, TSS4007).
Used in industrial door of standard, inclined, high, vertical, inclined high mounting types with top shaft positioning and double-shaft balancing system.

Weight, kg/pcs. 1.05
Measure unit pcs.
Supply rate, pcs. 21

Article	Code
TSS4008	403901500

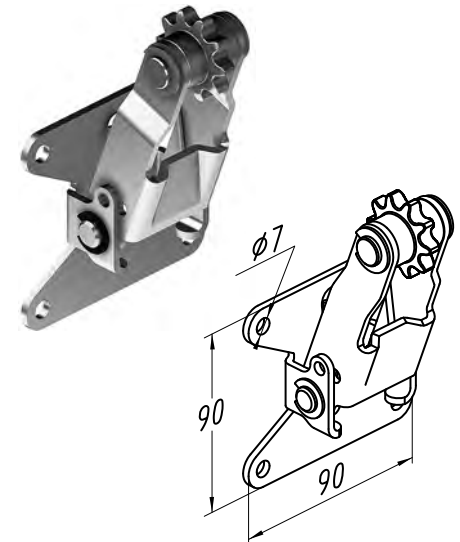


Chain tensioner

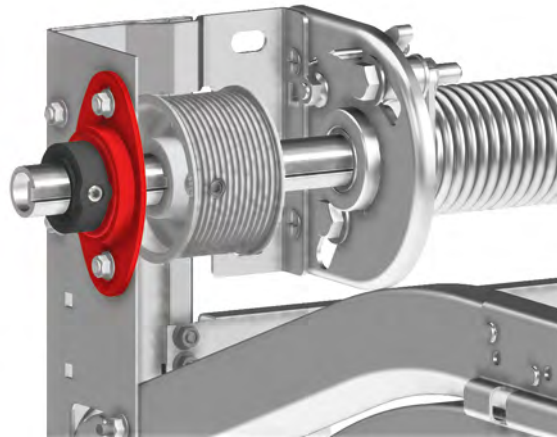
Designed for tensioning the chain (TSS4006, TSS4007).
Used in industrial door of high, inclined high and vertical mounting types with bottom shaft positioning and double-shaft balancing system.

Weight, kg/pcs. 0.39
Measure unit pcs.
Supply rate, pcs. 56

Article	Code
TSS4009	403901600



CABLE PULLEYS AND BRACKETS FOR TORSION SHAFT INSTALLATION

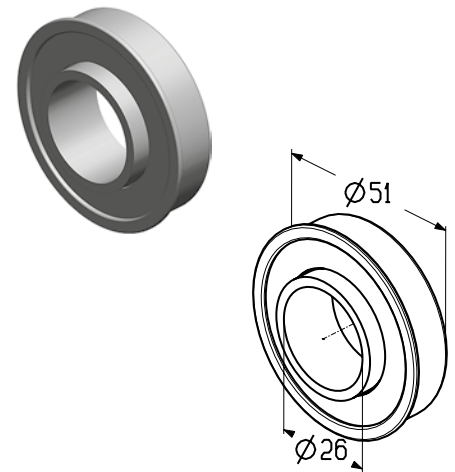


Bearing

Designed for installation with bearing retainer (BR0400).
Used in garage doors of standard mounting type.

Weight, kg/pcs. 0.112
Measure unit pcs.
Supply rate, pcs. 200

Article	Code
BB0401	403910000

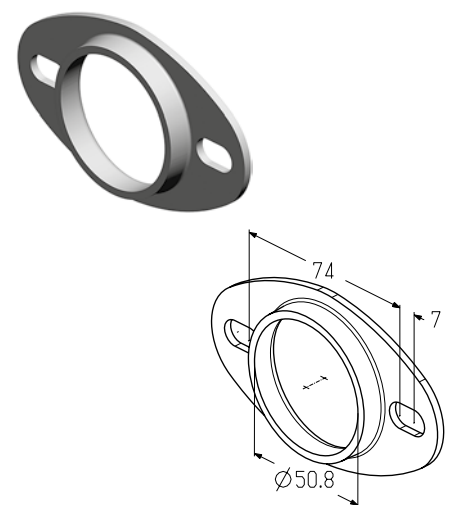


Bearing retainer

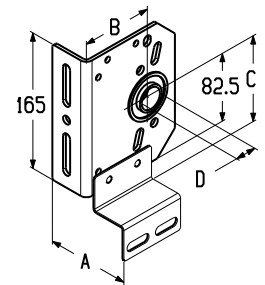
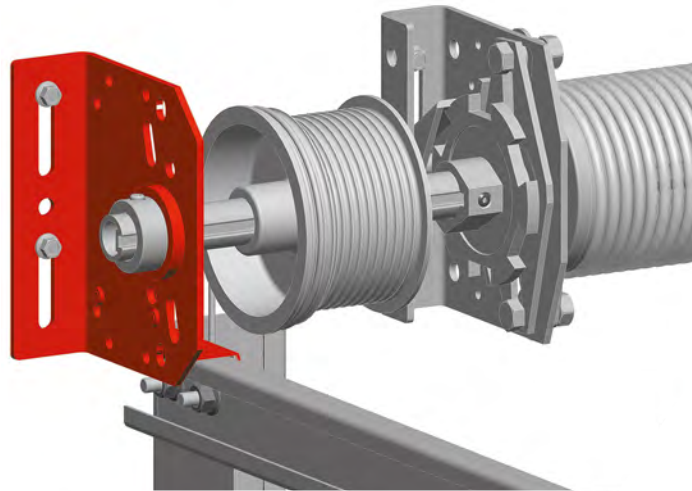
Designed for installation with a bearing (BB0401).
Used in garage doors of standard mounting type.

Material galvanized steel
Weight, kg/pcs. 0.118
Measure unit pcs.
Supply rate, pcs. 200

Article	Code
BR0400	403920000



CABLE PULLEYS AND BRACKETS FOR TORSION SHAFT INSTALLATION



Left/right side bracket

Designed for torsion shaft fixing to the door opening and angle profile.
Used in industrial doors with single-shaft balancing system.

Shaft diameter, mm 25.4
Material galvanized steel
Measure unit pcs.
Supply rate, pcs..... 15

Article	Code	Main parameters			Shaft diameter, mm	Weight, kg/pcs.	Notes
		A, mm	B*, mm	C, mm			
TBI510ML	403422900	93	86	72.5	25.40	0.905	• for industrial doors of standard and inclined mounting types
TBI510MR	403423000						
TBI520ML	403423100	93	111	72.5	25.40	0.932	
TBI520MR	403423200						
TBI530ML	403423300	93	111	82.5	25.40	0.932	
TBI530MR	403423400						
TBI560ML	403423500	93	127	142.5	25.40	1.056	
TBI560MR	403423600						
TBI580L	403422300	93	152	142.5	31.75	1.550	
TBI580R	403422400						
TBI540ML	403423700	93	111	105.5	25.40	0.932	• for garage doors of high mounting type; • for industrial doors of standard and inclined mounting type, inclined high mounting type with top shaft positioning and high mounting type with top shaft positioning
TBI540MR	403423800						
TBI550ML	403423900	113	127	124.5	25.40	1.049	• for garage doors of high mounting type; • for industrial doors of high, inclined high and vertical mounting types with top shaft positioning
TBI550MR	403424000						
TBI570ML	403424100	128	152	144.5	25.40	1.455	• for industrial doors of high, inclined high and vertical mounting types with top shaft positioning
TBI570MR	403424200						
TBI590L	403422500	128	152	144.5	31.75	1.590	
TBI590R	403422600						

* Distance between the wall and shaft axis.

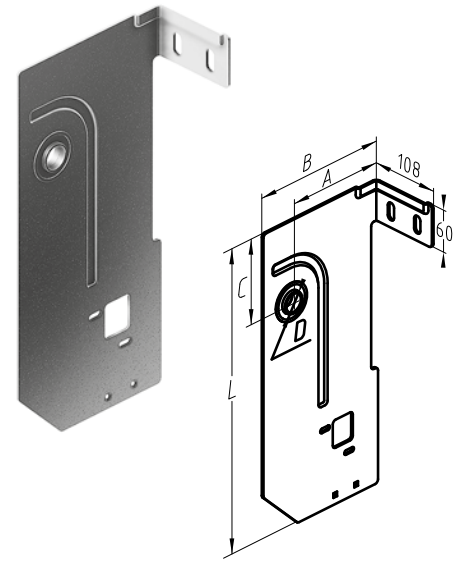
CABLE PULLEYS AND BRACKETS FOR TORSION SHAFT INSTALLATION

Torsion shaft support bracket

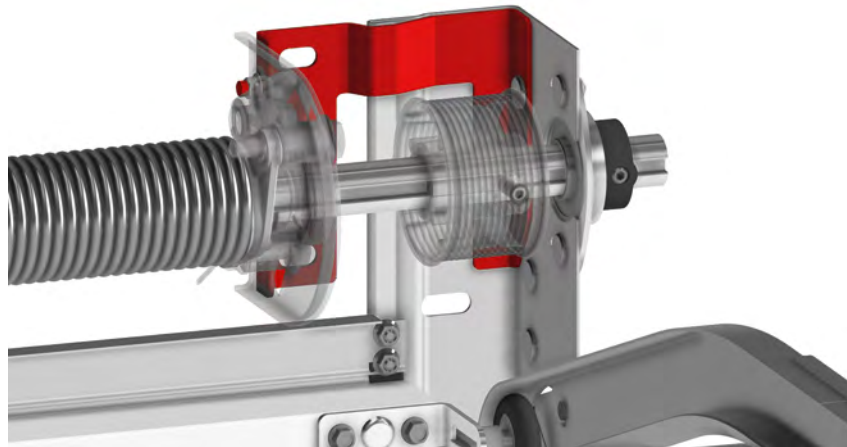
Designed for torsion shaft fixing to the door opening and angle profile.
Used in industrial doors of low mounting type with top shaft positioning and single-shaft balancing system.

Material galvanized steel
 Measure unit pcs.
 Supply rate, pcs 1

Article	Code	Weight, kg/pcs.	Main parameters				Diameter (d), mm
			A	B	C	L	
TBI-600R	403424400	1.212	86	125	80	330	25.6
TBI-600L	403424300	1.212	86	125	80	330	25.6
TBI-610R	403424600	1.616	111	150	115	425	25.6
TBI-610L	403424500	1.616	111	150	115	425	25.6
TBI-630R	406136698	2.222	152	200	115	435	25.6
TBI-630L	406136697	2.222	152	200	115	435	25.6
TBI-640R	406136700	2.222	152	200	115	435	31.75
TBI-640L	406136699	2.222	152	200	115	435	31.75



CABLE PULLEYS AND BRACKETS FOR TORSION SHAFT INSTALLATION

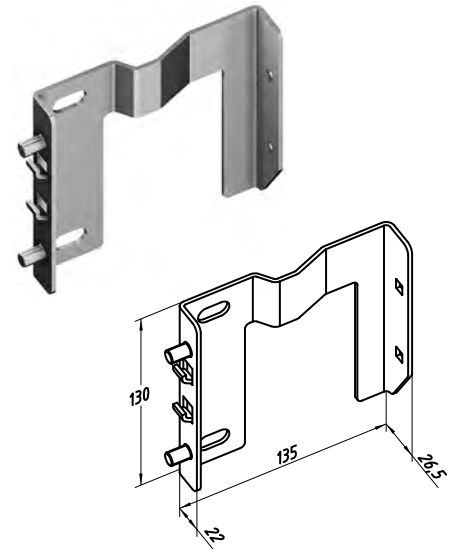


Bracket

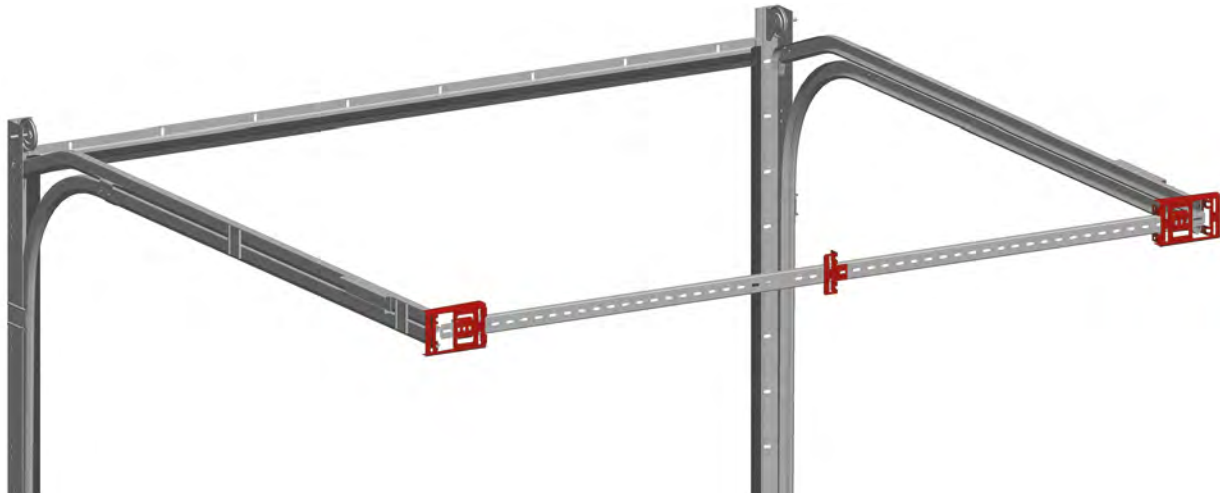
Designed for connecting the spring break device (SBD-TL, SBD-TR) and angle profile (PRG02NL/R).
Used in garage doors of standard mounting type.

Material galvanized steel
Weight, kg/pcs. 0.311
Measure unit pcs.
Supply rate, pcs..... 72

Article	Code
TBG816L	406136715
TBG816R	406136716



CABLE PULLEYS AND BRACKETS FOR TORSION SHAFT INSTALLATION

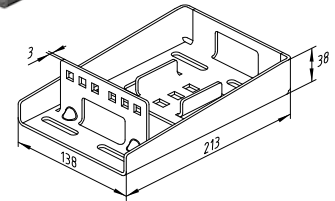
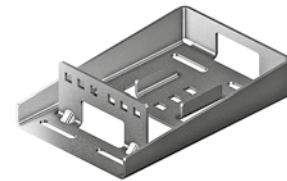


Bracket

Designed for fixing horizontal track profiles with the spacer bar and for torsion shaft fixing.
Used in industrial doors of low and inclined low mounting types with single-shaft balancing system.

Material galvanized steel
Weight, kg/pcs. 1.00
Measure unit pcs.
Supply rate, pcs. 18

Article	Code
TBI915	403422700

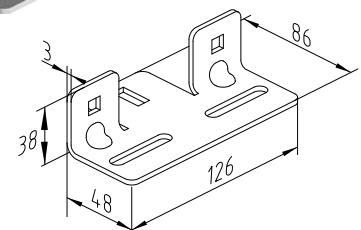
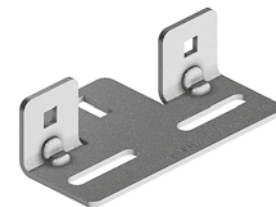


Bracket

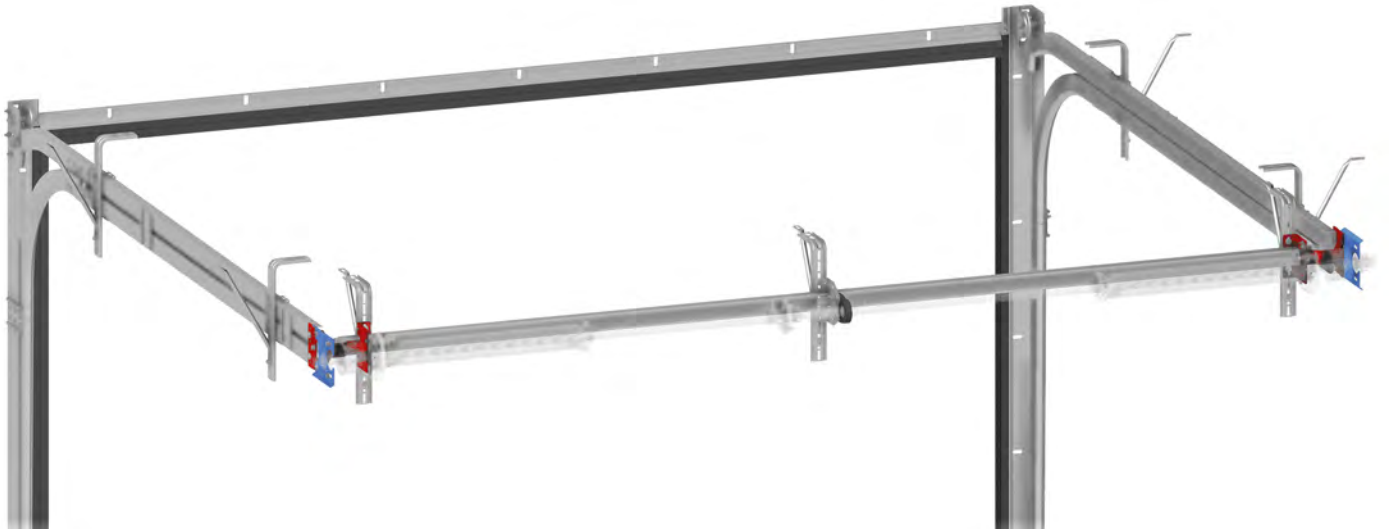
Designed for fixing the side bracket and telescopic hanger to the spacer bar.
Used in industrial doors of low and inclined low mounting types with single-shaft balancing system.

Material galvanized steel
Weight, kg/pcs. 0.2
Measure unit pcs.
Supply rate, pcs. 120

Article	Code
TBI925	403422800



CABLE PULLEYS AND BRACKETS FOR TORSION SHAFT INSTALLATION

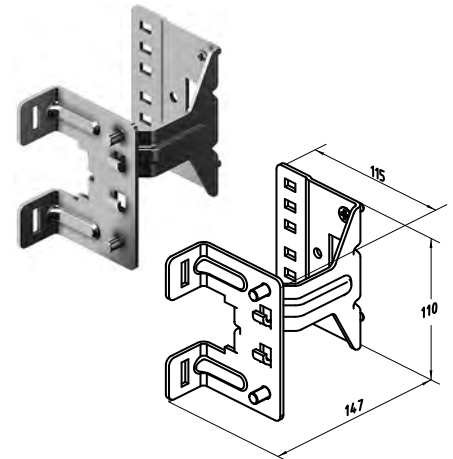


Bracket

Designed for fixing the torsion shaft to the spacer bar.
Used in garage doors of low mounting type.

Material galvanized steel
Weight, kg/pcs. 0.550
Measure unit pcs.
Supply rate, pcs. 1

Article	Code
TBP-916L	406136717
TBP-916R	406136716

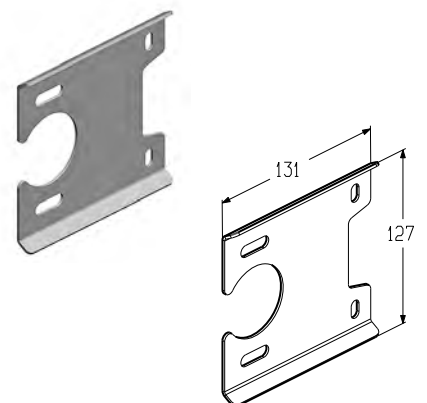


Side bracket

Designed for torsion shaft installation.
Used in garage doors of low mounting type with torsion springs.

Shaft diameter, mm 25.4
Material galvanized steel
Weight, kg/pcs. 0.158
Measure unit pcs.
Supply rate, pcs. 100

Article	Code
TBT-4503	403431300



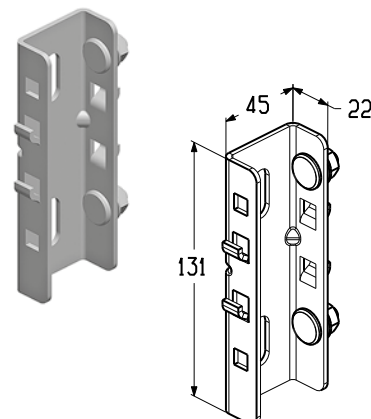
CABLE PULLEYS AND BRACKETS FOR TORSION SHAFT INSTALLATION

Intermediate bracket

Designed for fixing the spring break device (SBD-TR/L) to the opening.
Used in garage doors of standard mounting type with 3 and more torsion springs.

Material galvanized steel
 Weight, kg/pcs. 0.248
 Measure unit pcs.
 Supply rate, pcs..... 108

Article	Code
IB-4508	403431700

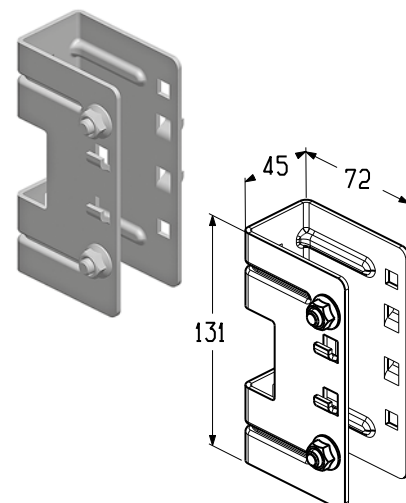


Intermediate bracket

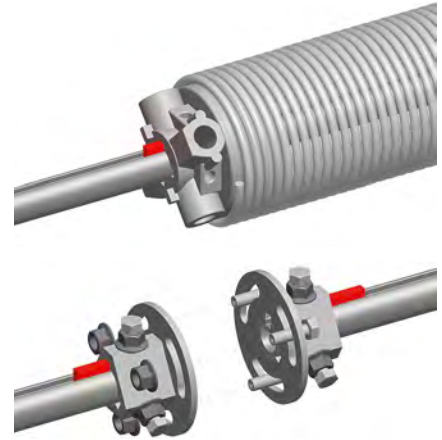
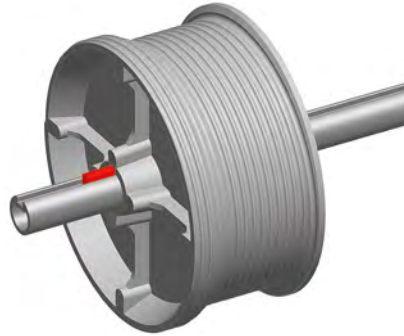
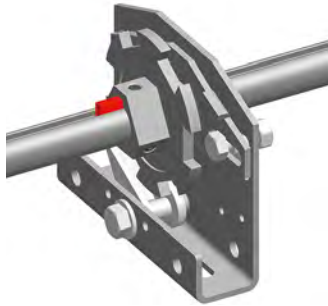
Designed for fixing the spring break device (SBD-TR/L) to the spacer bar.
Used in garage doors of low mounting type with 3 and more torsion springs.

Material galvanized steel
 Weight, kg/pcs. 0.397
 Measure unit pcs.
 Supply rate, pcs..... 48

Article	Code
IB-4509	403431800



SHAFT KEYS AND LOCK RINGS

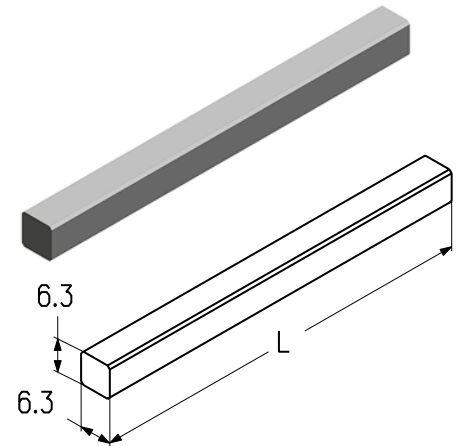


Shaft key

Designed for installation on the solid shaft (TSS, TSS-5/4).

Material galvanized steel
Measure unit pcs.

Article	Code	Length, mm	Weight, kg/pcs.	Application	Supply rate, pcs
SKS-38	403970000	38	0.015	Installed into spring break device and connecting coupler	1000
SKS-75	403970100	75	0.026	Installed into cable drum and spring cap (SF-95, SP-152, SP-152-5/4)	800

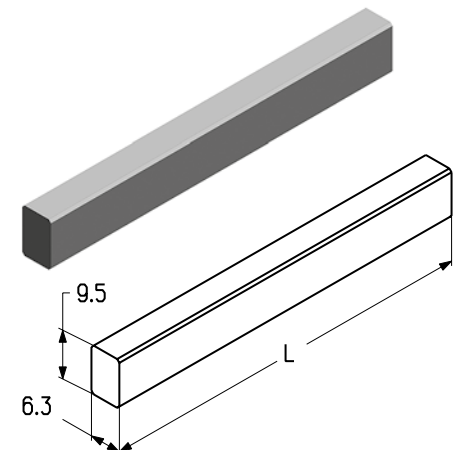


Shaft key

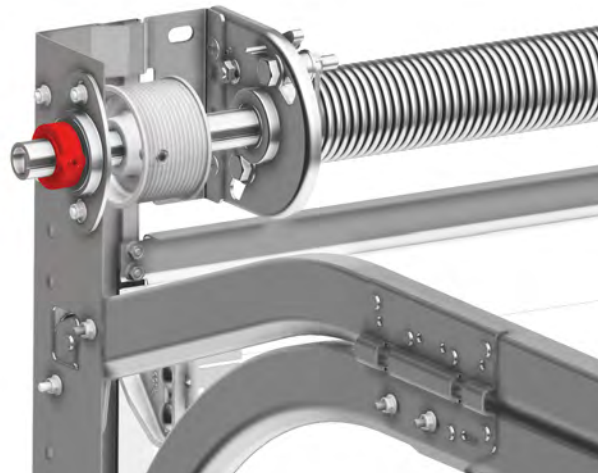
Designed for installation on the hollow shaft (TSH).

Material galvanized steel
Measure unit pcs.

Article	Code	Length, mm	Weight, kg/pcs.	Application	Supply rate, pcs
SKH-38	403970200	38	0.18	Installed into spring break device and connecting coupler	1200
SKH-75	403970300	75	0.21	Installed into cable drum and spring cap (SF-95, SP-152, SP-152-5/4)	600



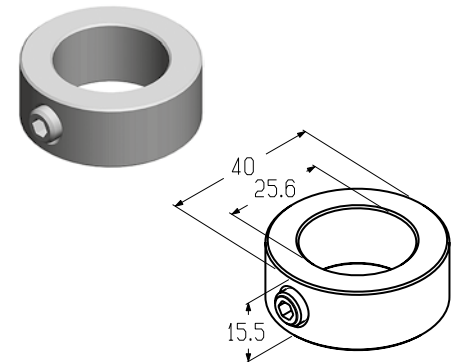
SHAFT KEYS AND LOCK RINGS

**Lock ring**

Designed for installation on the shaft with 25.4 mm diameter in industrial doors of all mounting types with single-shaft balancing system.
Prevents shaft axial displacement.

Material galvanized steel
Weight, kg/pcs. 0.1
Measure unit pcs.
Supply rate, pcs. 200

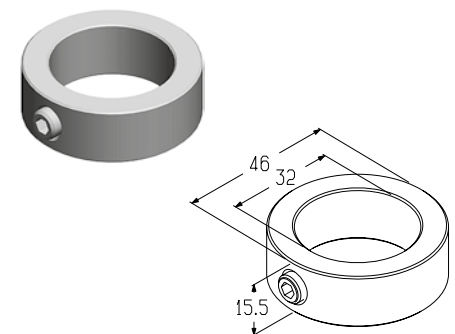
Article	Code
SCI-1	403960000

**Lock ring**

Designed for installation on the shaft with 31.75 mm diameter in industrial doors of all mounting types with single and double-shaft balancing systems.
Prevents shaft axial displacement.

Material galvanized steel
Weight, kg/pcs. 0.15
Measure unit pcs.
Supply rate, pcs. 100

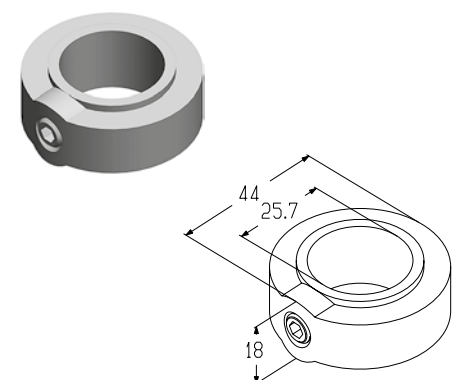
Article	Code
SCI-5/4	403960100

**Lock ring**

Designed for installation on the shaft with 25.4 mm diameter in garage doors of all mounting types.
Prevents shaft axial displacement.

Material nylon
Weight, kg/pcs. 0.020
Measure unit pcs.
Supply rate, pcs. 200

Article	Code
SCG-1	403960200

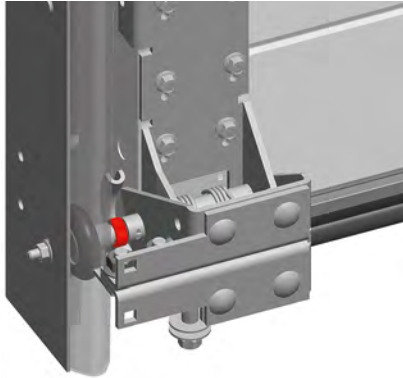


2

Optional extras

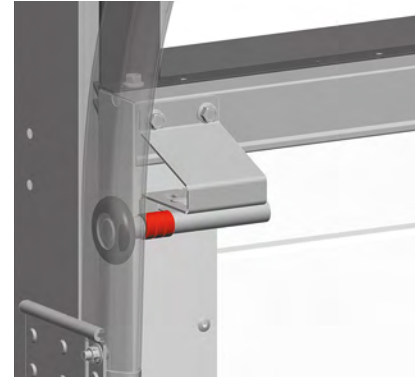
DISTANCE RING INSTALLATION

DISTANCE RING DR-11



Bottom bracket

DISTANCE RING DR-12



Side bracket

Distance ring

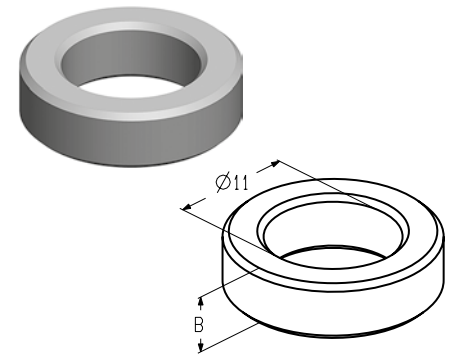
Designed for installation on the rollers of bottom bracket (RBI446L/R, RBI446ML/R). Used in industrial doors of all mounting types. Designed for installation on cable pulley pin.

Used in:

- garage doors of low mounting type;
- industrial doors of low and inclined low mounting types.

Inside diameter, mm 11
 Material galvanized steel
 Measure unit pcs.
 Supply rate, pcs. 300

Article	Code	Width (B), mm	Weight, kg/pcs.
DR-11-05	403960300	5	0.005
DR-11-07	403960400	7	0.007
DR-11-10	403960500	10	0.019



Distance ring

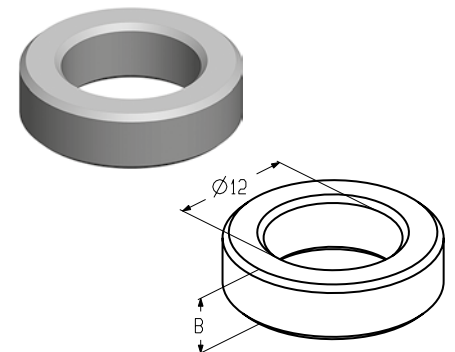
Designed for installation on the rollers of side bracket (RBI-45.127) onto the top door panel.

Used in:

- garage doors of high mounting type;
- industrial doors of all mounting types.

Inside diameter, mm 12
 Material galvanized steel
 Measure unit pcs.
 Supply rate, pcs. 200

Article	Code	Width (B), mm	Weight, kg/pcs.
DR-12-05	403960600	5	0.004
DR-12-07	403960700	7	0.006
DR-12-10	403960800	10	0.008

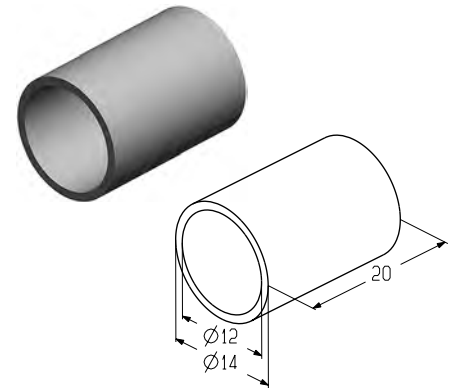


Insert

Designed to prevent the cable from wearing off. Installed on the rollers of the first and second from the bottom side brackets (RBI123). Used in industrial doors of high, vertical, inclined high mounting types with bottom shaft positioning.

Material PVC
 Weight, kg/pcs. 0.154
 Measure unit pcs.
 Supply rate, pcs. 50

Article	Code
I0500	403900000



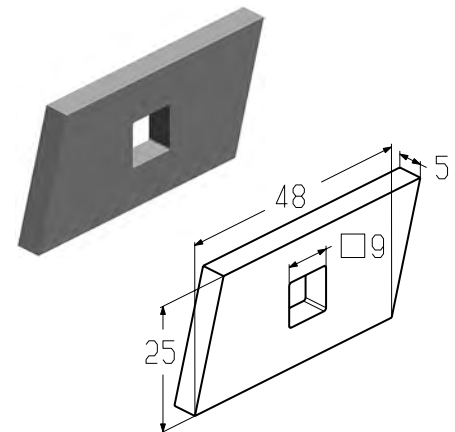
Clamp plate

Designed for:

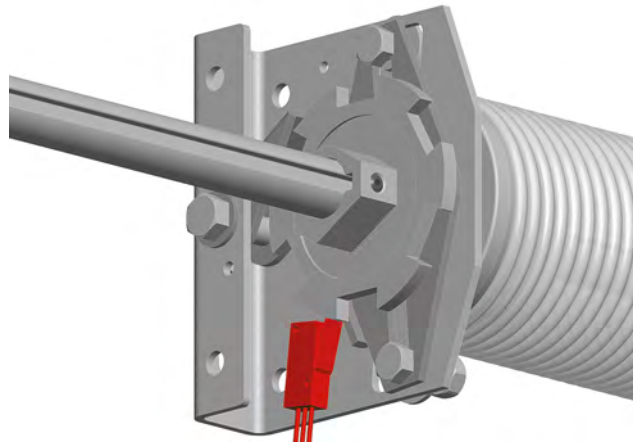
- fixing the spring damper to horizontal track profiles in industrial doors of all mounting types;
- fixing the lifting block (HKU001) in garage doors of all mounting types and industrial doors of all mounting types except for vertical, high, inclined high with bottom shaft positioning.

Material galvanized steel
 Weight, kg/pcs. 0.04
 Measure unit pcs.
 Supply rate, pcs. 100

Article	Code
CP0506	403900100



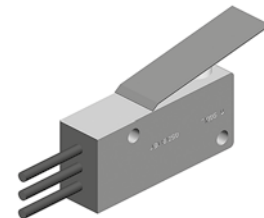
SECURITY SENSOR INSTALLATION



Microswitch

Used to stop the electric drive in case of spring breakage. Installed together with spring break device.
Used in industrial doors of all mounting types.

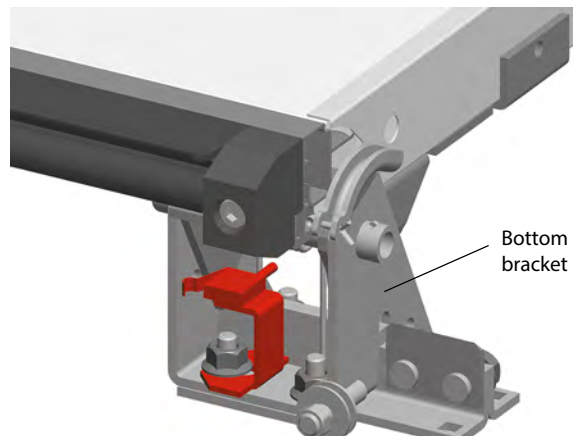
Weight, kg/pcs. 0.03
 Measure unit pcs.
 Supply rate, pcs..... 50



Article	Code
SS0402	403900200

SECURITY SENSOR INSTALLATION

SWITCH SS446L/R



Bottom bracket

Switch

Designed to stop the electric drive in case of cable break. Installed together with the bottom bracket (RBI446L/R, RBI446ML/R, RBI-45.110L/R, RBI-45.120L/R). Used in industrial doors of all mounting types.

Weight, kg/pcs. 0.6
 Measure unit pcs.
 Supply rate, pcs. 25

Article	Code	Material
SS446L	403900300	Left
SS446R	403900400	Right

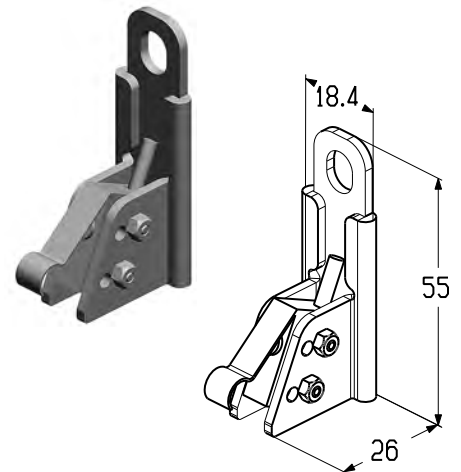


Switch

Designed to stop the electric drive in case of cable break. Installed together with the bottom bracket (RBI-40.100R/L, RBI-40.100DR/L). Used in industrial doors of all mounting types.

Weight, kg/pcs. 0.03
 Measure unit pcs.
 Supply rate, pcs. 1

Article	Code
SS-40.100	401200400

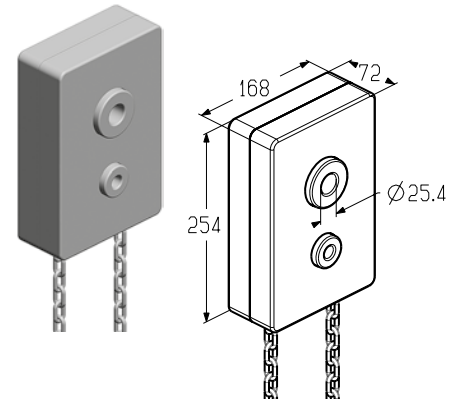


Chain hoist

Designed for lifting/lowering the door leaf.
Used in industrial doors of all mounting types.

Weight, kg/pcs. 5
Measure unit pcs.
Supply rate, pcs. 1

Article	Code
CH0501	403900500

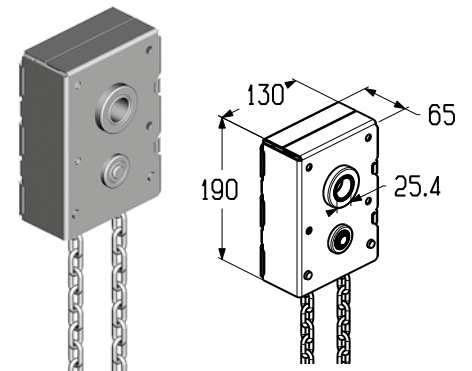


Chain hoist

Designed for lifting/lowering the door leaf.
Used in garage doors of all mounting types (except for tension springs).

Weight, kg/pcs. 5.8
Measure unit pcs.
Supply rate, pcs. 1

Article	Code
CH-5013	403903000

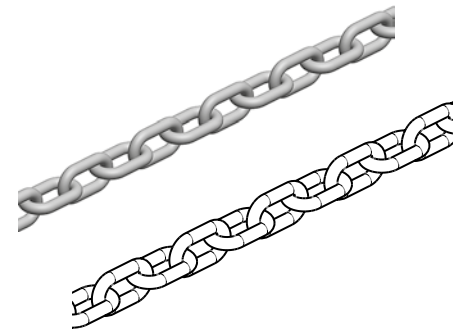


Chain

Designed to extend the chain of the chain hoist (CH0501, CH-5013).
Used in industrial and garage doors of all mounting types.

Material galvanized steel
Weight, kg/m 0.5
Measure unit m
Supply rate, m 25

Article	Code
C0502G	418700130

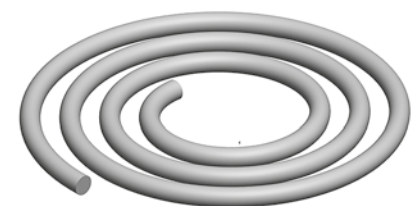


Pull rope

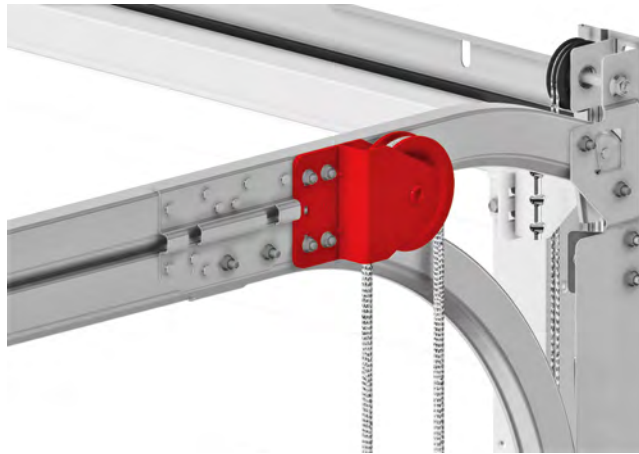
Designed for lowering the door leaf.
Used in garage and industrial doors of all mounting types.

Weight, kg/m 0.04
Measure unit m
Supply rate, m 250

Article	Code
PR0503	403900700



LIFTING UNIT INSTALLATION

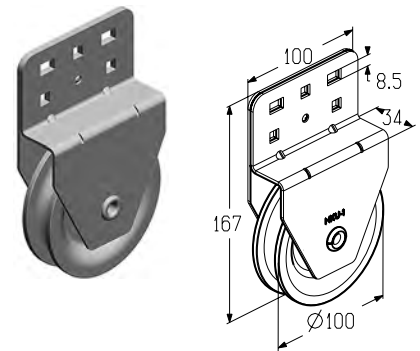


Lifting unit

Designed for lifting/lowering the door leaf.
Used in garage and industrial doors of all mounting types.

Weight, kg/pcs. 0.61
Measure unit pcs.
Supply rate, pcs. 10

Article	Code
HKU001	403900800



Shackle

Designed for fixing the pull rope (PR0503) to the angle profile.
Used in:

- garage doors of high mounting type;
- industrial doors of all mounting types except for low and inclined low.

Material galvanized steel
Weight, kg/pcs. 0.04
Measure unit pcs.
Supply rate, pcs. 100

Article	Code
S0504	403900900

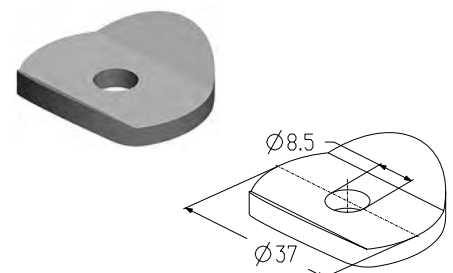


Rope clip

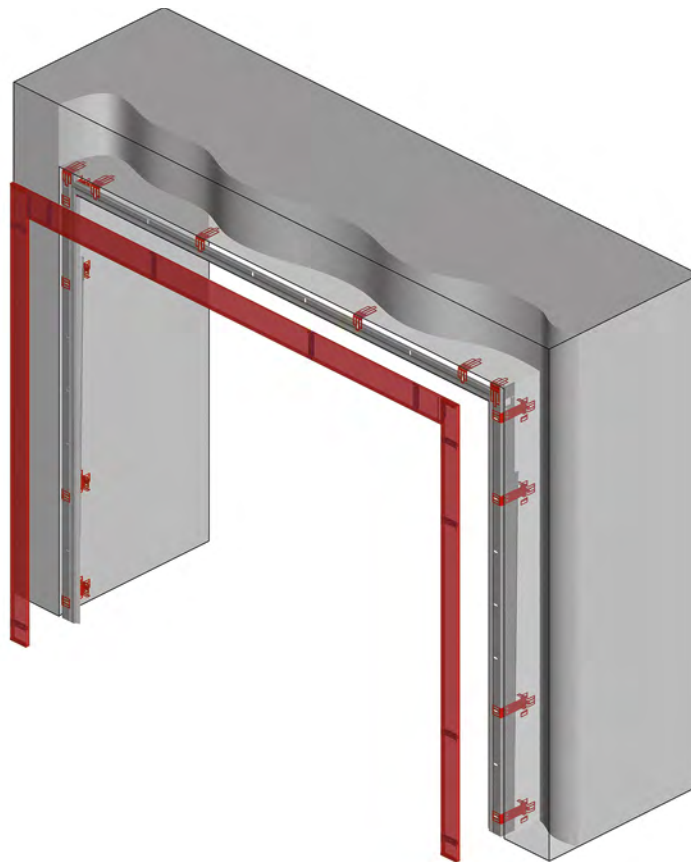
Designed for fixing the pull rope (PR0503) to the bottom bracket (RBI446L/R, RBI446ML/R, RBI-45.100L/R, RBI-45.110L/R, RBI-45.120L/R).
Used in industrial doors of all mounting types.

Material galvanized steel
Weight, kg/pcs. 0.04
Measure unit pcs.
Supply rate, pcs. 100

Article	Code
RC0505	403901000



REVEAL FIT INSTALLATION (MOUNTING IN BETWEEN THE OPENING)



Set of brackets

Designed for fixing the angle profile (PRG32LL/R, PRG02SL/R, PRG02LL/R) and the horizontal profile (PRG05) to the opening. Included in reveal fit sets FWO100 and FWO145. Used in garage doors of low mounting type with torsion springs and in garage doors with tension springs.

The set includes:

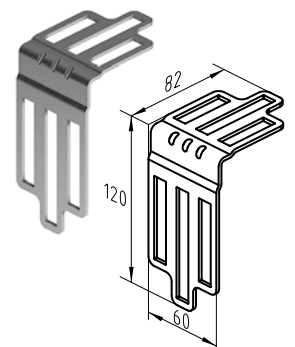
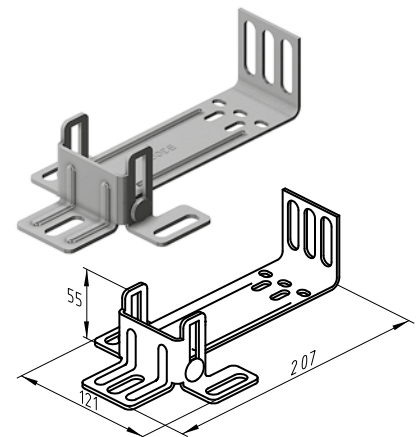
- bracket for fixing the angle profile (8 pcs);
- bracket for fixing the horizontal profile (6 pcs).

Weight, kg/pcs. 4.028

Measure unit pcs.

Supply rate, pcs. 1

Article	Code
FWO100/145B	402950700



REVEAL FIT INSTALLATION (MOUNTING IN BETWEEN THE OPENING)

Set of fixing elements

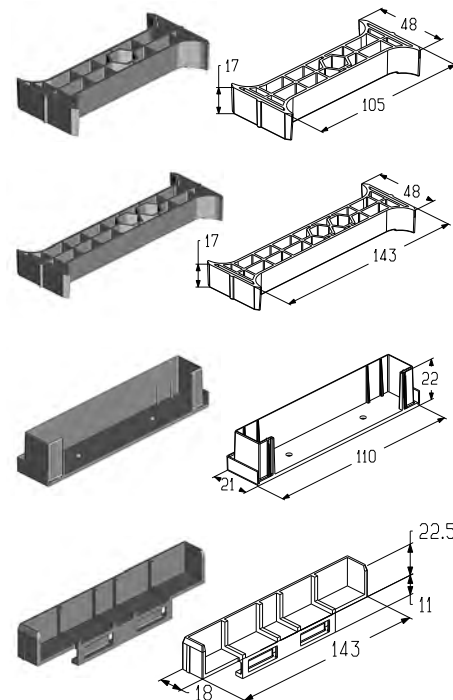
Designed for fixing the set of cover strips (FWO100C) to the angle profile (PRG32LL/R, PRG02SL/R, PRG02LL/R). Included in reveal fit set FWO100. Used in garage doors of low mounting type with torsion springs and in garage doors with tension springs.

The set includes:

- sliding block for fixing side cover strips (8 pcs);
- sliding block for fixing the horizontal profile (4 pcs);
- end cap for cover strips (4 pcs);
- end cap for top cover strip (2 pcs).

Weight, kg/pcs. 0.529
Measure unit pcs.
Supply rate, pcs..... 1

Article	Code
FWO100F	402950800



Set of fixing elements

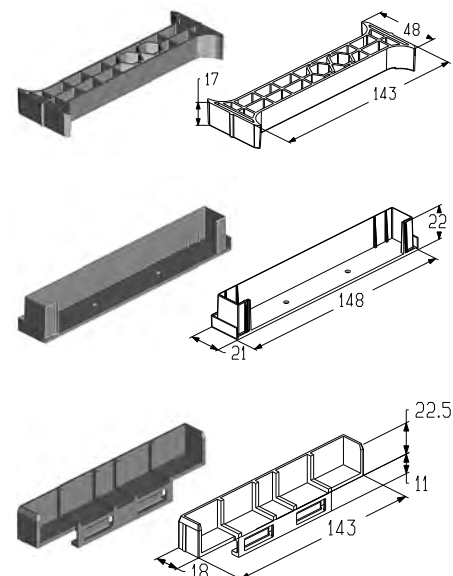
Designed for fixing the set of cover strips (FWO145C) to the angle profile (PRG32LL/R, PRG02SL/R, PRG02LL/R). Included in reveal fit set FWO145. Used in garage doors of low mounting type with torsion springs and in garage doors with tension springs.

The set includes:

- sliding block for fixing top and side cover strips (12 pcs);
- end cap for cover strips (4 pcs);
- end cap for top cover strip (2 pcs).

Weight, kg/pcs. 0.584
Measure unit pcs.
Supply rate, pcs..... 1

Article	Code
FWO145F	402951200



REVEAL FIT INSTALLATION (MOUNTING IN BETWEEN THE OPENING)

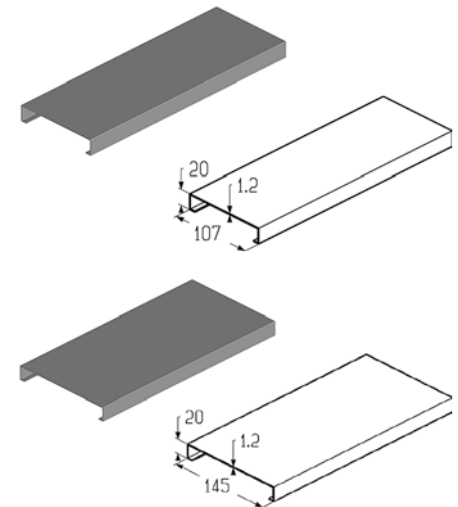
Set of cover strips

Designed for installation together with the angle profile (PRG32LL/R, PRG02SL/R, PRG02LL/R). Included in reveal fit set FWO100. Used in garage doors of low mounting type with torsion springs and in garage doors with tension springs.

The set includes:

- door profile art. PRD33 (side cover strip 2 pcs);
- door profile art. PRD34 (top cover strip 1 pc).

Material aluminium
 Coating polymeric
 Colour RAL 9016, RAL 8017, RAL 8014, ADS703
 Measure unit set
 Supply rate, set 1



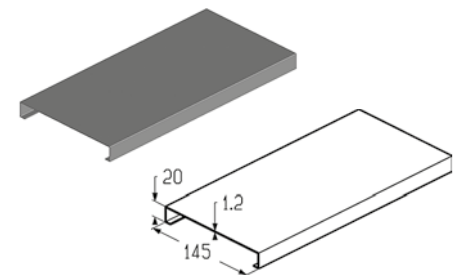
Article	Code
FWO100C	402950900

Set of cover strips

Designed for installation together with the angle profile (PRG32LL/R, PRG02SL/R, PRG02LL/R). Included in reveal fit set FWO145. Used in garage doors of low mounting type and Prestige series.

The set includes: door profile art. PRD34 (top cover strip 1 pc, side cover strip 2 pcs).

Material aluminium
 Coating polymeric
 Colour RAL 9016, RAL 8014, ADS703
 Measure unit set
 Supply rate, set 1

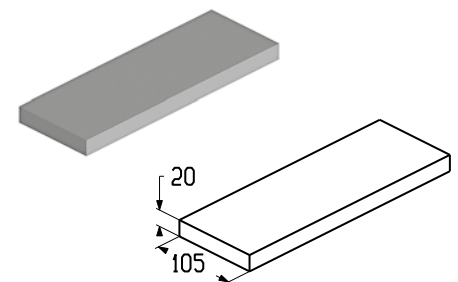


Article	Code
FWO145C	402951300

Insulation

Used for installation together with the set of cover strips (FWO100C—door profile art. PRD33).

Material polyethylene foam
 Weight, kg/m 0.07
 Measure unit m
 Supply rate, m 50

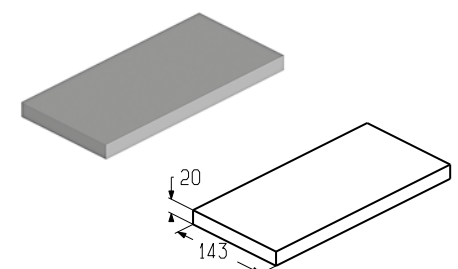


Article	Code
FWO100H	402951700

Insulation

Used for installation together with the set of cover strips (FWO145C).

Material polyethylene foam
 Weight, kg/m 0.1
 Measure unit m
 Supply rate, m 50



Article	Code
FWO145H	402951800

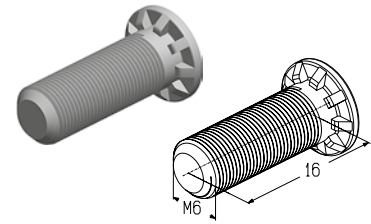
3

Fixings

Bolt M6 × 16

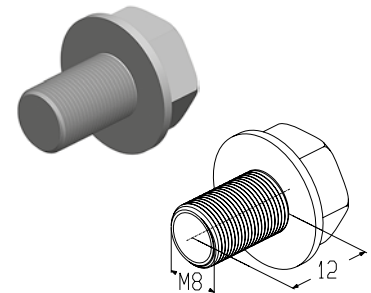
Thread	M6
Length, mm	16
Material	galvanized steel
Weight, kg/pcs.	0.007
Measure unit	pcs.
Supply rate, pcs.	5000

Article	Code
M6×16BP	408320100

**Bolt**

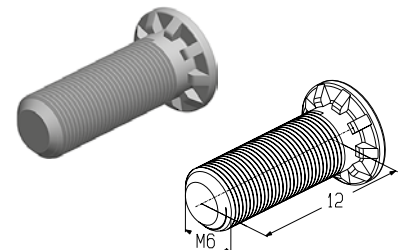
Thread	M8
Length, mm	12
Material	galvanized steel
Weight, kg/pcs.	0.01
Measure unit	pcs.
Supply rate, pcs.	1800

Article	Code
M8×12B	408320300

**Press bolt**

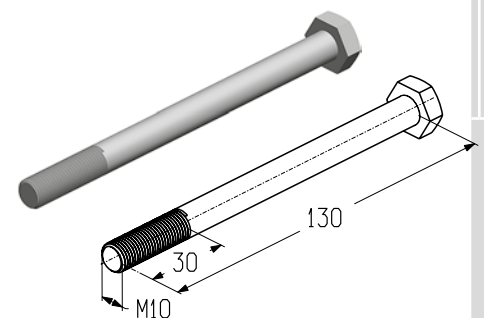
Thread	M6
Length, mm	12
Material	galvanized steel
Weight, kg/pcs.	0.024
Measure unit	pcs.
Supply rate, pcs.	10 000

Article	Code
M6×12BP	408320500

**Bolt M10 × 130**

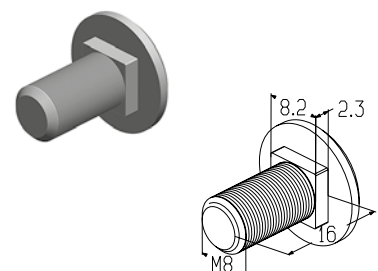
Thread	M10
Length, mm	130
Material	galvanized steel
Weight, kg/pcs.	0.04
Measure unit	pcs.
Supply rate, pcs.	260

Article	Code
M10×130B	408320700

**Bolt M8 × 16**

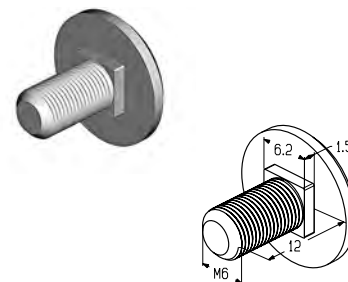
Thread	M8
Length, mm	16
Material	galvanized steel
Weight, kg/pcs.	0.006
Measure unit	pcs.
Supply rate, pcs.	2500

Article	Code	Material
M8×16BKL	408320800	Galvanized steel
M8×16BKL-SS	408310400	Stainless steel



Bolt

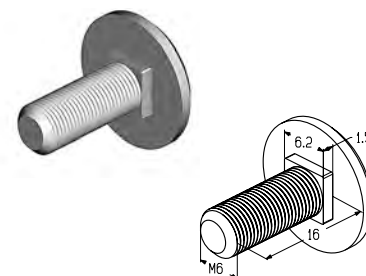
Thread M6
 Length, mm 12
 Weight, kg/pcs. 0.008
 Measure unit pcs.
 Supply rate, pcs. 3000



Article	Code	Material
M6x12BKL	408321000	Galvanized steel
M6x12BKL-SS	408310100	Stainless steel

Bolt

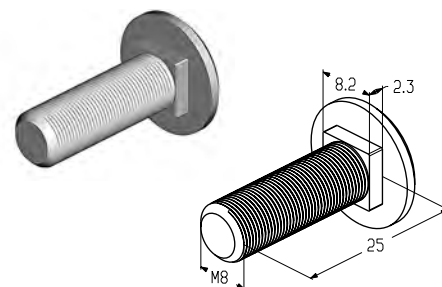
Thread M6
 Length, mm 16
 Weight, kg/pcs. 0.006
 Measure unit pcs.
 Supply rate, pcs. 3500



Article	Code	Material
M6x16BKL	408310200	Galvanized steel
M6x16BKL-SS	408310300	Stainless steel

Bolt

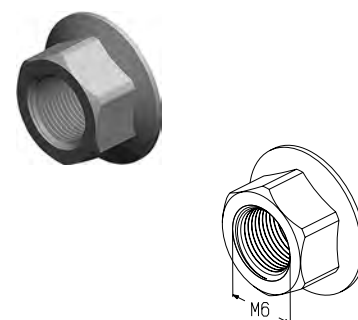
Thread M8
 Length, mm 25
 Weight, kg/pcs. 0.01
 Measure unit pcs.
 Supply rate, pcs. 1500



Article	Code	Material
M8x25BKL	408310500	Galvanized steel
M8x25BKL-SS	408310600	Stainless steel

Nut M6

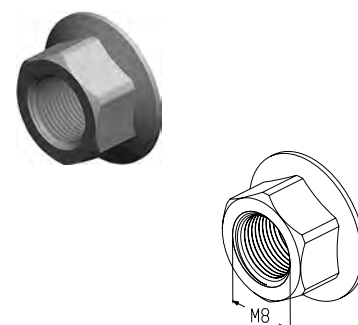
Thread M6
 Weight, kg/pcs. 0.003
 Measure unit pcs.
 Supply rate, pcs. 7000



Article	Code	Material
M6N	408120100	Galvanized steel
M6N-SS	408110000	Stainless steel

Nut M8

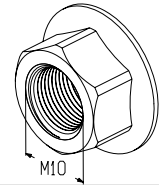
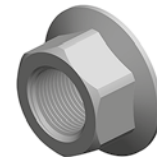
Thread M8
 Weight, kg/pcs. 0.007
 Measure unit pcs.
 Supply rate, pcs. 3500



Article	Code	Material
M8N	408120200	Galvanized steel
M8N-SS	408110100	Stainless steel

Nut M10

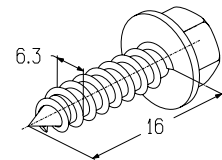
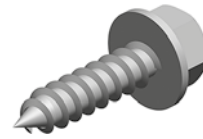
Thread	M10
Material	galvanized steel
Weight, kg/pcs.	0.013
Measure unit	pcs.
Supply rate, pcs.	2000



Article	Code
M10N	408120300

Self-tapping screw 6.3 × 16

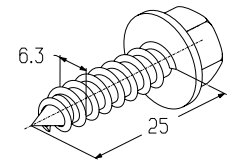
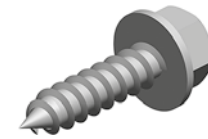
Diameter, mm	6.3
Length, mm	16
Weight, kg/pcs.	0.006
Measure unit	pcs.
Supply rate, pcs.	3500



Article	Code	Material
6.3×16S	408020100	galvanized steel with anticorrosion chemical conversion film and heat-treated ceramic layer
6.3×16S-SS	408010200	Stainless steel

Self-tapping screw 6.3 × 25

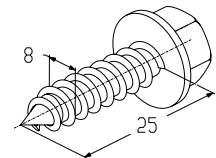
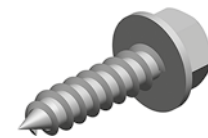
Diameter, mm	6.3
Length, mm	25
Weight, kg/pcs.	0.008
Measure unit	pcs.
Supply rate, pcs.	2000



Article	Code	Material
6.3×25S-SS	408010000	Stainless steel
6.3×25s	408010100	galvanized steel with anticorrosion chemical conversion film and heat-treated ceramic layer

Self-tapping screw

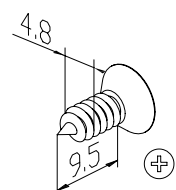
Diameter, mm	8
Length, mm	25
Material	galvanized steel
Weight, kg/pcs.	0.0014
Measure unit	pcs.
Supply rate, pcs.	1000



Article	Code
8×25S	408020200

Self-tapping screw DIN7982

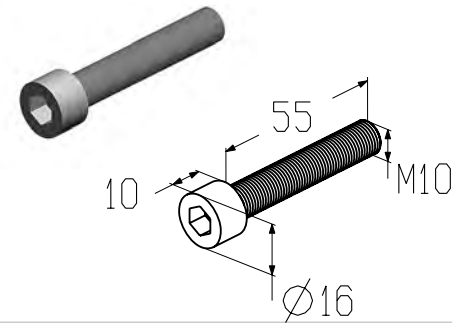
Diameter, mm	4.8
Length, mm	9.5
Material	galvanized steel
Weight, kg/pcs.	0.25
Measure unit	pcs.
Supply rate, pcs.	13000



Article	Code
4.8×9.5SDX	408620000

Screw DIN912

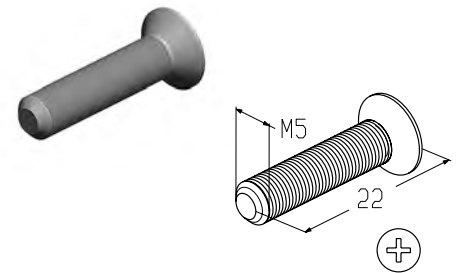
Thread M10
 Length, mm 55
 Material galvanized steel
 Weight, kg/pcs. 0.02
 Measure unit pcs.
 Supply rate, pcs. 1000



Article	Code
M10x55SCOL	408020800

Screw DIN965

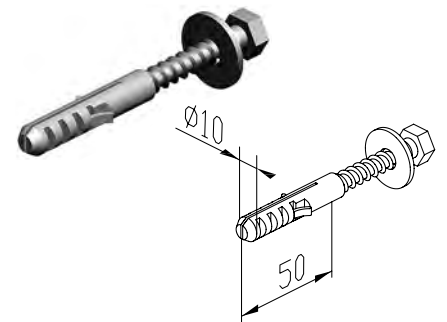
Thread M5
 Length, mm 22
 Material galvanized steel
 Weight, kg/pcs. 0.003
 Measure unit pcs.
 Supply rate, pcs. 800



Article	Code
M5x22SDX	408020900

Wall plug

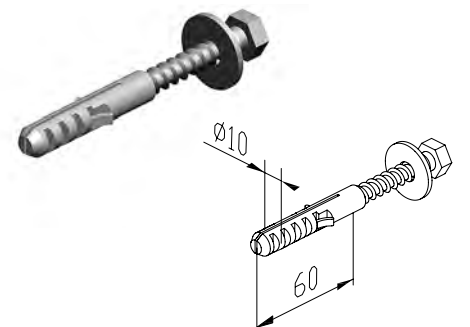
Diameter, mm 10
 Length, mm 50
 Material nylon/galvanized steel
 Weight, kg/pcs. 0.023
 Measure unit pcs.
 Supply rate, pcs. 1000



Article	Code
10x50D	408800100

Wall plug





Diameter, mm 10
 Length, mm 60
 Material nylon/galvanized steel
 Weight, kg/pcs. 0.023
 Measure unit pcs.
 Supply rate, pcs. 1000



Article	Code
SXR 10x60 FUS	408800600

4

Repair kits

		
Alutech Doors Systems LLC 10-508 Selitskogo str, Minsk region, Free Economic Zone "Minsk", Belarus 220075; Tel.: +375 (017) 330-11-00		
Sectional door		
Type:	SD.M.Trend-TN.S	
Order No.:	64827/AS_2081146	
Production No.:	10320412011486	
Door size, mm.:	2285x2000	
Door leaf weight, kg:	53	
Thermal transmittance, W/m ² K:	1.72	
	d, mm	D, mm
	3	33
	3	25
		L, mm
		360
		390
Production date:	29.03.2020	
 0 000012 345678		

REQUIREMENTS FOR REPAIR COMPONENTS ORDER

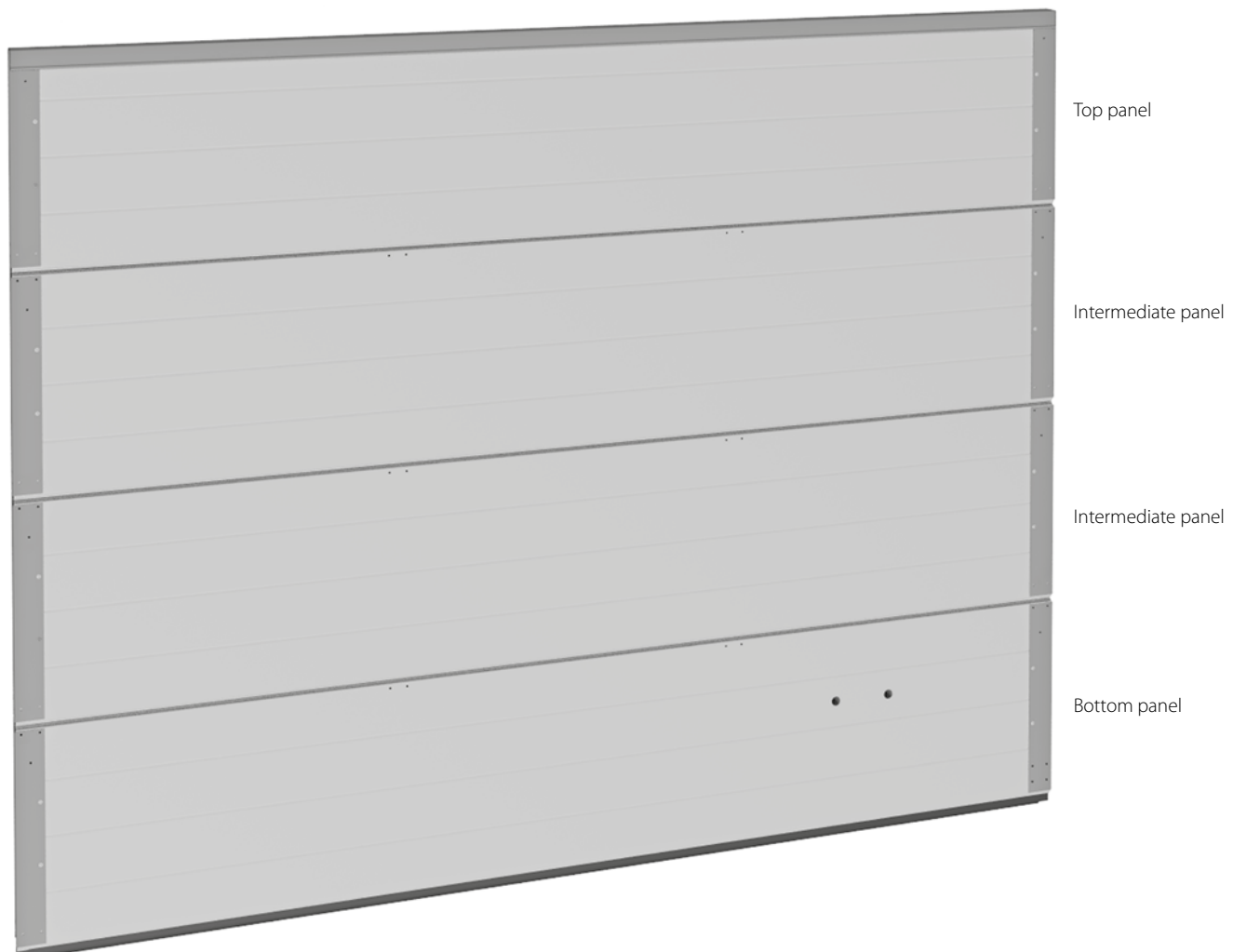
This part of the catalogue contains information about standard repair components for sectional doors. Repair kits are individual products ordered for specific doors. The catalogue contains descriptions for every standard repair kit which can be changed (within the contents given) depending on the doors it is designed for.

WHEN MAKING AN ORDER FOR A REPAIR KIT, IT IS NECESSARY TO SPECIFY THE FOLLOWING:

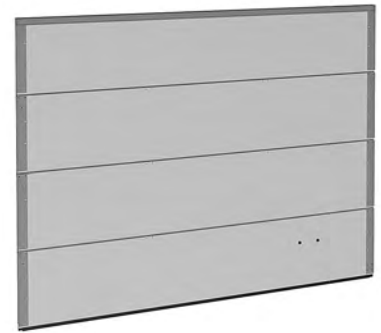
1. Door production number from the label.
2. Description of the necessary repair kit.
3. Repair kit article and name.

DOOR LEAF WITHOUT WICKET

STANDARD DESIGN OF THE DOOR LEAF WITHOUT WICKET



DOOR LEAF WITHOUT WICKET



Door leaf

Door type:

- Prestige series garage doors of all mounting types with torsion springs without wicket;
- Prestige series garage doors with tension springs;
- ProPlus series industrial doors of all mounting types without wicket.

Components: sandwich panels with side caps, reinforcing profile (if the door width is from 5 m), top and bottom end profiles, bottom sealing insert, bottom stoppers.

Measure unit pcs.

Article	Door leaf pattern	Colour*
GLG-3	Microwave, S-ribbed	RAL 9016, 8014, 9006, 5010, 1015, 3004, 6005, 8017, 7016, ADS703**
	L-ribbed	RAL 9016, 8014, 7016, ADS703, ADS704**
	M-ribbed	RAL 9016, 8014, 7016, ADS704**
	S-, M- and L-ribbed	Golden Oak, Dark Oak, Cherry
	Microwave, S-, M- and L-ribbed	Other RAL-colour
GLG-4	Cassette	RAL 9016, 8014**
		Golden Oak, Dark Oak
		Other RAL-colour

Bottom panel

Door type:

- Prestige series garage doors of all mounting types with torsion springs without wicket;
- Prestige series garage doors with tension springs;
- ProPlus series industrial doors of all mounting types without wicket.

Components: bottom sandwich panel with side caps, reinforcing profile (if the door width is from 5 m), top end profile, bottom sealing insert, bottom stoppers.

Measure unit pcs.



Article	Door leaf pattern	Colour*
LPU-27	Microwave, S-ribbed	RAL 9016, 8014, 9006, 5010, 1015, 3004, 6005, 8017, 7016, ADS703**
	L-ribbed	RAL 9016, 8014, 7016, ADS703, ADS704**
	M-ribbed	RAL 9016, 8014, 7016, ADS704**
	S-, M- and L-ribbed	Golden Oak, Dark Oak, Cherry
	Microwave, S-, M- and L-ribbed	Other RAL-colour
LPF-1	Cassette	RAL 9016, 8014**
		Golden Oak, Dark Oak
		Other RAL-colour

* Colours closely correspond to the RAL scale.

** Standard colours.

Intermediate panel

Door type:

- Prestige series garage doors of all mounting types with torsion springs without wicket;
- Prestige series garage doors with tension springs;
- ProPlus series industrial doors of all mounting types without wicket.

Components: intermediate sandwich panels with side caps, reinforcing profile (if the door width is from 5 m).



Measure unit pcs.

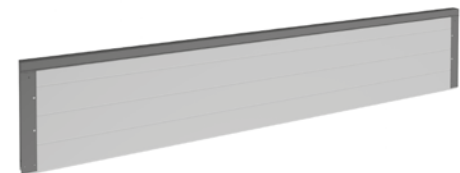
Article	Door leaf pattern	Colour*
LPU-28	Microwave, S-ribbed	RAL 9016, 8014, 9006, 5010, 1015, 3004, 6005, 8017, 7016, ADS703**
	L-ribbed	RAL 9016, 8014, 7016, ADS703, ADS704**
	M-ribbed	RAL 9016, 8014, 7016, ADS704**
	S-, M- and L-ribbed	Golden Oak, Dark Oak, Cherry
	Microwave, S-, M- and L-ribbed	Other RAL-colour
LPF-2	Cassette	RAL 9016, 8014**
		Golden Oak, Dark Oak
		Other RAL-colour

Top panel

Door type:

- Prestige series garage doors of all mounting types with torsion springs without wicket;
- Prestige series garage doors with tension springs;
- ProPlus series industrial doors of all mounting types without wicket.

Components: top sandwich panel with side caps, reinforcing profile (if the door width is from 5 m), top end profile, top sealing insert (Prestige series high mounting type, ProPlus).



Measure unit pcs.

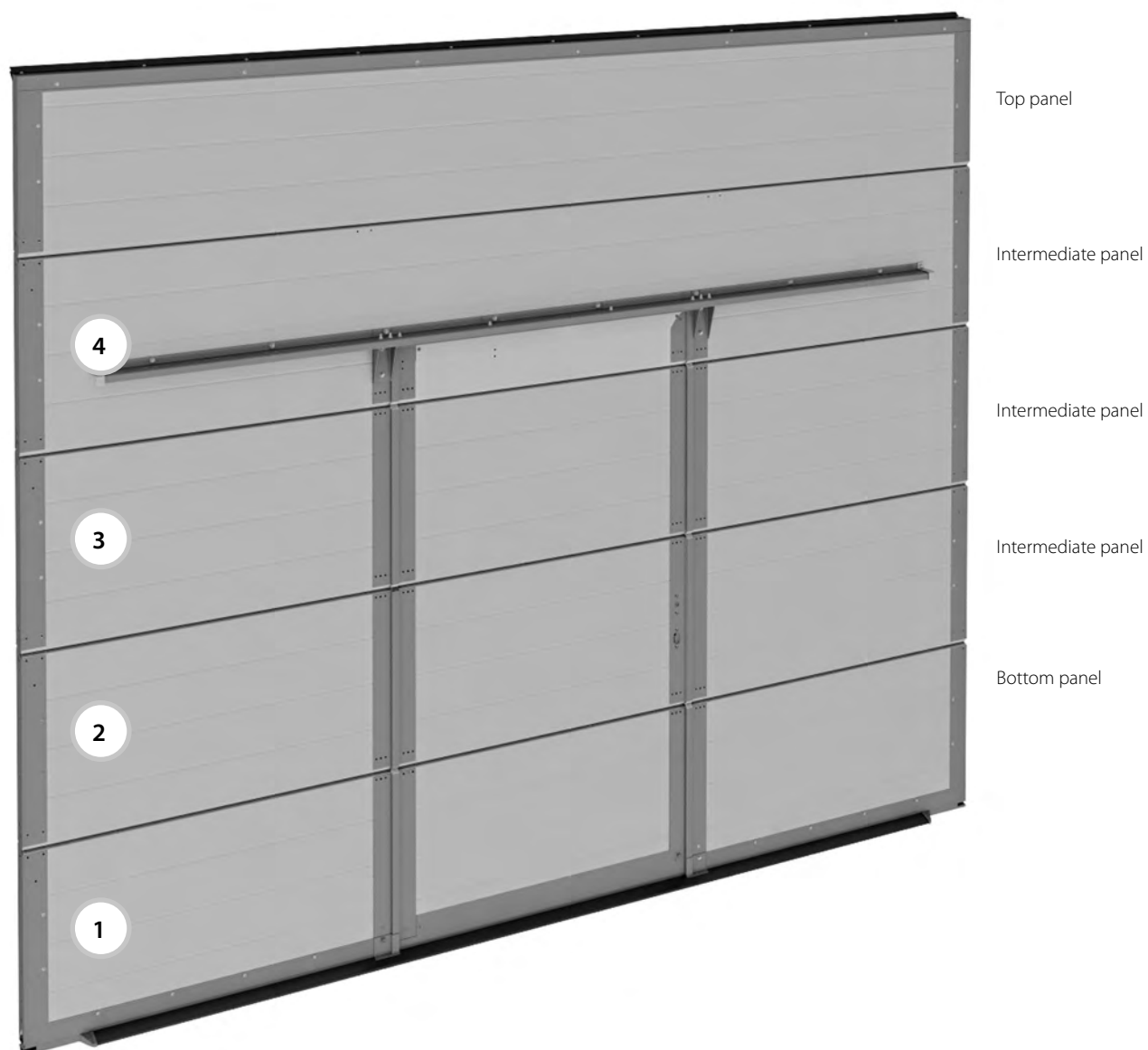
Article	Door leaf pattern	Colour*
LPU-29	Microwave, S-ribbed	RAL 9016, 8014, 9006, 5010, 1015, 3004, 6005, 8017, 7016, ADS703**
	L-ribbed	RAL 9016, 8014, 7016, ADS703, ADS704**
	M-ribbed	RAL 9016, 8014, 7016, ADS704**
	S-, M- and L-ribbed	Golden Oak, Dark Oak, Cherry
	Microwave, S-, M- and L-ribbed	Other RAL-colour
LPF-3	Cassette	RAL 9016, 8014**
		Golden Oak, Dark Oak
		Other RAL-colour

* Colours closely correspond to the RAL scale.

** Standard colours.

DOOR LEAF WITH WICKET

STANDARD DESIGN OF THE DOOR LEAF WITH WICKET
(on the example of right-hinged wicket with flat threshold)



DOOR LEAF WITH WICKET

Door leaf

Door type:

- Prestige series garage doors of all mounting types with torsion springs;
- ProPlus series industrial doors of all mounting types.

Wicket type: with flat threshold 20 mm, with low threshold 100 mm, with standard threshold 145 mm.

Components: sandwich panels with side caps, top and bottom end profiles, bottom sealing insert, set of wicket profiles and wicket lock, wicket reinforcing profiles, bottom stoppers.

Measure unit..... pcs.

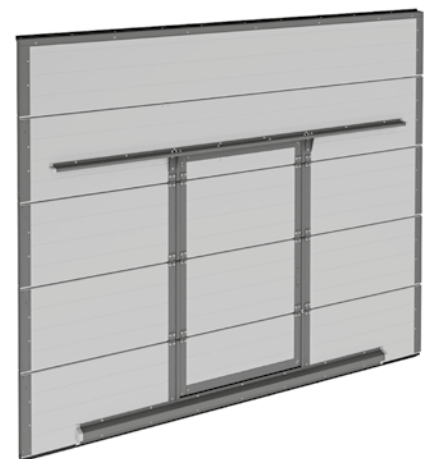
Article	Door leaf pattern	Colour*	Application
GLG-1	Microwave, S-ribbed	RAL 9016, 8014, 9006, 5010, 1015, 3004, 6005, 8017, 7016, ADS703**, ADS704	For doors with right-hinged wicket
	L-ribbed	RAL 9016, 8014, 7016, ADS703, ADS704**	
	S-, M- and L-ribbed	Golden Oak, Dark Oak, Cherry	
	Microwave, S-, M- and L-ribbed	Other RAL-colour	
GLG-2	Microwave, S-ribbed	RAL 9016, 8014, 9006, 5010, 1015, 3004, 6005, 8017, 7016, ADS703**	For doors with left-hinged wicket
	M-ribbed	RAL 9016, 8014, 7016, ADS704**	
	S-, M- and L-ribbed	Golden Oak, Dark Oak, Cherry	
	Microwave, S-, M- and L-ribbed	Other RAL-colour	



Wicket with flat threshold 20 mm



Wicket with low threshold 100 mm



Wicket with standard threshold 145 mm

* Colours closely correspond to the RAL scale.

** Standard colours.

Bottom panel

Door type:

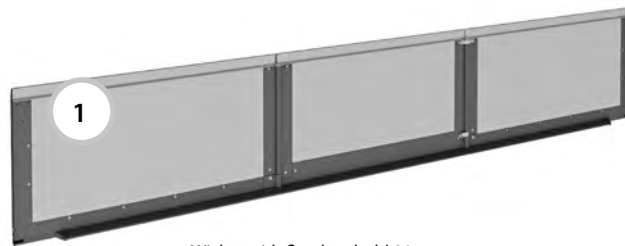
- Prestige series garage doors of all mounting types with torsion springs;
- ProPlus series industrial doors of all mounting types.

Wicket type: with flat threshold 20 mm, with low threshold 100 mm, with standard threshold 145 mm.

Components: bottom sandwich panel with side caps, top end profile, bottom sealing insert, set of wicket profiles for bottom panel, bottom reinforcing wicket profile, bottom stoppers.

Measure unit..... pcs.

Article	Door leaf pattern	Colour*	Application
LPU-1	Microwave, S-ribbed	RAL 9016, 8014, 9006, 5010, 1015, 3004, 6005, 8017, 7016, ADS703**	For doors with right-hinged wicket
	L-ribbed	RAL 9016, 8014, 7016, ADS703, ADS704**	
	S-, M- and L-ribbed	Golden Oak, Dark Oak, Cherry	
	Microwave, S-, M- and L-ribbed	Other RAL-colour	
LPU-15	Microwave, S-ribbed	RAL 9016, 8014, 9006, 5010, 1015, 3004, 6005, 8017, 7016, ADS703**	For doors with left-hinged wicket
	M-ribbed	RAL 9016, 8014, 7016, ADS704**	
	S-, M- and L-ribbed	Golden Oak, Dark Oak, Cherry	
	Microwave, S-, M- and L-ribbed	Other RAL-colour	



Wicket with flat threshold 20 mm



Wicket with low threshold 100 mm



Wicket with standard threshold 145 mm

* Colours closely correspond to the RAL scale.
** Standard colours.

Bottom panel

Door type:

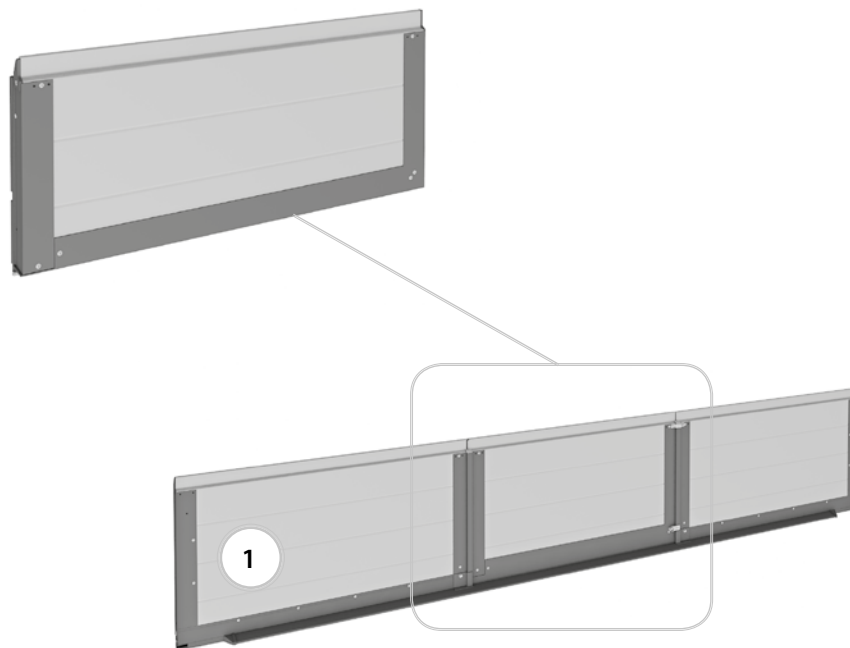
- Prestige series garage doors of all mounting types with torsion springs;
- ProPlus series industrial doors of all mounting types.

Wicket type: with flat threshold 20 mm, with low threshold 100 mm, with standard threshold 145 mm.

Components: bottom wicket panel with installed wicket profiles, bottom reinforcing profile.

Measure unit pcs.

Article	Door leaf pattern	Colour*	Application
LPU-3	Microwave, S-ribbed	RAL 9016, 8014, 9006, 5010, 1015, 3004, 6005, 8017, 7016, ADS703**	For doors with right-hinged wicket
	L-, M- and L-ribbed	RAL 9016, 8014, 7016, ADS703, ADS704**	
	S-ribbed	Golden Oak, Dark Oak, Cherry	
	Microwave, S-, M- and L-ribbed	Other RAL-colour	
LPU-17	Microwave, S-ribbed	RAL 9016, 8014, 9006, 5010, 1015, 3004, 6005, 8017, 7016, ADS703**	For doors with left-hinged wicket
	M-ribbed	RAL 9016, 8014, 7016, ADS704**	
	S-, M- and L-ribbed	Golden Oak, Dark Oak, Cherry	
	Microwave, S-, M- and L-ribbed	Other RAL-colour	



* Colours closely correspond to the RAL scale.

** Standard colours.

Bottom panel

Door type:

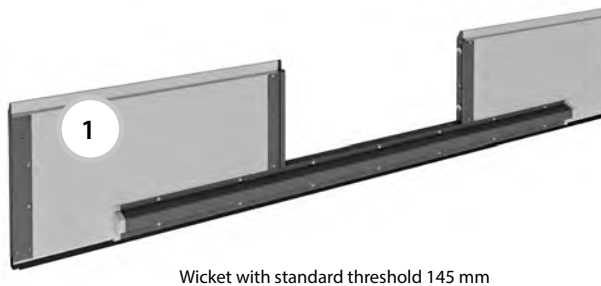
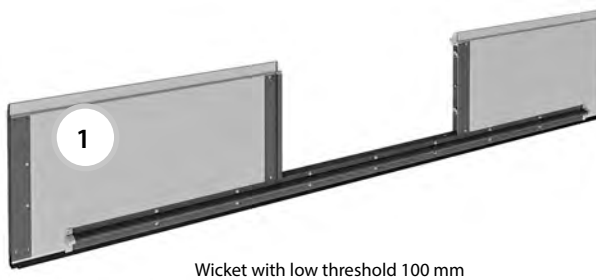
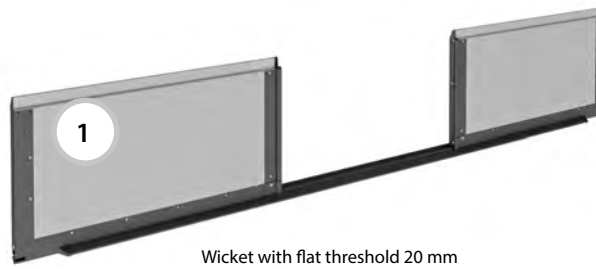
- Prestige series garage doors of all mounting types with torsion springs;
- ProPlus series industrial doors of all mounting types.

Wicket type: with flat threshold 20 mm, with low threshold 100 mm, with standard threshold 145 mm.

Components: bottom wicket panel with installed wicket profiles, bottom reinforcing profile.

Measure unit..... pcs.

Article	Door leaf pattern	Colour*	Application
LPU-30	Microwave, S-ribbed	RAL 9016, 8014, 9006, 5010, 1015, 3004, 6005, 8017, 7016, ADS703**	For doors with right-hinged wicket
	L-ribbed	RAL 9016, 8014, 7016, ADS703, ADS704**	
	S-, M- and L-ribbed	Golden Oak, Dark Oak, Cherry	
	Microwave, S-, M- and L-ribbed	Other RAL-colour	
LPU-40	Microwave, S-ribbed	RAL 9016, 8014, 9006, 5010, 1015, 3004, 6005, 8017, 7016, ADS703**	For doors with left-hinged wicket
	M-ribbed	RAL 9016, 8014, 7016, ADS704**	
	S-, M- and L-ribbed	Golden Oak, Dark Oak, Cherry	
	Microwave, S-, M- and L-ribbed	Other RAL-colour	



* Colours closely correspond to the RAL scale.
** Standard colours.

Intermediate panel

Door type:

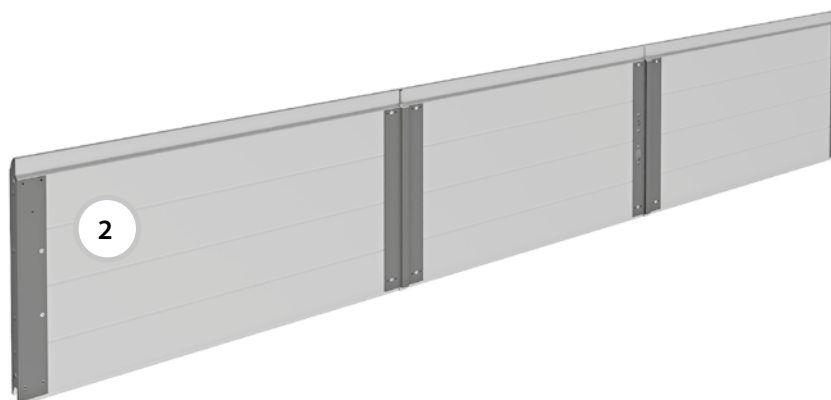
- Prestige series garage doors of all mounting types with torsion springs;
- ProPlus series industrial doors of all mounting types.

Wicket type: with flat threshold 20 mm, with low threshold 100 mm, with standard threshold 145 mm.

Components: intermediate wicket panel with installed wicket profiles, wicket lock.

Measure unit pcs.

Article	Door leaf pattern	Colour*	Application
LPU-31	Microwave, S-ribbed	RAL 9016, 8014, 9006, 5010, 1015, 3004, 6005, 8017, 7016, ADS703**	For doors with right-hinged wicket
	L-ribbed	RAL 9016, 8014, 7016, ADS703, ADS704**	
	S-, M- and L-ribbed	Golden Oak, Dark Oak, Cherry	
	Microwave, S-, M- and L-ribbed	Other RAL-colour	
LPU-41	Microwave, S-ribbed	RAL 9016, 8014, 9006, 5010, 1015, 3004, 6005, 8017, 7016, ADS703**	For doors with left-hinged wicket
	M-ribbed	RAL 9016, 8014, 7016, ADS704**	
	S-, M- and L-ribbed	Golden Oak, Dark Oak, Cherry	
	Microwave, S-, M- and L-ribbed	Other RAL-colour	



* Colours closely correspond to the RAL scale.

** Standard colours.

Intermediate panel

Door type:

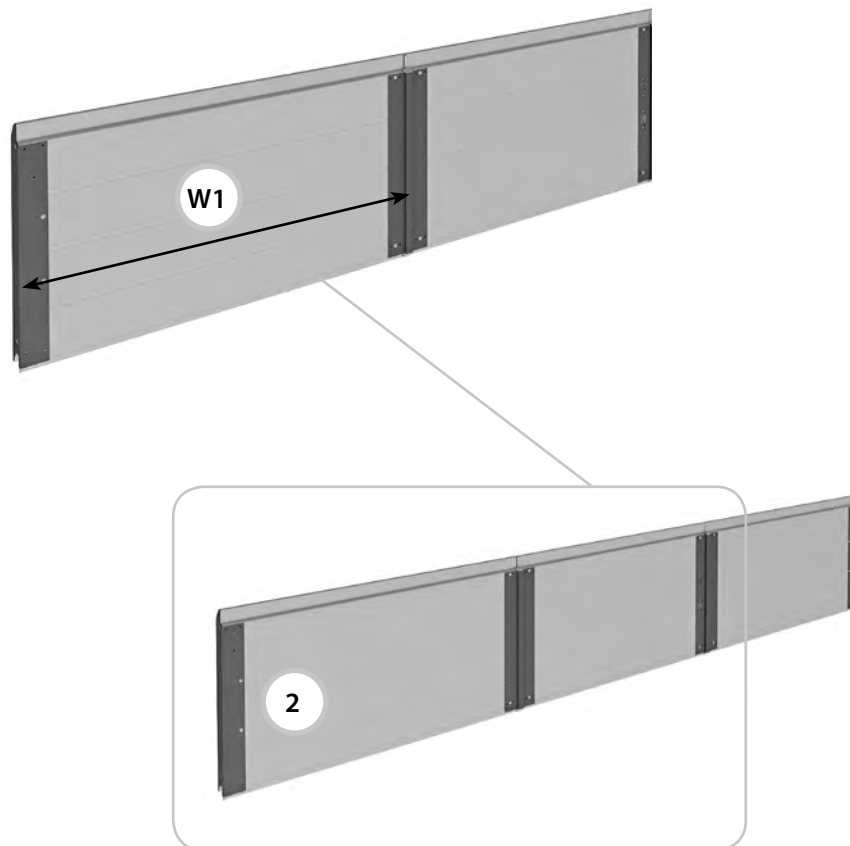
- Prestige series garage doors of all mounting types with torsion springs;
- ProPlus series industrial doors of all mounting types.

Wicket type: with flat threshold 20 mm, with low threshold 100 mm, with standard threshold 145 mm.

Components: two intermediate wicket panels with installed wicket profiles, wicket lock.

Measure unit pcs.

Article	Door leaf pattern	Colour*	Application
LPU-5	Microwave, S-ribbed	RAL 9016, 8014, 9006, 5010, 1015, 3004, 6005, 8017, 7016, ADS703**	For doors with right-hinged wicket
	L-, M- and L-ribbed	RAL 9016, 8014, 7016, ADS703, ADS704**	
	S-ribbed	Golden Oak, Dark Oak, Cherry	
	Microwave, S-, M- and L-ribbed	Other RAL-colour	
LPU-19	Microwave, S-ribbed	RAL 9016, 8014, 9006, 5010, 1015, 3004, 6005, 8017, 7016, ADS703**	For doors with left-hinged wicket
	M-ribbed	RAL 9016, 8014, 7016, ADS704**	
	S-, M- and L-ribbed	Golden Oak, Dark Oak, Cherry	
	Microwave, S-, M- and L-ribbed	Other RAL-colour	



* Colours closely correspond to the RAL scale.
** Standard colours.

Intermediate panel

Door type:

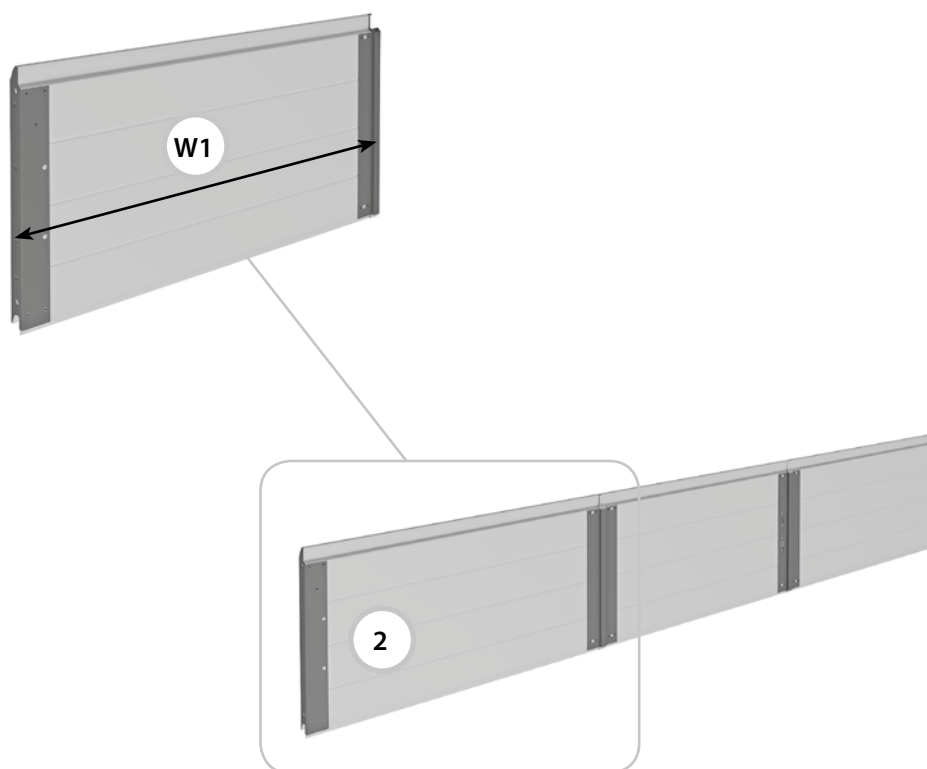
- Prestige series garage doors of all mounting types with torsion springs;
- ProPlus series industrial doors of all mounting types.

Wicket type: with flat threshold 20 mm, with low threshold 100 mm, with standard threshold 145 mm.

Components: intermediate wicket panel with installed wicket profiles.

Measure unit pcs.

Article	Door leaf pattern	Colour*	Application
LPU-6	Microwave, S-ribbed	RAL 9016, 8014, 9006, 5010, 1015, 3004, 6005, 8017, 7016, ADS703**	For doors with right-hinged wicket
	L-ribbed	RAL 9016, 8014, 7016, ADS703, ADS704**	
	S-, M- and L-ribbed	Golden Oak, Dark Oak, Cherry	
	Microwave, S-, M- and L-ribbed	Other RAL-colour	
LPU-20	Microwave, S-ribbed	RAL 9016, 8014, 9006, 5010, 1015, 3004, 6005, 8017, 7016, ADS703**	For doors with left-hinged wicket
	M-ribbed	RAL 9016, 8014, 7016, ADS704**	
	S-, M- and L-ribbed	Golden Oak, Dark Oak, Cherry	
	Microwave, S-, M- and L-ribbed	Other RAL-colour	



* Colours closely correspond to the RAL scale.

** Standard colours.

Intermediate panel

Door type:

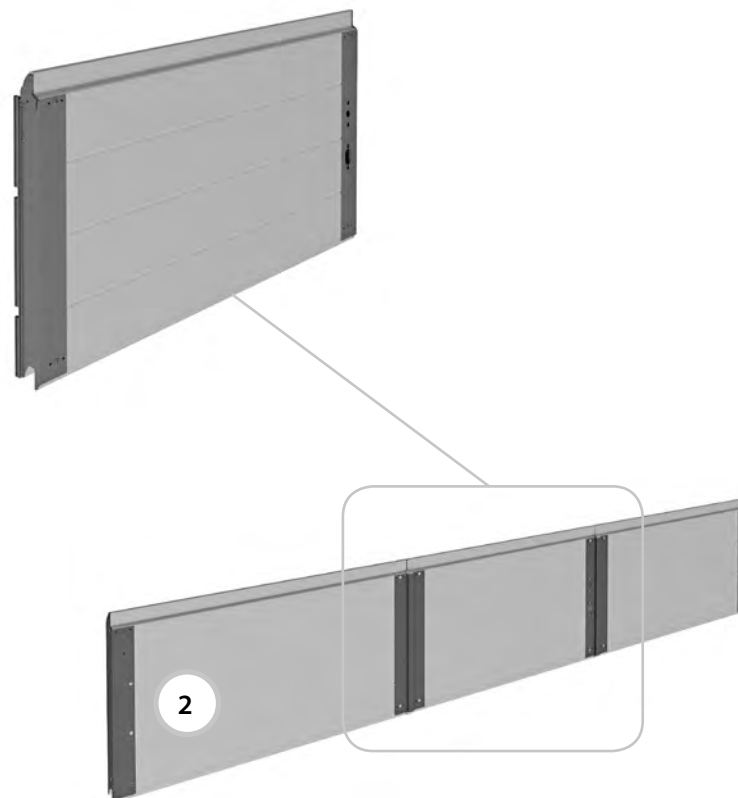
- Prestige series garage doors of all mounting types with torsion springs;
- ProPlus series industrial doors of all mounting types.

Wicket type: with flat threshold 20 mm, with low threshold 100 mm, with standard threshold 145 mm.

Components: intermediate wicket panel with installed wicket profiles, wicket lock.

Measure unit pcs.

Article	Door leaf pattern	Colour*	Application
LPU-7	Microwave, S-ribbed	RAL 9016, 8014, 9006, 5010, 1015, 3004, 6005, 8017, 7016, ADS703**	For doors with right-hinged wicket
	L-ribbed	RAL 9016, 8014, 7016, ADS703, ADS704**	
	S-, M- and L-ribbed	Golden Oak, Dark Oak, Cherry	
	Microwave, S-, M- and L-ribbed	Other RAL-colour	
LPU-21	Microwave, S-ribbed	RAL 9016, 8014, 9006, 5010, 1015, 3004, 6005, 8017, 7016, ADS703**	For doors with left-hinged wicket
	M-ribbed	RAL 9016, 8014, 7016, ADS704**	
	S-, M- and L-ribbed	Golden Oak, Dark Oak, Cherry	
	Microwave, S-, M- and L-ribbed	Other RAL-colour	



* Colours closely correspond to the RAL scale.

** Standard colours.

Intermediate panel

Door type:

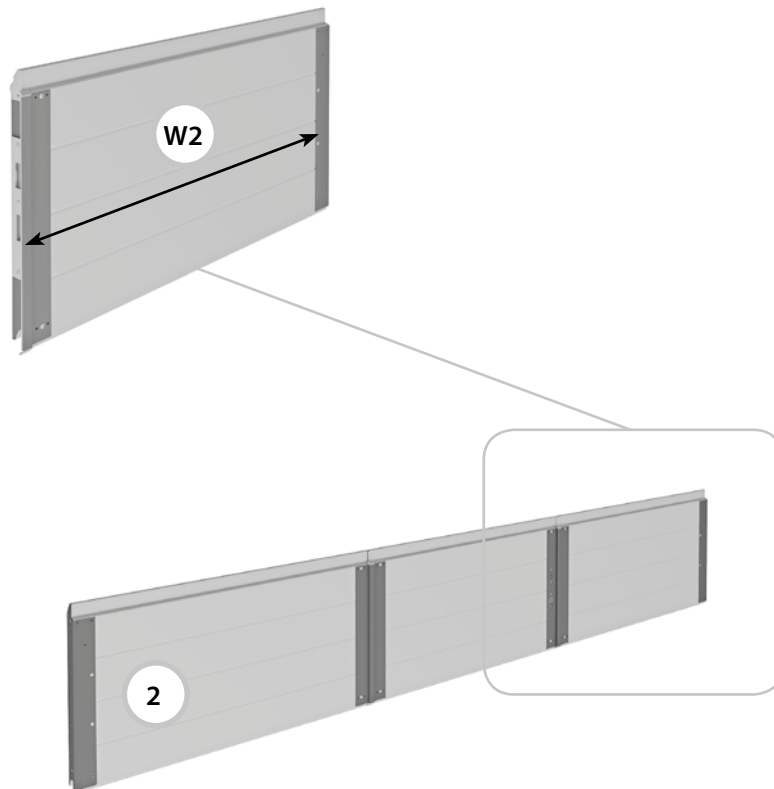
- Prestige series garage doors of all mounting types with torsion springs;
- ProPlus series industrial doors of all mounting types.

Wicket type: with flat threshold 20 mm, with low threshold 100 mm, with standard threshold 145 mm.

Components: intermediate wicket panel with installed wicket profiles.

Measure unit pcs.

Article	Door leaf pattern	Colour*	Application
LPU-8	Microwave, S-ribbed	RAL 9016, 8014, 9006, 5010, 1015, 3004, 6005, 8017, 7016, ADS703**	For doors with right-hinged wicket
	L-ribbed	RAL 9016, 8014, 7016, ADS703, ADS704**	
	S-, M- and L-ribbed	Golden Oak, Dark Oak, Cherry	
	Microwave, S-, M- and L-ribbed	Other RAL-colour	
LPU-22	Microwave, S-ribbed	RAL 9016, 8014, 9006, 5010, 1015, 3004, 6005, 8017, 7016, ADS703**	For doors with left-hinged wicket
	M-ribbed	RAL 9016, 8014, 7016, ADS704**	
	S-, M- and L-ribbed	Golden Oak, Dark Oak, Cherry	
	Microwave, S-, M- and L-ribbed	Other RAL-colour	



* Colours closely correspond to the RAL scale.
** Standard colours.

Intermediate panel

Door type:

- Prestige series garage doors of all mounting types with torsion springs;
- ProPlus series industrial doors of all mounting types.

Wicket type: with flat threshold 20 mm, with low threshold 100 mm, with standard threshold 145 mm.

Components: intermediate wicket panel with installed wicket profiles.

Measure unit pcs.

Article	Door leaf pattern	Colour*	Application
LPU-32	Microwave, S-ribbed	RAL 9016, 8014, 9006, 5010, 1015, 3004, 6005, 8017, 7016, ADS703**	For doors with right-hinged wicket
	L-ribbed	RAL 9016, 8014, 7016, ADS703, ADS704**	
	S-, M- and L-ribbed	Golden Oak, Dark Oak, Cherry	
	Microwave, S-, M- and L-ribbed	Other RAL-colour	
LPU-42	Microwave, S-ribbed	RAL 9016, 8014, 9006, 5010, 1015, 3004, 6005, 8017, 7016, ADS703**	For doors with left-hinged wicket
	M-ribbed	RAL 9016, 8014, 7016, ADS704**	
	S-, M- and L-ribbed	Golden Oak, Dark Oak, Cherry	
	Microwave, S-, M- and L-ribbed	Other RAL-colour	



* Colours closely correspond to the RAL scale.

** Standard colours.

Intermediate panel

Door type:

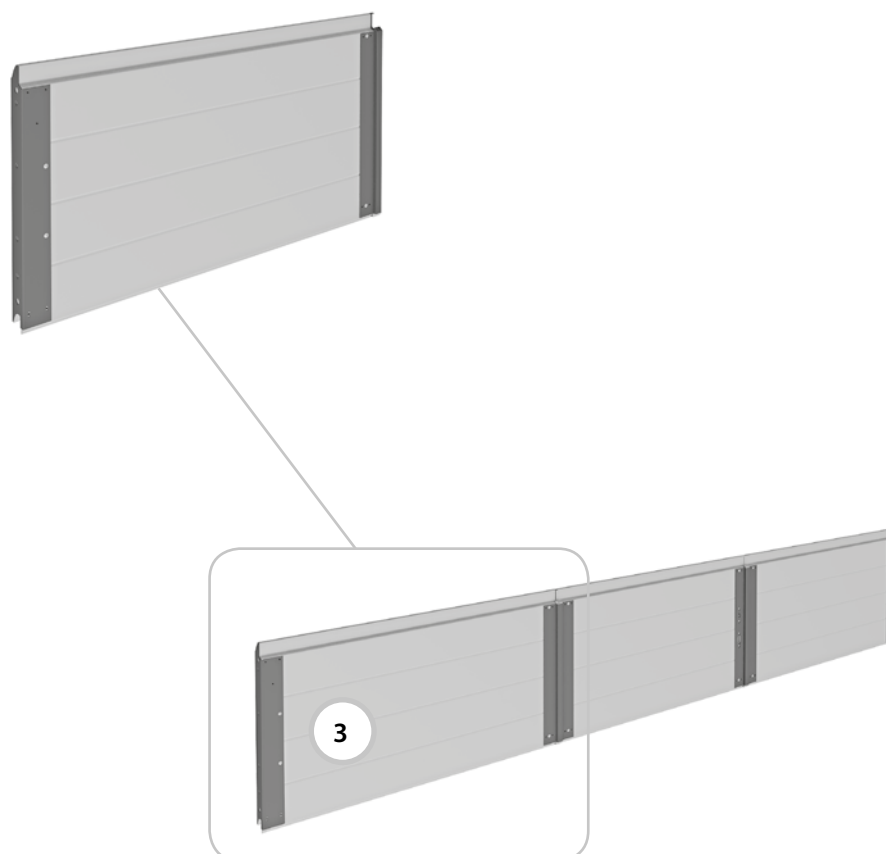
- Prestige series garage doors of all mounting types with torsion springs;
- ProPlus series industrial doors of all mounting types.

Wicket type: with flat threshold 20 mm, with low threshold 100 mm, with standard threshold 145 mm.

Components: intermediate wicket panel with installed wicket profiles.

Measure unit..... pcs.

Article	Door leaf pattern	Colour*	Application
LPU-34	Microwave, S-ribbed	RAL 9016, 8014, 9006, 5010, 1015, 3004, 6005, 8017, 7016, ADS703**	For doors with right-hinged wicket
	L-ribbed	RAL 9016, 8014, 7016, ADS703, ADS704**	
	S-, M- and L-ribbed	Golden Oak, Dark Oak, Cherry	
	Microwave, S-, M- and L-ribbed	Other RAL-colour	
LPU-44	Microwave, S-ribbed	RAL 9016, 8014, 9006, 5010, 1015, 3004, 6005, 8017, 7016, ADS703**	For doors with left-hinged wicket
	M-ribbed	RAL 9016, 8014, 7016, ADS704**	
	S-, M- and L-ribbed	Golden Oak, Dark Oak, Cherry	
	Microwave, S-, M- and L-ribbed	Other RAL-colour	



* Colours closely correspond to the RAL scale.

** Standard colours.

Intermediate panel

Door type:

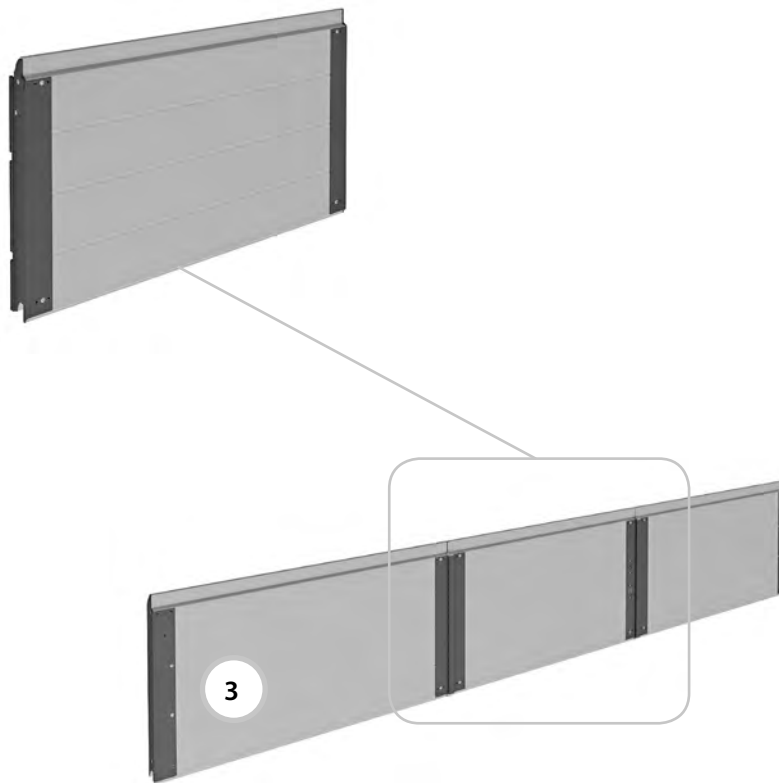
- Prestige series garage doors of all mounting types with torsion springs;
- ProPlus series industrial doors of all mounting types.

Wicket type: with flat threshold 20 mm, with low threshold 100 mm, with standard threshold 145 mm.

Components: intermediate wicket panel with installed wicket profiles.

Measure unit pcs.

Article	Door leaf pattern	Colour*	Application
LPU-35	Microwave, S-ribbed	RAL 9016, 8014, 9006, 5010, 1015, 3004, 6005, 8017, 7016, ADS703**	For doors with right-hinged wicket
	L-ribbed	RAL 9016, 8014, 7016, ADS703, ADS704**	
	S-, M- and L-ribbed	Golden Oak, Dark Oak, Cherry	
	Microwave, S-, M- and L-ribbed	Other RAL-colour	
LPU-45	Microwave, S-ribbed	RAL 9016, 8014, 9006, 5010, 1015, 3004, 6005, 8017, 7016, ADS703**	For doors with left-hinged wicket
	M-ribbed	RAL 9016, 8014, 7016, ADS704**	
	S-, M- and L-ribbed	Golden Oak, Dark Oak, Cherry	
	Microwave, S-, M- and L-ribbed	Other RAL-colour	



* Colours closely correspond to the RAL scale.

** Standard colours.

Intermediate panel

Door type:

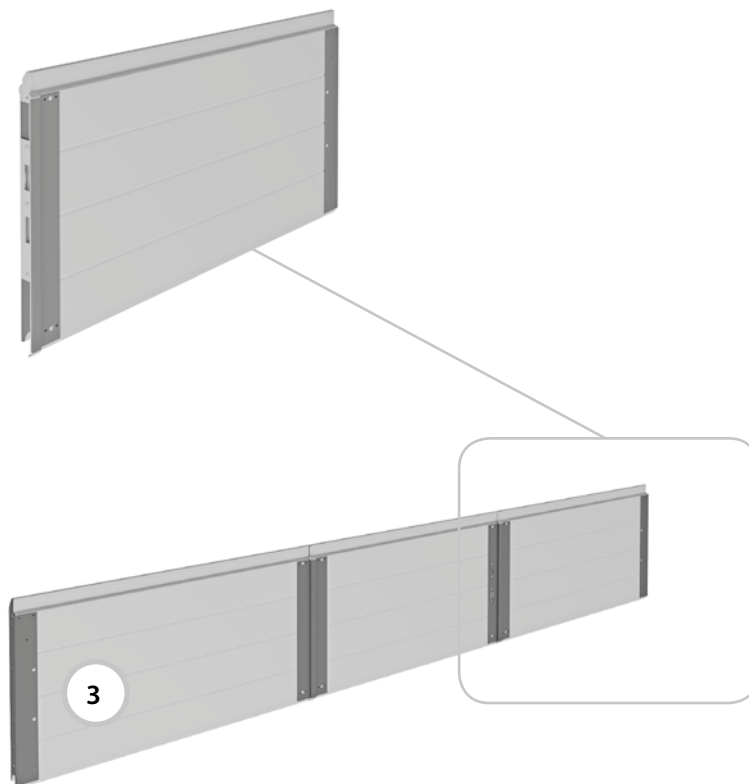
- Prestige series garage doors of all mounting types with torsion springs;
- ProPlus series industrial doors of all mounting types.

Wicket type: with flat threshold 20 mm, with low threshold 100 mm, with standard threshold 145 mm.

Components: intermediate wicket panel with installed wicket profiles.

Measure unit pcs.

Article	Door leaf pattern	Colour*	Application
LPU-36	Microwave, S-ribbed	RAL 9016, 8014, 9006, 5010, 1015, 3004, 6005, 8017, 7016, ADS703**	For doors with right-hinged wicket
	L-ribbed	RAL 9016, 8014, 7016, ADS703, ADS704**	
	S-, M- and L-ribbed	Golden Oak, Dark Oak, Cherry	
	Microwave, S-, M- and L-ribbed	Other RAL-colour	
LPU-46	Microwave, S-ribbed	RAL 9016, 8014, 9006, 5010, 1015, 3004, 6005, 8017, 7016, ADS703**	For doors with left-hinged wicket
	M-ribbed	RAL 9016, 8014, 7016, ADS704**	
	S-, M- and L-ribbed	Golden Oak, Dark Oak, Cherry	
	Microwave, S-, M- and L-ribbed	Other RAL-colour	



* Colours closely correspond to the RAL scale.

** Standard colours.

Intermediate panel

Door type:

- Prestige series garage doors of all mounting types with torsion springs;
- ProPlus series industrial doors of all mounting types.

Wicket type: with flat threshold 20 mm, with low threshold 100 mm, with standard threshold 145 mm.

Components: top wicket panel with installed wicket profiles, top reinforcing profile.

Measure unit pcs.

Article	Door leaf pattern	Colour*	Application
LPU-37	Microwave, S-ribbed	RAL 9016, 8014, 9006, 5010, 1015, 3004, 6005, 8017, 7016, ADS703**	For doors with right-hinged wicket
	L-ribbed	RAL 9016, 8014, 7016, ADS703, ADS704**	
	S-, M- and L-ribbed	Golden Oak, Dark Oak, Cherry	
	Microwave, S-, M- and L-ribbed	Other RAL-colour	
LPU-47	Microwave, S-ribbed	RAL 9016, 8014, 9006, 5010, 1015, 3004, 6005, 8017, 7016, ADS703**	For doors with left-hinged wicket
	M-ribbed	RAL 9016, 8014, 7016, ADS704**	
	S-, M- and L-ribbed	Golden Oak, Dark Oak, Cherry	
	Microwave, S-, M- and L-ribbed	Other RAL-colour	



* Colours closely correspond to the RAL scale.

** Standard colours.

Intermediate panel

Door type:

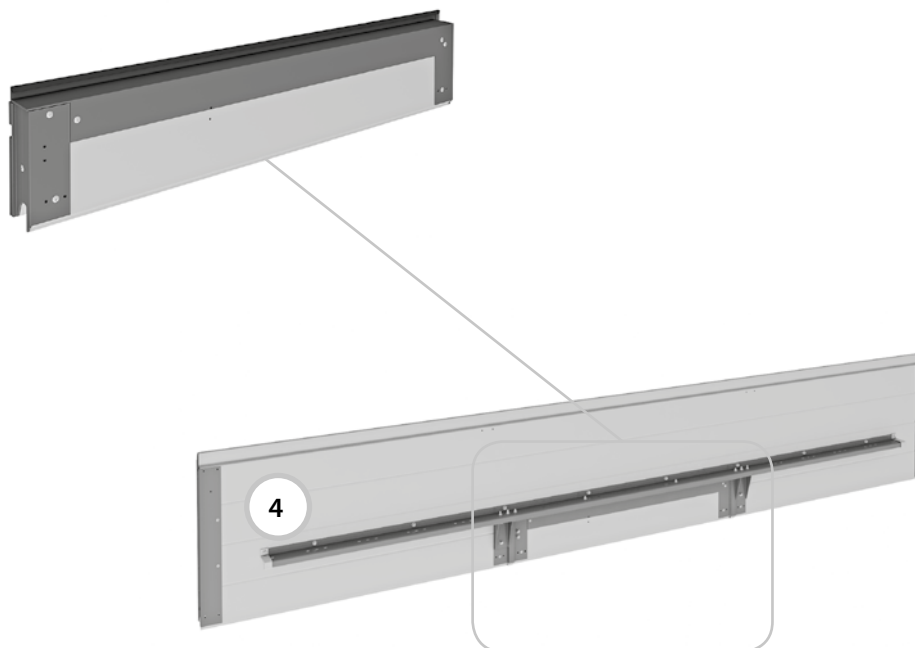
- Prestige series garage doors of all mounting types with torsion springs;
- ProPlus series industrial doors of all mounting types.

Wicket type: with flat threshold 20 mm, with low threshold 100 mm, with standard threshold 145 mm.

Components: top wicket panel with installed wicket profiles.

Measure unit pcs.

Article	Door leaf pattern	Colour*	Application
LPU-38	Microwave, S-ribbed	RAL 9016, 8014, 9006, 5010, 1015, 3004, 6005, 8017, 7016, ADS703**	For doors with right-hinged wicket
	L-ribbed	RAL 9016, 8014, 7016, ADS703, ADS704**	
	S-, M- and L-ribbed	Golden Oak, Dark Oak, Cherry	
	Microwave, S-, M- and L-ribbed	Other RAL-colour	
LPU-48	Microwave, S-ribbed	RAL 9016, 8014, 9006, 5010, 1015, 3004, 6005, 8017, 7016, ADS703**	For doors with left-hinged wicket
	M-ribbed	RAL 9016, 8014, 7016, ADS704**	
	S-, M- and L-ribbed	Golden Oak, Dark Oak, Cherry	
	Microwave, S-, M- and L-ribbed	Other RAL-colour	



* Colours closely correspond to the RAL scale.

** Standard colours.

Intermediate panel

Door type:

- Prestige series garage doors of all mounting types with torsion springs;
- ProPlus series industrial doors of all mounting types.

Wicket type: with flat threshold 20 mm, with low threshold 100 mm, with standard threshold 145 mm.

Components: top wicket panel with installed wicket profiles, top reinforcing profile.

Measure unit pcs.

Article	Door leaf pattern	Colour*	Application
LPU-39	Microwave, S-ribbed	RAL 9016, 8014, 9006, 5010, 1015, 3004, 6005, 8017, 7016, ADS703**	For doors with right-hinged wicket
	L-ribbed	RAL 9016, 8014, 7016, ADS703, ADS704**	
	S-, M- and L-ribbed	Golden Oak, Dark Oak, Cherry	
	Microwave, S-, M- and L-ribbed	Other RAL-colour	
LPU-49	Microwave, S-ribbed	RAL 9016, 8014, 9006, 5010, 1015, 3004, 6005, 8017, 7016, ADS703**	For doors with left-hinged wicket
	M-ribbed	RAL 9016, 8014, 7016, ADS704**	
	S-, M- and L-ribbed	Golden Oak, Dark Oak, Cherry	
	Microwave, S-, M- and L-ribbed	Other RAL-colour	

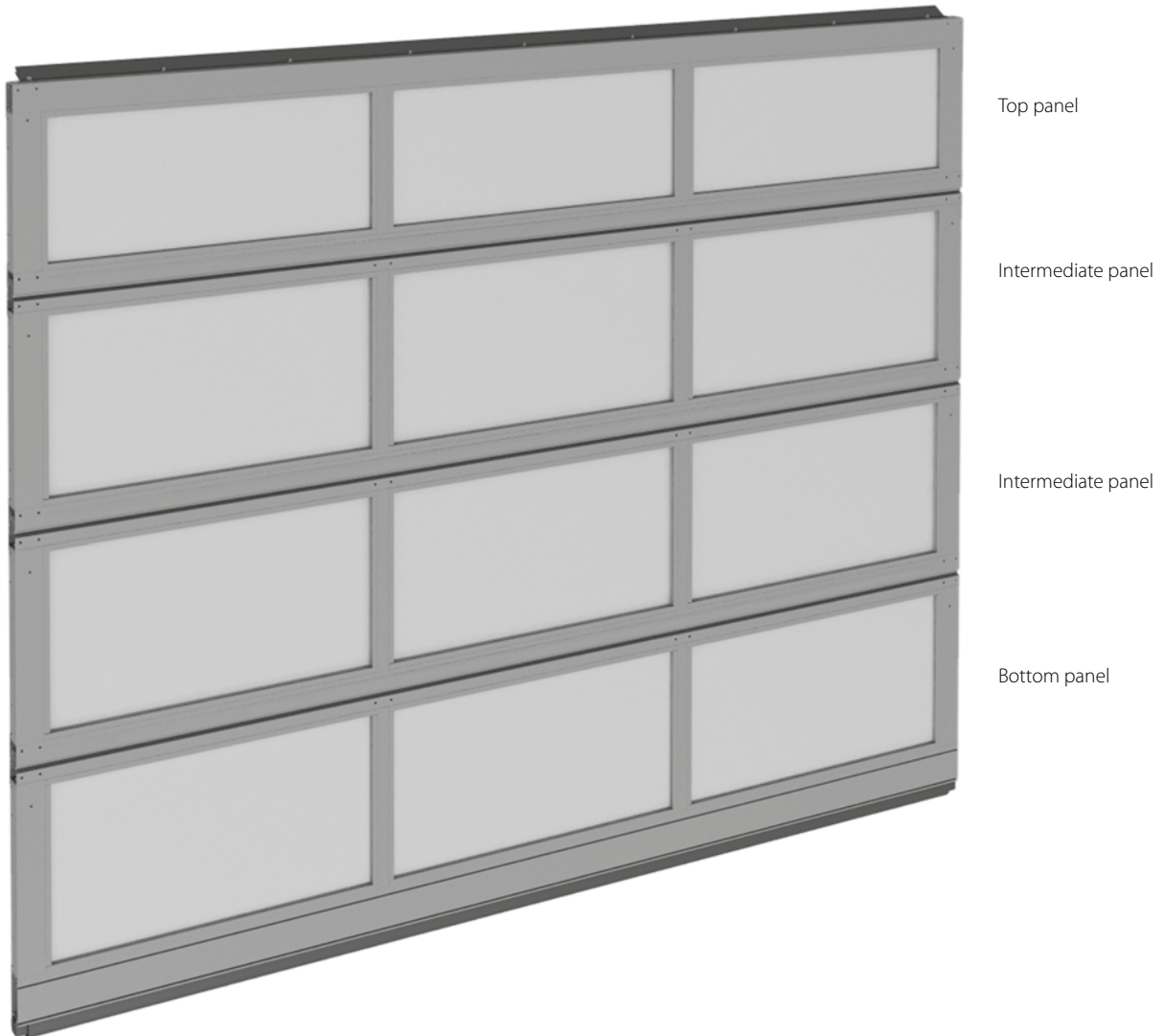


* Colours closely correspond to the RAL scale.

** Standard colours.

PANORAMIC DOOR LEAF WITHOUT WICKET

STANDARD DESIGN OF PANORAMIC DOOR LEAF WITHOUT WICKET



1.1

1.2

1.3

1.4

1.5

2

3

4

Door leaf

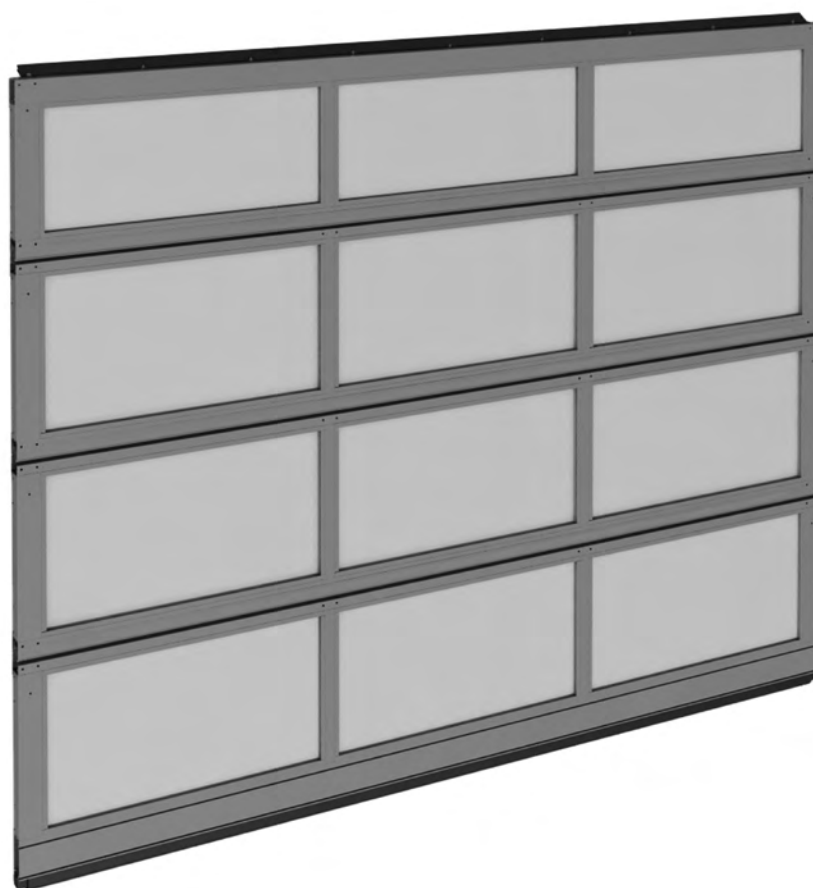
Door series: panoramic doors AluPro, AluTherm.

Door leaf type: ALP.

Components: panoramic panels, bottom and top sealing inserts, bottom stoppers.

Measure unit..... pcs.

Article	Door series	Colour*
GLG-7	AluPro	A00-D6, RAL 9016, 8014, 9006, 5010, 1015, 3004, 6005, 8017, 7016**
		Other RAL-colour or ADS703
	AluTherm	RAL 9016, 8014, 9006, 5010**
		Other RAL-colour or ADS703



* Colours closely correspond to the RAL scale.
** Standard colours.

Door leaf

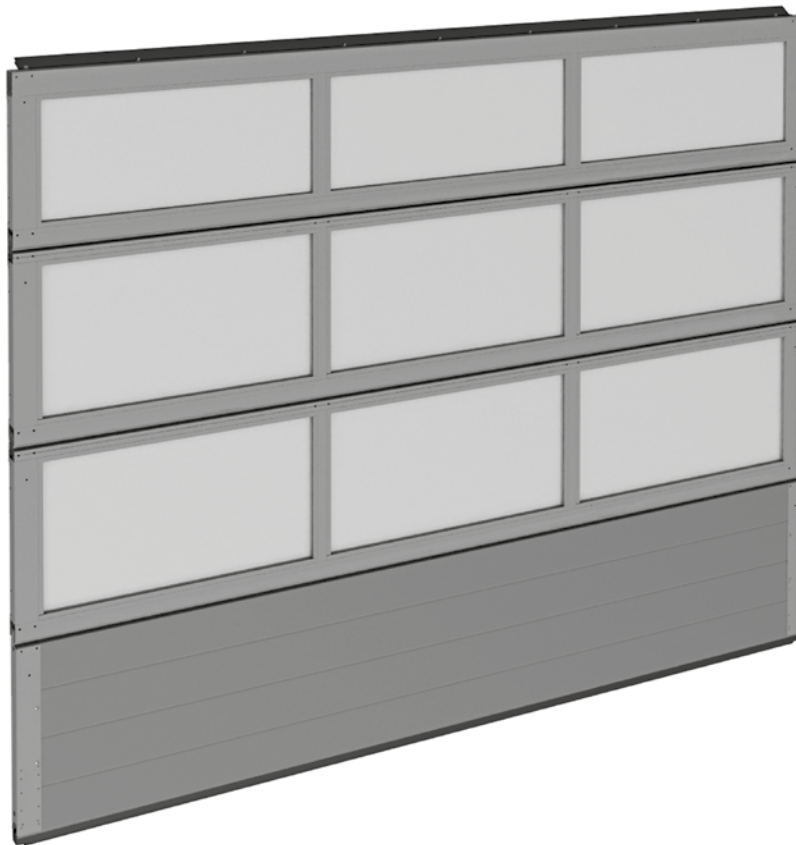
Door series: panoramic doors AluPro and AluTherm.

Door leaf type: ALPS.

Components: bottom sandwich panel, intermediate and top panoramic panels, top end profile, bottom and top sealing inserts, bottom stoppers.

Measure unit pcs.

Article	Door series	Colour*
GLG-10	AluPro	A00-D6, RAL 9016, 8014, 9006, 5010, 1015, 3004, 6005, 8017, 7016**
		Other RAL-colour or ADS703
	AluTherm	RAL 9016, 8014, 9006, 5010**
		Other RAL-colour or ADS703



* Colours closely correspond to the RAL scale.

** Standard colours.

Bottom panel

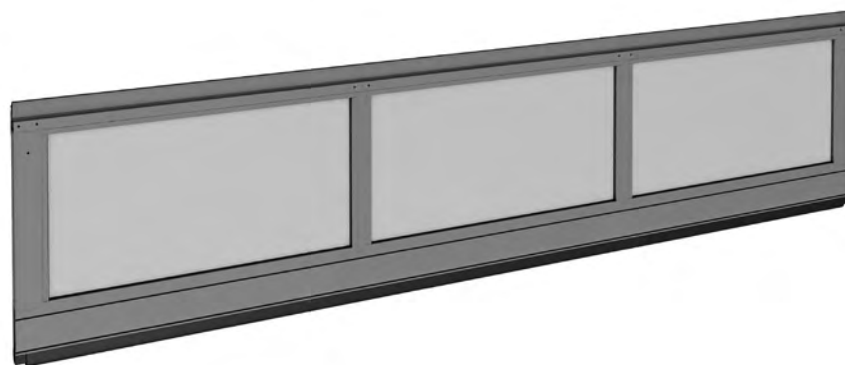
Door series: panoramic doors AluPro, AluTherm.

Door leaf type: ALP.

Components: bottom panoramic panel, bottom sealing insert, bottom stoppers.

Measure unit..... pcs.

Article	Door series	Colour*
LPA-27	AluPro	A00-D6, RAL 9016, 8014, 9006, 5010, 1015, 3004, 6005, 8017, 7016**
		Other RAL-colour or ADS703
	AluTherm	RAL 9016, 8014, 9006, 5010**
		Other RAL-colour or ADS703



* Colours closely correspond to the RAL scale.

** Standard colours.

Intermediate panel

Door series:

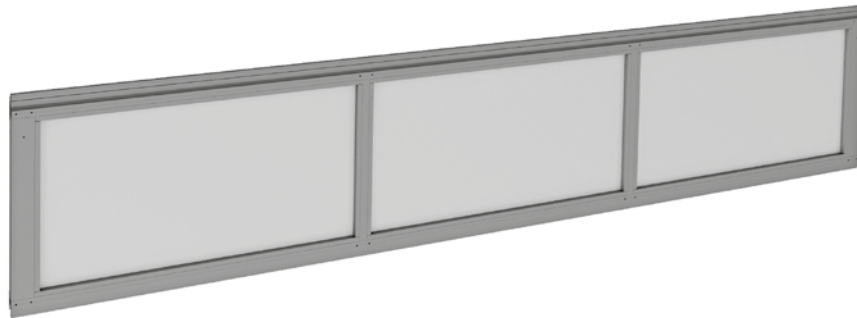
- panoramic doors AluPro, AluTherm;
- garage doors Prestige (PO series AluPro, AluTherm);
- industrial doors ProPlus (PO series AluPro, AluTherm).

Door leaf type: ALP, ALPS, PO.

Components: intermediate panoramic panel.

Measure unit..... pcs.

Article	Door series	Colour*
LPA-28	AluPro	A00-D6, RAL 9016, 8014, 9006, 5010, 1015, 3004, 6005, 8017, 7016**
		Other RAL-colour or ADS703
	AluTherm	RAL 9016, 8014, 9006, 5010**
		Other RAL-colour or ADS703



* Colours closely correspond to the RAL scale.

** Standard colours.

Top panel

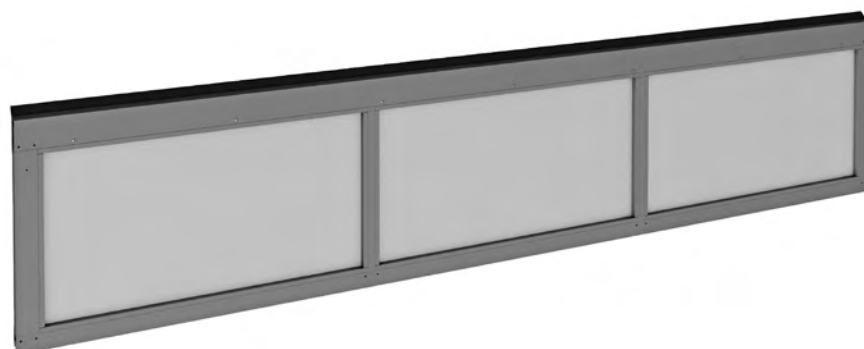
Door series: panoramic doors AluPro and AluTherm.

Door leaf type: ALP, ALPS.

Components: top panoramic panel, top sealing insert.

Measure unit: pcs.

Article	Door series	Colour*
LPA-29	AluPro	A00-D6, RAL 9016, 8014, 9006, 5010, 1015, 3004, 6005, 8017, 7016**
		Other RAL-colour or ADS703
	AluTherm	RAL 9016, 8014, 9006, 5010**
		Other RAL-colour or ADS703

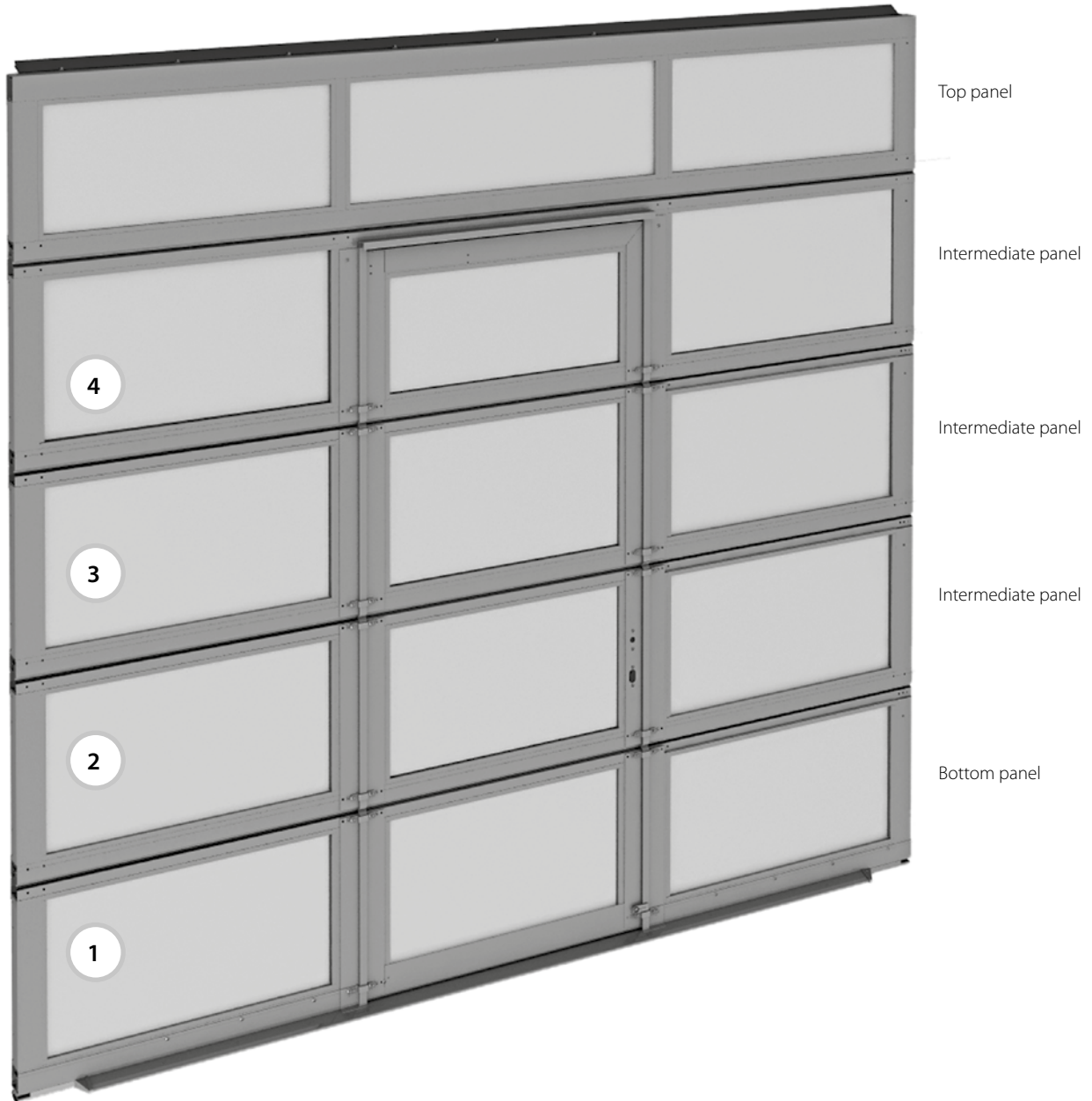


* Colours closely correspond to the RAL scale.

** Standard colours.

PANORAMIC DOOR LEAF WITH WICKET

STANDARD DESIGN OF PANORAMIC DOOR LEAF WITH WICKET



1.1

1.2

1.3

1.4

1.5

2

3

4

Door leaf

Door series: panoramic doors AluPro.

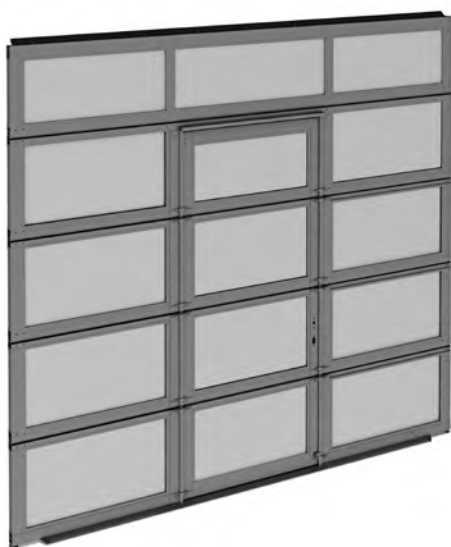
Door leaf type: ALP.

Wicket type: with flat threshold 20 mm, with standard threshold 149 mm.

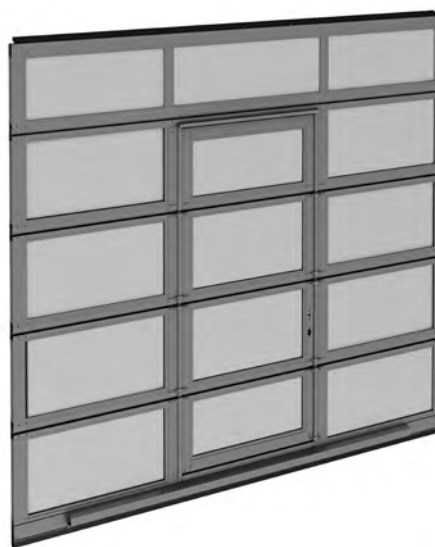
Components: panoramic panels, bottom and top sealing inserts, bottom stoppers, set of wicket profiles and wicket lock, wicket reinforcing profiles.

Measure unit pcs.

Article	Colour*	Application
GLG-5	A00-D6, RAL 9016, 8014, 9006, 5010, 1015, 3004, 6005, 8017, 7016**	For doors with right-hinged wicket
	Other RAL-colour or ADS703	
GLG-6	A00-D6, RAL 9016, 8014, 9006, 5010, 1015, 3004, 6005, 8017, 7016**	For doors with left-hinged wicket
	Other RAL-colour or ADS703	



Wicket with flat threshold 20 mm



Wicket with standard threshold 149 mm

* Colours closely correspond to the RAL scale.

** Standard colours.

Door leaf

Door series: panoramic doors AluPro.

Door leaf type: ALPS.

Wicket type: with flat threshold 20 mm, with low threshold 100 mm, with standard threshold 145 mm.

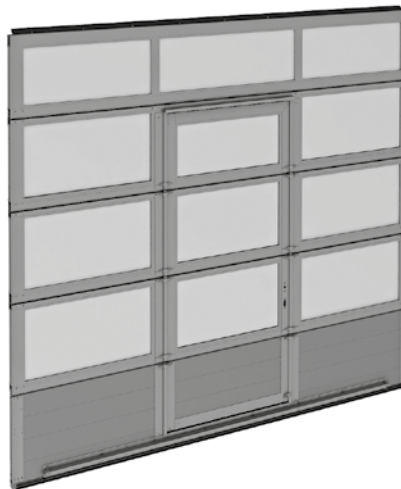
Components: bottom sandwich panel, intermediate and top panoramic panels, top end profile, bottom and top sealing inserts, bottom stoppers, set of wicket profiles and wicket lock, wicket reinforcing profiles.

Measure unit pcs.

Article	Colour*	Application
GLG-8	A00-D6, RAL 9016, 8014, 9006, 5010, 1015, 3004, 6005, 8017, 7016**	For doors with right-hinged wicket
	Other RAL-colour or ADS703	
GLG-9	A00-D6, RAL 9016, 8014, 9006, 5010, 1015, 3004, 6005, 8017, 7016**	For doors with left-hinged wicket
	Other RAL-colour or ADS703	



Wicket with flat threshold 20 mm



Wicket with low threshold 100 mm



Wicket with standard threshold 145 mm

* Colours closely correspond to the RAL scale.

** Standard colours.

Bottom panel

Door series: panoramic doors AluPro.

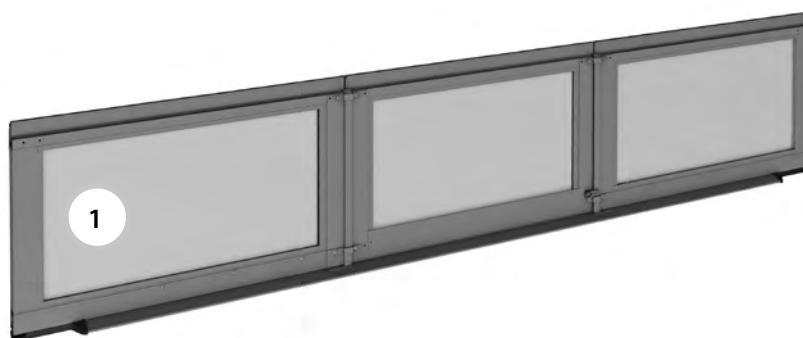
Door leaf type: ALP.

Wicket type: with flat threshold 20 mm, with standard threshold 149 mm.

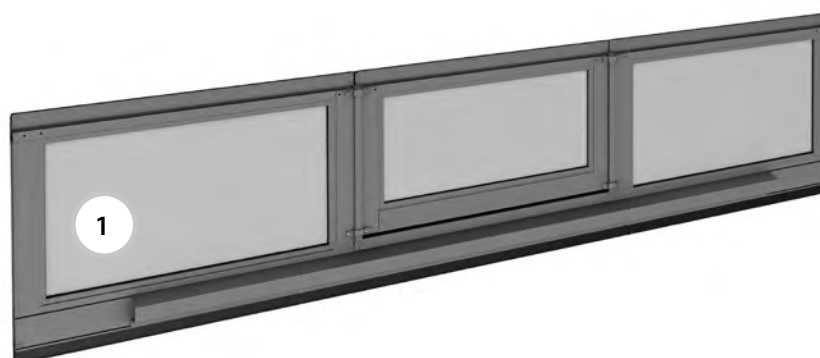
Components: bottom panoramic panel, bottom sealing insert, set of wicket profiles for bottom panel, bottom reinforcing wicket profile, bottom stoppers.

Measure unit pcs.

Article	Colour*	Application
LPA-1	A00-D6, RAL 9016, 8014, 9006, 5010, 1015, 3004, 6005, 8017, 7016**	For doors with right-hinged wicket
	Other RAL-colour or ADS703	
LPA-15	A00-D6, RAL 9016, 8014, 9006, 5010, 1015, 3004, 6005, 8017, 7016**	For doors with left-hinged wicket
	Other RAL-colour or ADS703	



Wicket with flat threshold 20 mm



Wicket with standard threshold 149 mm

* Colours closely correspond to the RAL scale.

** Standard colours.

Bottom panel

Door series: panoramic doors AluPro.

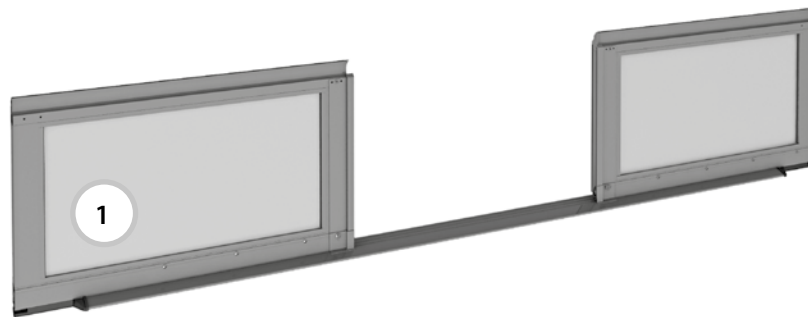
Door leaf type: ALP.

Wicket type: with flat threshold 20 mm, with standard threshold 149 mm.

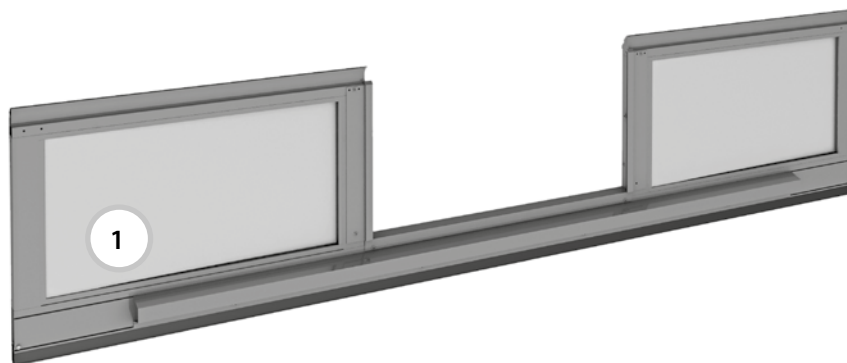
Components: bottom wicket panel with installed wicket profiles.

Measure unit pcs.

Article	Colour*	Application
LPA-30	A00-D6, RAL 9016, 8014, 9006, 5010, 1015, 3004, 6005, 8017, 7016**	For doors with right-hinged wicket
	Other RAL-colour or ADS703	
LPA-40	A00-D6, RAL 9016, 8014, 9006, 5010, 1015, 3004, 6005, 8017, 7016**	For doors with left-hinged wicket
	Other RAL-colour or ADS703	



Wicket with flat threshold 20 mm



Wicket with standard threshold 149 mm

* Colours closely correspond to the RAL scale.

** Standard colours.

Bottom panel

Door series: panoramic doors AluPro.

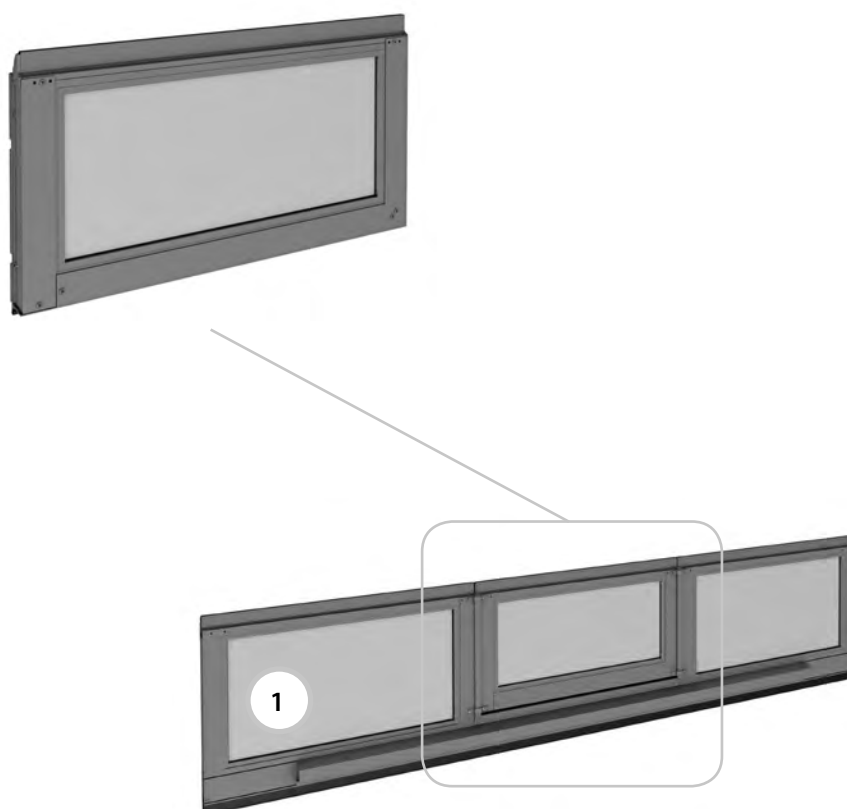
Door leaf type: ALP.

Wicket type: with flat threshold 20 mm, with standard threshold 149 mm.

Components: bottom wicket panel with installed wicket profiles.

Measure unit..... pcs.

Article	Colour*	Application
LPA-3	A00-D6, RAL 9016, 8014, 9006, 5010, 1015, 3004, 6005, 8017, 7016**	For doors with right-hinged wicket
	Other RAL-colour or ADS703	
LPA-17	A00-D6, RAL 9016, 8014, 9006, 5010, 1015, 3004, 6005, 8017, 7016**	For doors with left-hinged wicket
	Other RAL-colour or ADS703	



* Colours closely correspond to the RAL scale.
** Standard colours.

Intermediate panel

Door series:

- panoramic doors AluPro;
- garage doors Prestige (PO series AluPro);
- industrial doors ProPlus (PO series AluPro).

Door leaf type: ALP, ALPS, PO.

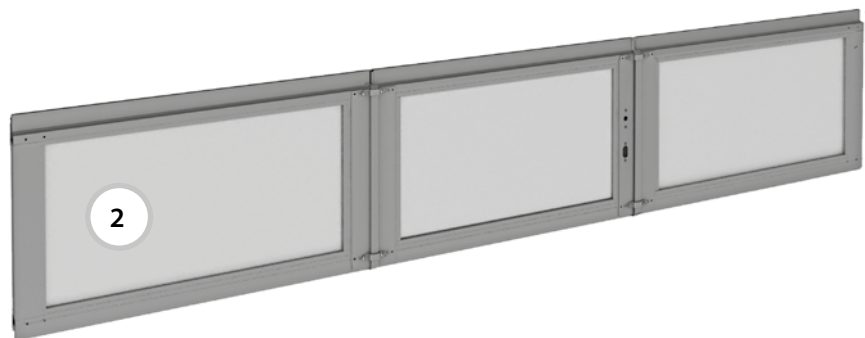
Wicket type:

- with flat threshold 20 mm, with standard threshold 149 mm (ALP);
- with flat threshold 20 mm, with low threshold 100 mm, with standard threshold 145 mm (ALPS, PO).

Components: intermediate wicket panel with installed wicket profiles, wicket lock.

Measure unit pcs.

Article	Colour*	Application
LPA-31	A00-D6, RAL 9016, 8014, 9006, 5010, 1015, 3004, 6005, 8017, 7016**	For doors with right-hinged wicket
	Other RAL-colour or ADS703	
LPA-41	A00-D6, RAL 9016, 8014, 9006, 5010, 1015, 3004, 6005, 8017, 7016**	For doors with left-hinged wicket
	Other RAL-colour or ADS703	



* Colours closely correspond to the RAL scale.

** Standard colours.

Intermediate panel

Door series:

- panoramic doors AluPro;
- garage doors Prestige (PO series AluPro);
- industrial doors ProPlus (PO series AluPro).

Door leaf type: ALP, ALPS, PO.

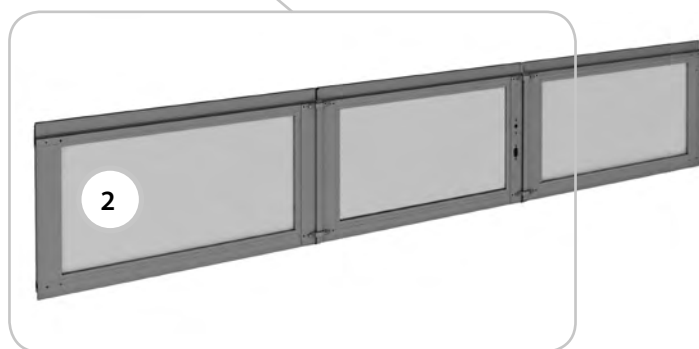
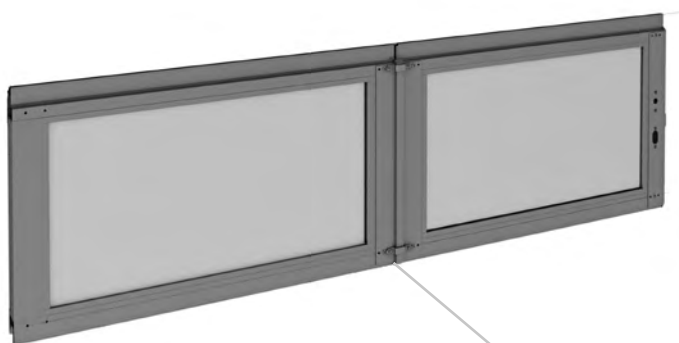
Wicket type:

- with flat threshold 20 mm, with standard threshold 149 mm (ALP);
- with flat threshold 20 mm, with low threshold 100 mm, with standard threshold 145 mm (ALPS, PO).

Components: intermediate wicket panels with installed wicket profiles, wicket lock.

Measure unit pcs.

Article	Colour*	Application
LPA-5	A00-D6, RAL 9016, 8014, 9006, 5010, 1015, 3004, 6005, 8017, 7016**	For doors with right-hinged wicket
	Other RAL-colour or ADS703	
LPA-19	A00-D6, RAL 9016, 8014, 9006, 5010, 1015, 3004, 6005, 8017, 7016**	For doors with left-hinged wicket
	Other RAL-colour or ADS703	



* Colours closely correspond to the RAL scale.

** Standard colours.

Intermediate panel

Door series:

- panoramic doors AluPro;
- garage doors Prestige (PO series AluPro);
- industrial doors ProPlus (PO series AluPro).

Door leaf type: ALP, ALPS, PO.

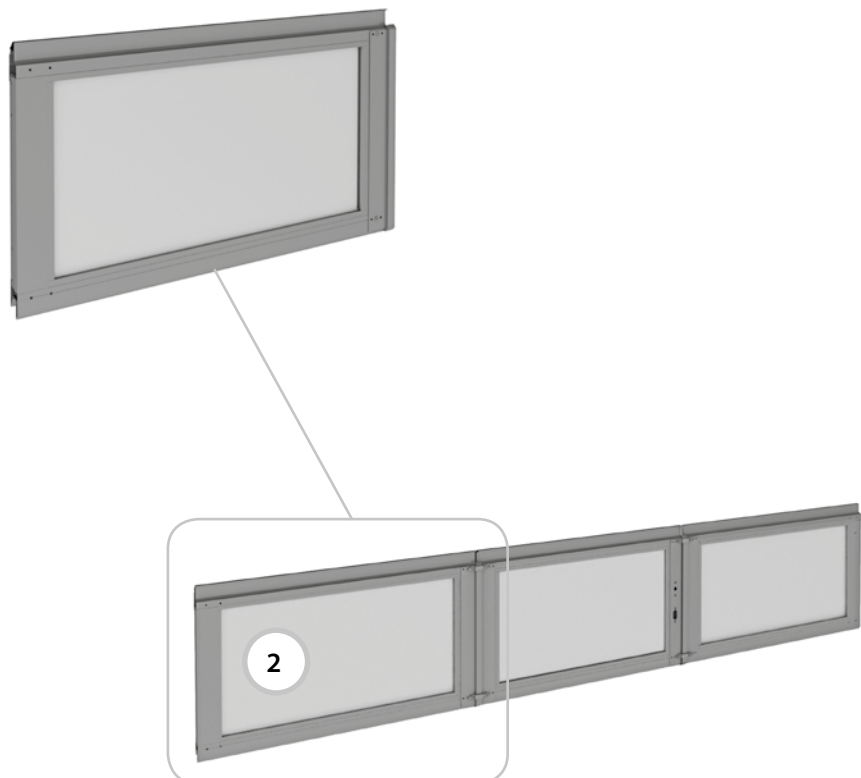
Wicket type:

- with flat threshold 20 mm, with standard threshold 149 mm (ALP);
- with flat threshold 20 mm, with low threshold 100 mm, with standard threshold 145 mm (ALPS, PO).

Components: intermediate wicket panel with installed wicket profiles.

Measure unit pcs.

Article	Colour*	Application
LPA-6	A00-D6, RAL 9016, 8014, 9006, 5010, 1015, 3004, 6005, 8017, 7016**	For doors with right-hinged wicket
	Other RAL-colour or ADS703	
LPA-20	A00-D6, RAL 9016, 8014, 9006, 5010, 1015, 3004, 6005, 8017, 7016**	For doors with left-hinged wicket
	Other RAL-colour or ADS703	



* Colours closely correspond to the RAL scale.

** Standard colours.

Intermediate panel

Door series:

- panoramic doors AluPro;
- garage doors Prestige (PO series AluPro);
- industrial doors ProPlus (PO series AluPro).

Door leaf type: ALP, ALPS, PO.

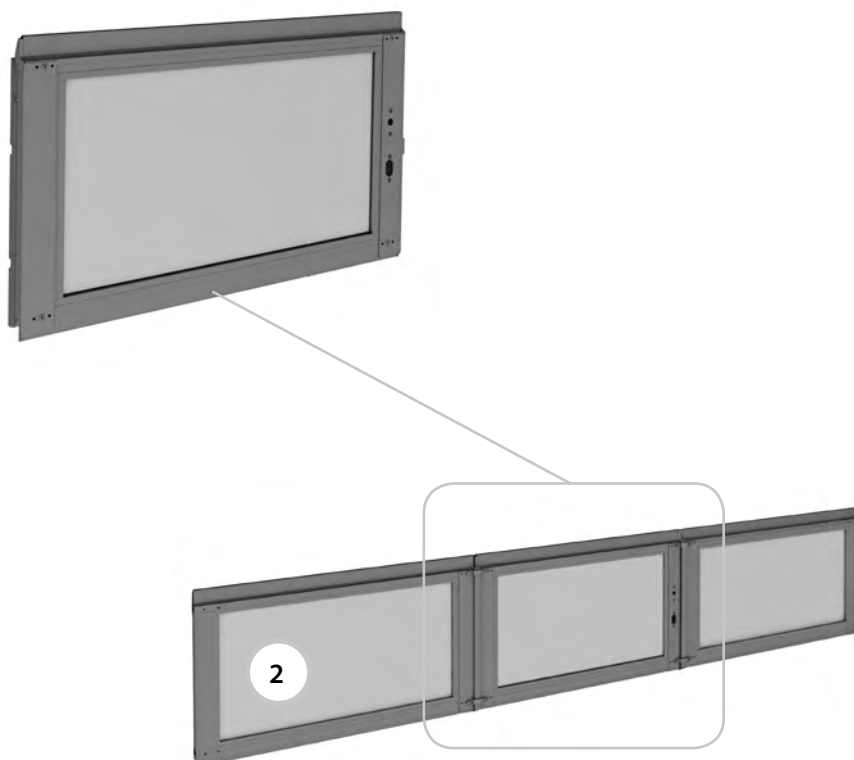
Wicket type:

- with flat threshold 20 mm, with standard threshold 149 mm (ALP);
- with flat threshold 20 mm, with low threshold 100 mm, with standard threshold 145 mm (ALPS, PO).

Components: intermediate wicket panel with installed wicket profiles, wicket lock.

Measure unit pcs.

Article	Colour*	Application
LPA-7	A00-D6, RAL 9016, 8014, 9006, 5010, 1015, 3004, 6005, 8017, 7016**	For doors with right-hinged wicket
	Other RAL-colour or ADS703	
LPA-21	A00-D6, RAL 9016, 8014, 9006, 5010, 1015, 3004, 6005, 8017, 7016**	For doors with left-hinged wicket
	Other RAL-colour or ADS703	



* Colours closely correspond to the RAL scale.

** Standard colours.

Intermediate panel

Door series:

- panoramic doors AluPro;
- garage doors Prestige (PO series AluPro);
- industrial doors ProPlus (PO series AluPro).

Door leaf type: ALP, ALPS, PO.

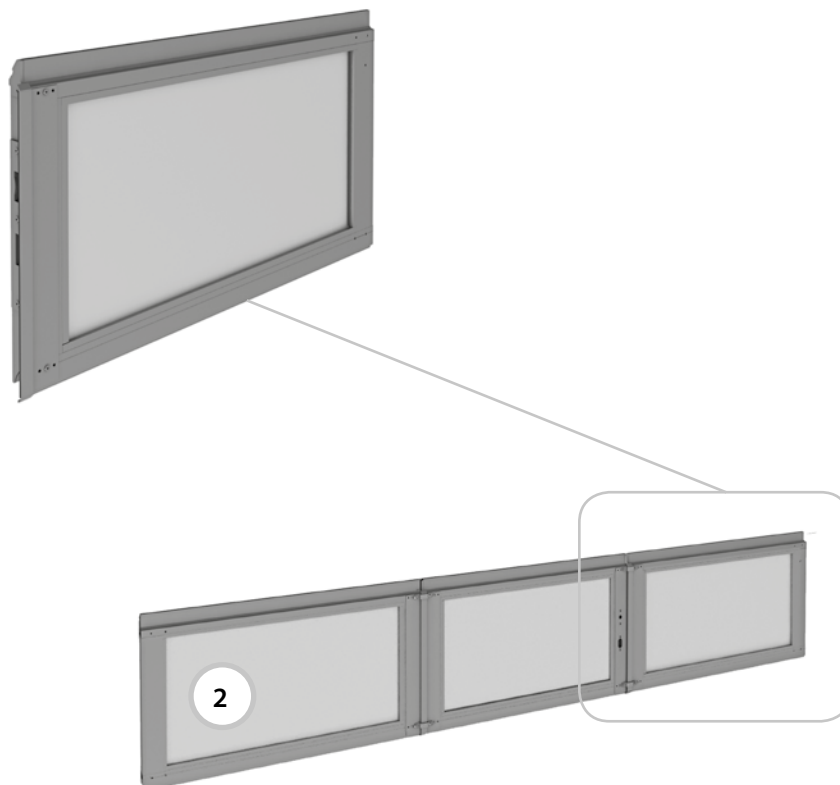
Wicket type:

- with flat threshold 20 mm, with standard threshold 149 mm (ALP);
- with flat threshold 20 mm, with low threshold 100 mm, with standard threshold 145 mm (ALPS, PO).

Components: intermediate wicket panel with installed wicket profiles.

Measure unit pcs.

Article	Colour*	Application
LPA-8	A00-D6, RAL 9016, 8014, 9006, 5010, 1015, 3004, 6005, 8017, 7016**	For doors with right-hinged wicket
	Other RAL-colour or ADS703	
LPA-22	A00-D6, RAL 9016, 8014, 9006, 5010, 1015, 3004, 6005, 8017, 7016**	For doors with left-hinged wicket
	Other RAL-colour or ADS703	



* Colours closely correspond to the RAL scale.

** Standard colours.

Intermediate panel

Door series:

- panoramic doors AluPro;
- garage doors Prestige (PO series AluPro);
- industrial doors ProPlus (PO series AluPro).

Door leaf type: ALP, ALPS, PO.

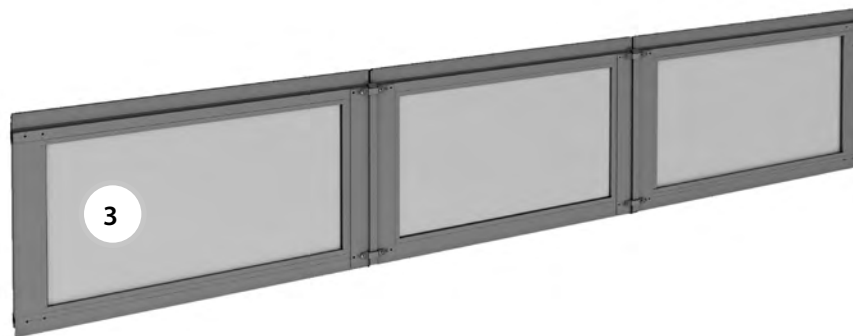
Wicket type:

- with flat threshold 20 mm, with standard threshold 149 mm (ALP);
- with flat threshold 20 mm, with low threshold 100 mm, with standard threshold 145 mm (ALPS, PO).

Components: intermediate wicket panel with installed wicket profiles.

Measure unit pcs.

Article	Colour*	Application
LPA-32	A00-D6, RAL 9016, 8014, 9006, 5010, 1015, 3004, 6005, 8017, 7016**	For doors with right-hinged wicket
	Other RAL-colour or ADS703	
LPA-42	A00-D6, RAL 9016, 8014, 9006, 5010, 1015, 3004, 6005, 8017, 7016**	For doors with left-hinged wicket
	Other RAL-colour or ADS703	



* Colours closely correspond to the RAL scale.
** Standard colours.

Intermediate panel

Door series:

- panoramic doors AluPro;
- garage doors Prestige (PO series AluPro);
- industrial doors ProPlus (PO series AluPro).

Door leaf type: ALP, ALPS, PO.

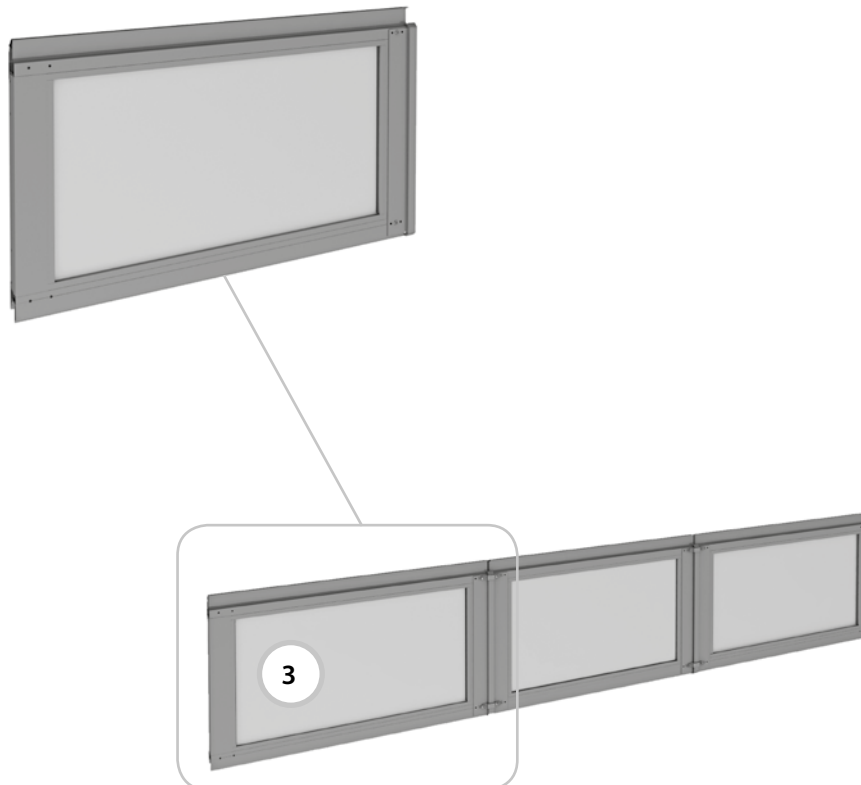
Wicket type:

- with flat threshold 20 mm, with standard threshold 149 mm (ALP);
- with flat threshold 20 mm, with low threshold 100 mm, with standard threshold 145 mm (ALPS, PO).

Components: intermediate wicket panels with installed wicket profiles.

Measure unit pcs.

Article	Colour*	Application
LPA-33	A00-D6, RAL 9016, 8014, 9006, 5010, 1015, 3004, 6005, 8017, 7016**	For doors with right-hinged wicket
	Other RAL-colour or ADS703	
LPA-43	A00-D6, RAL 9016, 8014, 9006, 5010, 1015, 3004, 6005, 8017, 7016**	For doors with left-hinged wicket
	Other RAL-colour or ADS703	



* Colours closely correspond to the RAL scale.

** Standard colours.

Intermediate panel

Door series:

- panoramic doors AluPro;
- garage doors Prestige (PO series AluPro);
- industrial doors ProPlus (PO series AluPro).

Door leaf type: ALP, ALPS, PO.

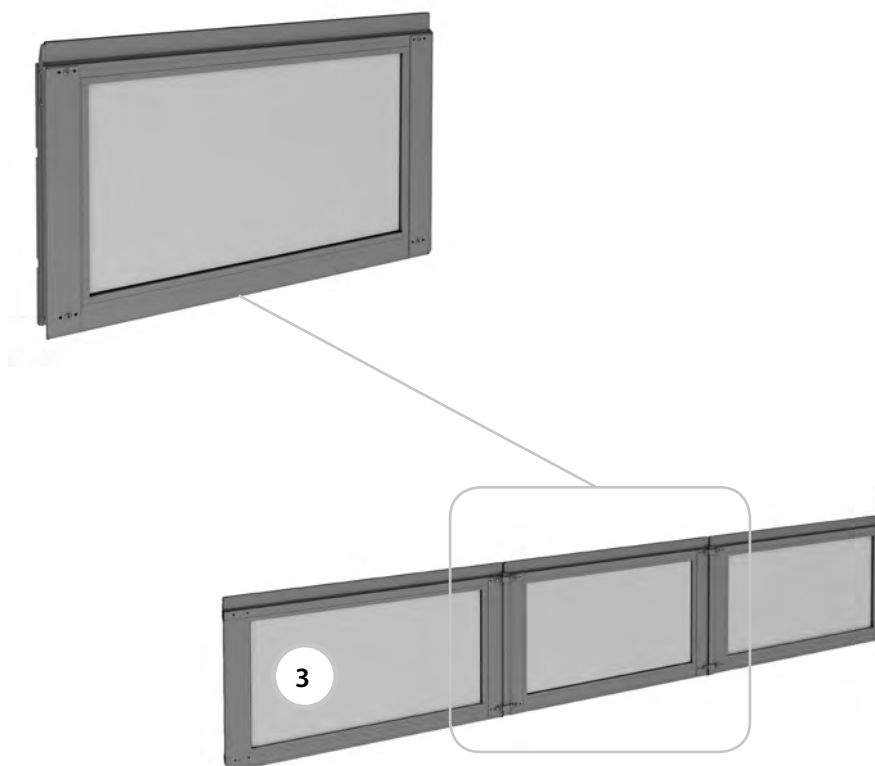
Wicket type:

- with flat threshold 20 mm, with standard threshold 149 mm (ALP);
- with flat threshold 20 mm, with low threshold 100 mm, with standard threshold 145 mm (ALPS, PO).

Components: intermediate wicket panels with installed wicket profiles.

Measure unit pcs.

Article	Colour*	Application
LPA-34	A00-D6, RAL 9016, 8014, 9006, 5010, 1015, 3004, 6005, 8017, 7016**	For doors with right-hinged wicket
	Other RAL-colour or ADS703	
LPA-44	A00-D6, RAL 9016, 8014, 9006, 5010, 1015, 3004, 6005, 8017, 7016**	For doors with left-hinged wicket
	Other RAL-colour or ADS703	



* Colours closely correspond to the RAL scale.

** Standard colours.

Intermediate panel

Door series:

- panoramic doors AluPro;
- garage doors Prestige (PO series AluPro);
- industrial doors ProPlus (PO series AluPro).

Door leaf type: ALP, ALPS, PO.

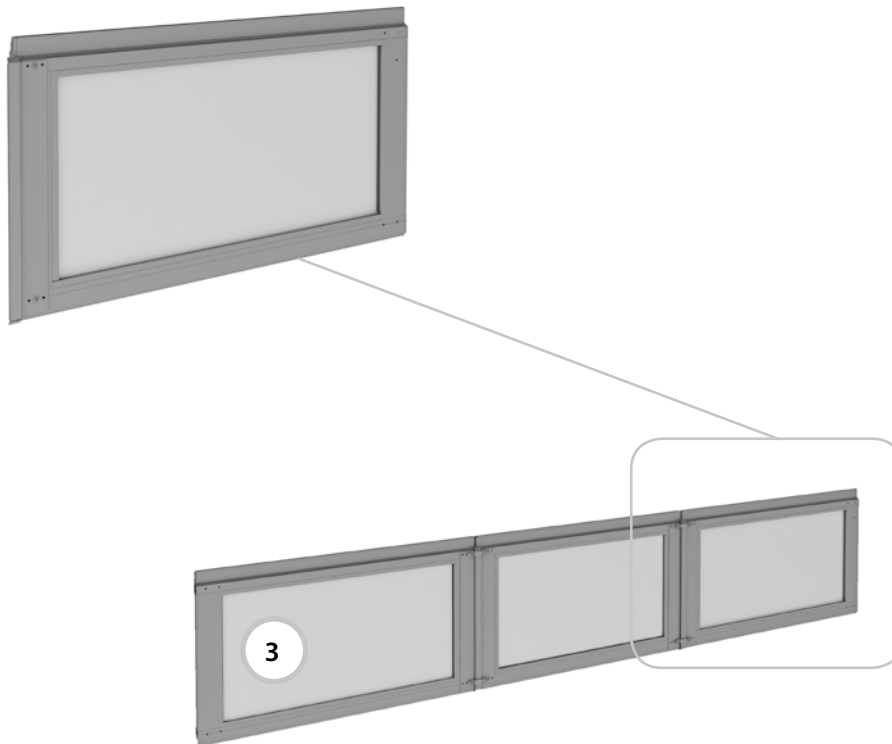
Wicket type:

- with flat threshold 20 mm, with standard threshold 149 mm (ALP);
- with flat threshold 20 mm, with low threshold 100 mm, with standard threshold 145 mm (ALPS, PO).

Components: intermediate wicket panels with installed wicket profiles.

Measure unit pcs.

Article	Colour*	Application
LPA-35	A00-D6, RAL 9016, 8014, 9006, 5010, 1015, 3004, 6005, 8017, 7016**	For doors with right-hinged wicket
	Other RAL-colour or ADS703	
LPA-45	A00-D6, RAL 9016, 8014, 9006, 5010, 1015, 3004, 6005, 8017, 7016**	For doors with left-hinged wicket
	Other RAL-colour or ADS703	



* Colours closely correspond to the RAL scale.

** Standard colours.

Intermediate panel

Door series:

- panoramic doors AluPro;
- garage doors Prestige (PO series AluPro);
- industrial doors ProPlus (PO series AluPro).

Door leaf type: ALP, ALPS, PO.

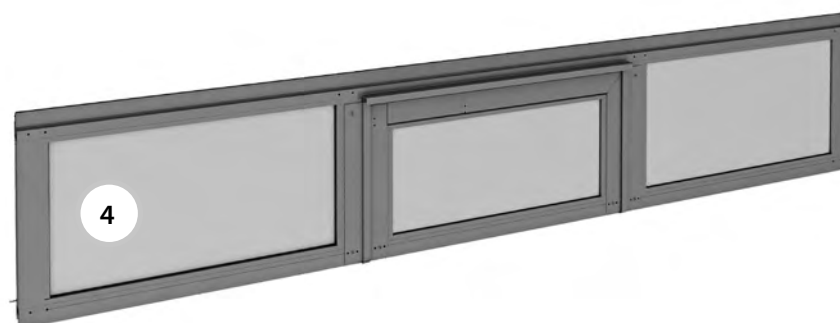
Wicket type:

- with flat threshold 20 mm, with standard threshold 149 mm (ALP);
- with flat threshold 20 mm, with low threshold 100 mm, with standard threshold 145 mm (ALPS, PO).

Components: top wicket panel with installed wicket profiles.

Measure unit pcs.

Article	Colour*	Application
LPA-36	A00-D6, RAL 9016, 8014, 9006, 5010, 1015, 3004, 6005, 8017, 7016**	For doors with right-hinged wicket
	Other RAL-colour or ADS703	
LPA-46	A00-D6, RAL 9016, 8014, 9006, 5010, 1015, 3004, 6005, 8017, 7016**	For doors with left-hinged wicket
	Other RAL-colour or ADS703	



* Colours closely correspond to the RAL scale.

** Standard colours.

Intermediate panel

Door series:

- panoramic doors AluPro;
- garage doors Prestige (PO series AluPro);
- industrial doors ProPlus (PO series AluPro).

Door leaf type: ALP, ALPS, PO.

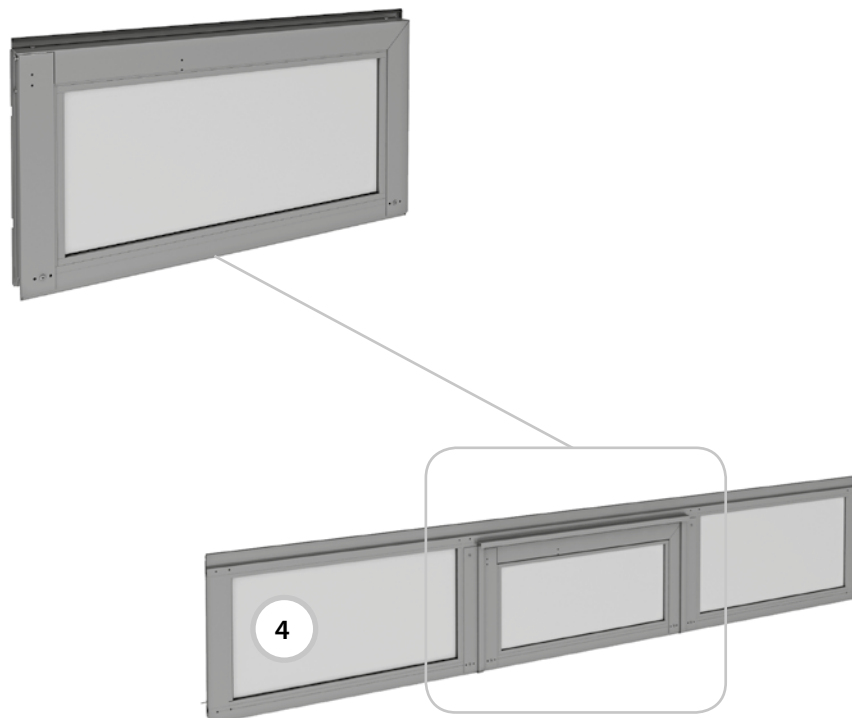
Wicket type:

- with flat threshold 20 mm, with standard threshold 149 mm (ALP);
- with flat threshold 20 mm, with low threshold 100 mm, with standard threshold 145 mm (ALPS, PO).

Components: top wicket panel with installed wicket profiles.

Measure unit pcs.

Article	Colour*	Application
LPA-37	A00-D6, RAL 9016, 8014, 9006, 5010, 1015, 3004, 6005, 8017, 7016**	For doors with right-hinged wicket
	Other RAL-colour or ADS703	
LPA-47	A00-D6, RAL 9016, 8014, 9006, 5010, 1015, 3004, 6005, 8017, 7016**	For doors with left-hinged wicket
	Other RAL-colour or ADS703	



* Colours closely correspond to the RAL scale.

** Standard colours.

Intermediate panel

Door series:

- panoramic doors AluPro;
- garage doors Prestige (PO series AluPro);
- industrial doors ProPlus (PO series AluPro).

Door leaf type: ALP, ALPS, PO.

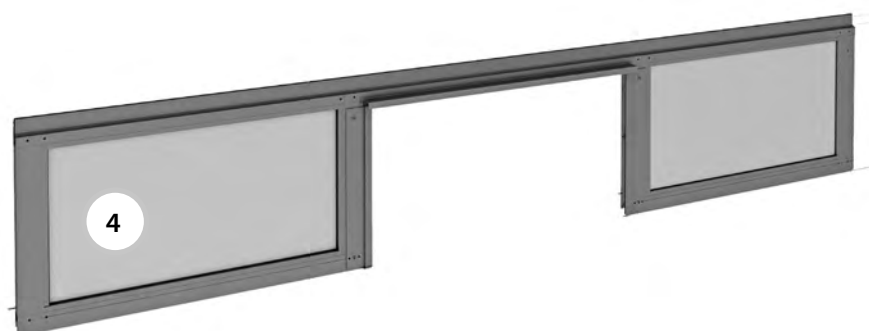
Wicket type:

- with flat threshold 20 mm, with standard threshold 149 mm (ALP);
- with flat threshold 20 mm, with low threshold 100 mm, with standard threshold 145 mm (ALPS, PO).

Components: top wicket panel with installed wicket profiles.

Measure unit pcs.

Article	Colour*	Application
LPA-38	A00-D6, RAL 9016, 8014, 9006, 5010, 1015, 3004, 6005, 8017, 7016**	For doors with right-hinged wicket
	Other RAL-colour or ADS703	
LPA-48	A00-D6, RAL 9016, 8014, 9006, 5010, 1015, 3004, 6005, 8017, 7016**	For doors with left-hinged wicket
	Other RAL-colour or ADS703	



* Colours closely correspond to the RAL scale.

** Standard colours.

DOOR LEAF BALANCING SYSTEM

Torsion spring mechanism

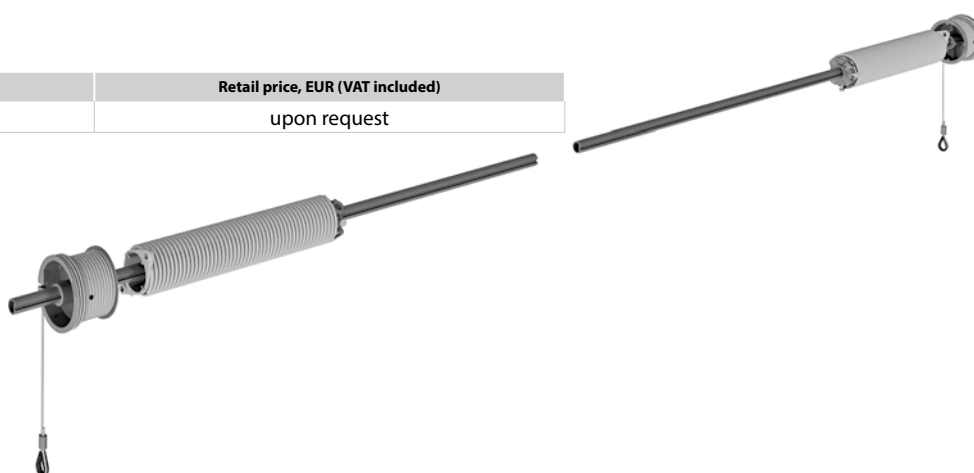
Door type:

- Prestige series garage doors of all mounting types with torsion springs;
- industrial doors ProPlus.

Components: shaft (or two shafts), springs with end caps, cable drums, two cables assembled with cable thimbles.

Measure unit pcs.

Article	Retail price, EUR (VAT included)
GTS-1	upon request

**Torsion element**

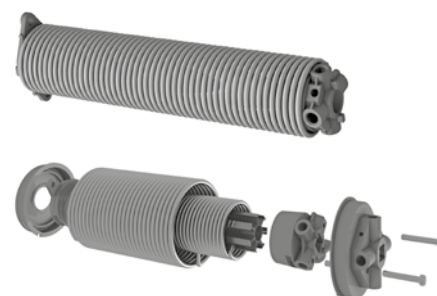
Door type:

- Prestige series garage doors of all mounting types with torsion springs;
- ProPlus series industrial doors.

Components:

- torsion spring with spring end caps (TKU-1-4);
- torsion spring with spring end caps, insert profile (TKU-5—TKU-8);
- duplex spring with spring end caps, insert profile (TKU-9, TKU-11).

Measure unit pcs.



Article	Spring diameter, mm	Door series	Notes
TKU-1	51	Prestige series garage doors	Left
TKU-2		ProPlus series industrial doors	Right
TKU-3	67	Prestige series garage doors	Left
TKU-4		ProPlus series industrial doors	Right
TKU-5	95	Prestige series garage doors	Left
TKU-6		ProPlus series industrial doors	Right
TKU-7	152	ProPlus series industrial doors	Left
TKU-8			Right
TKU-9	Duplex spring (95 + 152 mm)	ProPlus series industrial doors	Left
TKU-11			Right

Tension element

Door type: Prestige series garage doors with tension springs.

Components: assembled tension spring (internal and external springs, spring holder, upper set, bracket).

Measure unit..... pcs.

Article
TKU-13



Torsion shaft element

Door type:

- Prestige series garage doors of all mounting types;
- ProPlus series industrial doors of all mounting types.

Components: cable drums, two cables assembled with cable thimbles.

Measure unit..... pcs.



Article	Cable drum type	Door series and mounting types
TKU-21	CD010N	Prestige series garage doors: standard and low mounting. ProPlus series industrial doors: standard, low, inclined (5-40°), inclined low (5-40°), low with front shaft positioning mounting types
TKU-22	CD012N	Prestige series garage doors: standard and low mounting. ProPlus series industrial doors: standard, low, inclined (5-40°), inclined low (5-40°), low with front shaft positioning mounting types
TKU-23	CD018N	ProPlus series industrial doors: standard, low, inclined (5-40°), inclined low (5-40°), low with front shaft positioning mounting types
TKU-24	CD032N	
TKU-25	CD032N-5/4	
TKU-26	CD054H	Prestige series garage doors: high mounting. ProPlus series industrial doors: high and inclined high (5-40°) mounting with top shaft positioning, high and inclined high (5-40°) mounting with bottom shaft positioning
TKU-27	CD120H	ProPlus series industrial doors: high and inclined high (5-40°) mounting with top shaft positioning, high and inclined high (5-40°) mounting with bottom shaft positioning
TKU-28	CD164H	
TKU-29	CD164H-5/4	
TKU-30	CD011V	ProPlus series industrial doors: vertical mounting with top and bottom shaft positioning, all types of inclined mounting (45°)
TKU-31	CD018V	
TKU-32	CD018V-5/4	

TRACK PROFILE SYSTEM

Vertical track profile

Door type:

- Prestige series garage doors with torsion springs;
- Prestige series garage doors with tension springs.

Components: angle profile, vertical track profile, pulley bracket (low mounting type), connecting plates, side seal.

Measure unit pcs.

Article	Door series/Mounting type	Notes
HKG-4	Prestige/standard mounting	Left
HKG-5		Right
HKG-9	Prestige/low mounting	Left
HKG-10		Right
HKG-18	Prestige/tension springs	Left
HKG-19		Right



Vertical track profile

Door type: Prestige series garage doors of high mounting type.

Components: angle profile, vertical track profile, connecting plates, side seal.

Measure unit pcs.

Article	Notes
HKG-22	Left
HKG-23	Right



Vertical track profile

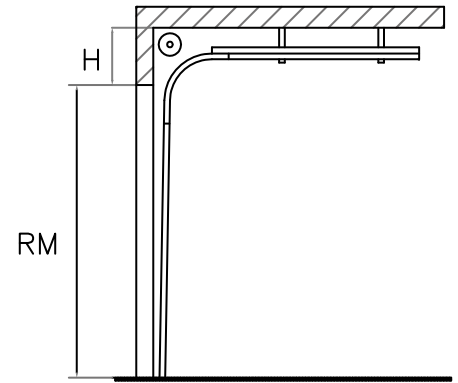
Door type: ProPlus series industrial doors.

Mounting type: standard.

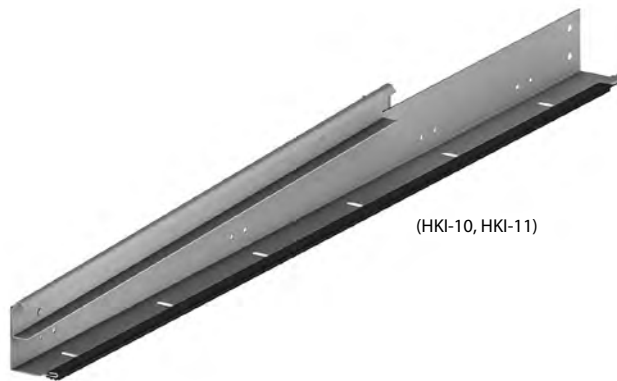
Components: angle profile, vertical track profile, connecting plates, side seal.

Measure unit..... pcs.

Article	Application (hanger system)	Notes
HKI-10	GSH-4	Left
HKI-11		Right
HKI-14	GSH-5	Left, bottom part
HKI-15		Right, bottom part
HKI-16	GSH-5	Left, top part
HKI-17		Right, top part

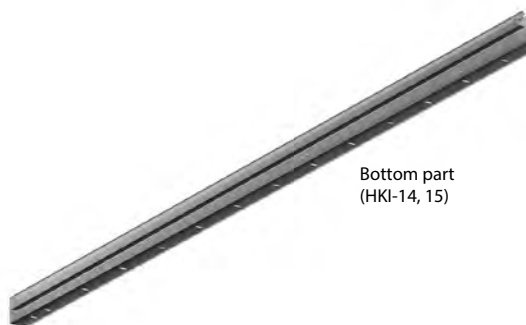


Standard mounting type



(HKI-10, HKI-11)

One-piece angle profile



Bottom part
(HKI-14, 15)



Top part
(HKI-16, 17)

Two-piece angle profile

Vertical track profile

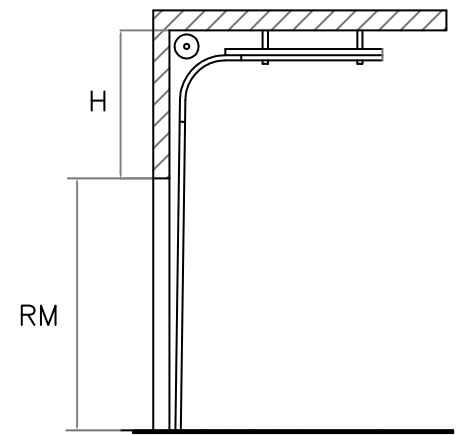
Door type: ProPlus series industrial doors.

Mounting type: high with top shaft positioning.

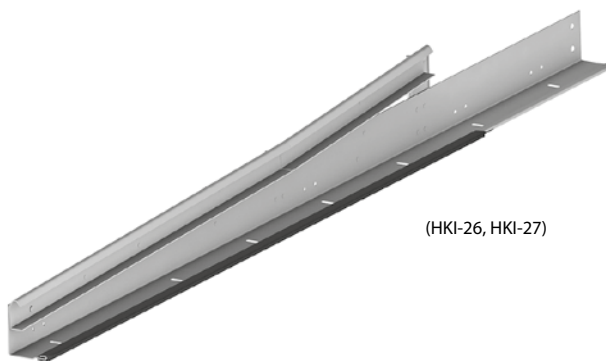
Components: angle profile, vertical track profile, connecting plates, side seal.

Measure unit pcs.

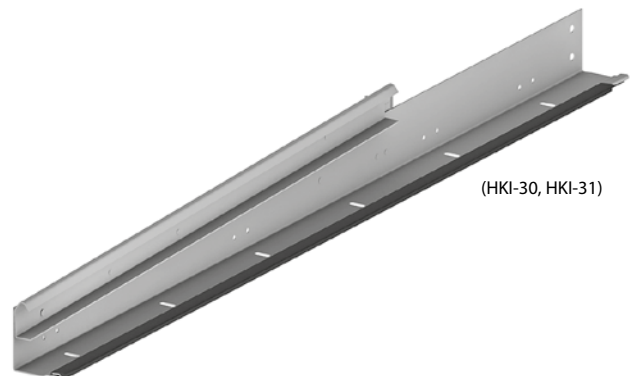
Article	Application (hanger system)	Notes
HKI-20	GSH-6	Left, bottom part
HKI-21		Right, bottom part
HKI-22	GSH-6	Left, top part
HKI-23		Right, top part
HKI-26	GSH-7	Left
HKI-27		Right
HKI-30	GSH-8	Left
HKI-31		Right



**High mounting
with top shaft positioning**

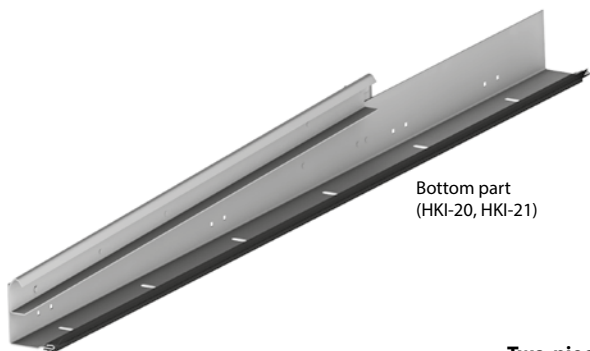


(HKI-26, HKI-27)



(HKI-30, HKI-31)

One-piece angle profile



Bottom part
(HKI-20, HKI-21)



Top part
(HKI-30, HKI-31)

Two-piece angle profile

Vertical track profile

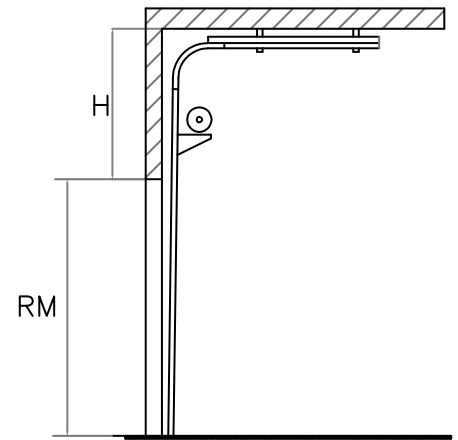
Door type: ProPlus series industrial doors.

Mounting type: high with bottom shaft positioning.

Components: angle profile, vertical track profile, connecting plates, side seal.

Measure unit..... pcs.

Article	Application (hanger system)	Notes
HKI-34	GSH-9	Left, bottom part
HKI-35		Right, bottom part
HKI-36	GSH-9	Left, top part
HKI-37		Right, top part
HKI-40	GSH-10	Left
HKI-41		Right

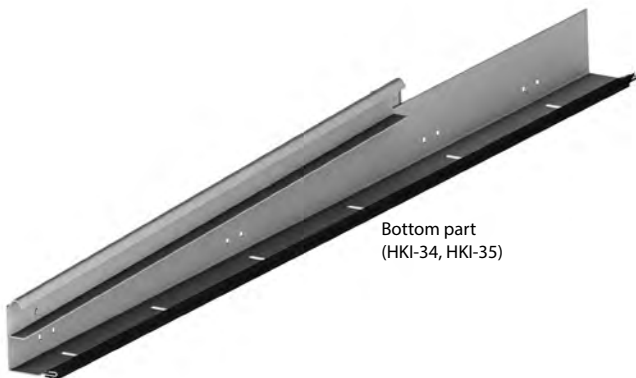


**High mounting
with bottom shaft positioning**

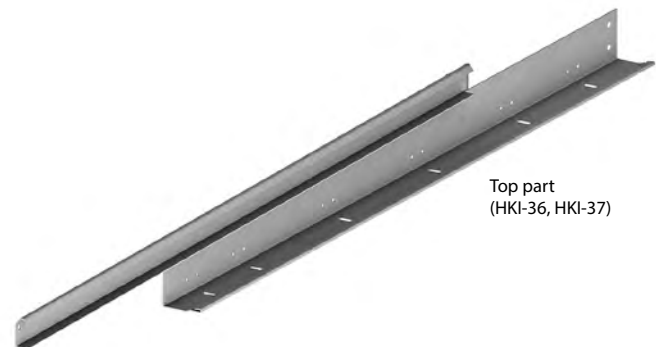


(HKI-40, HKI-41)

One-piece angle profile



Bottom part
(HKI-34, HKI-35)



Top part
(HKI-36, HKI-37)

Two-piece angle profile

Vertical track profile

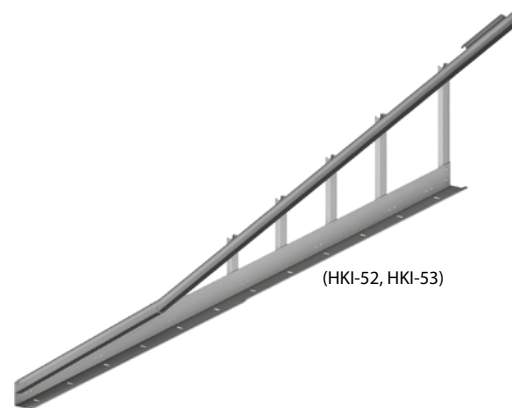
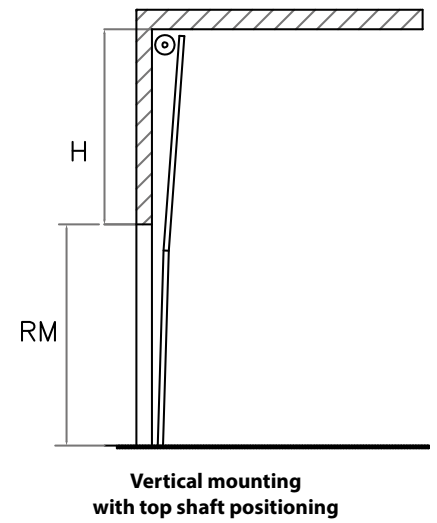
Door type: ProPlus series industrial doors.

Mounting type: vertical with top shaft positioning.

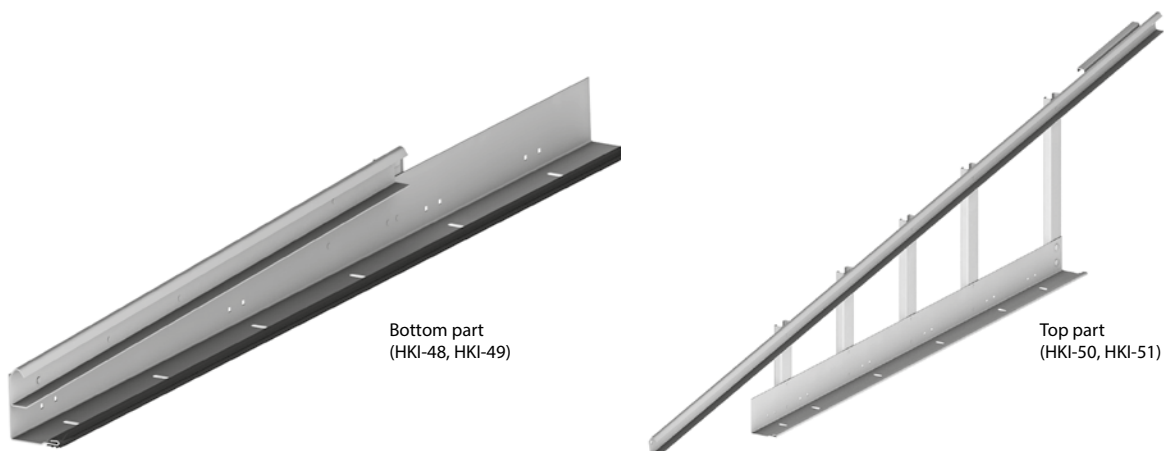
Components: angle profile, vertical track profile, connecting plates, side seal.

Measure unit pcs.

Article	Application (hanger system)	Notes
HKI-48	GSH-12	Left, bottom part
HKI-49		Right, bottom part
HKI-50	GSH-12	Left, top part
HKI-51		Right, top part
HKI-52	GSH-13	Left
HKI-53		Right



One-piece angle profile



Two-piece angle profile

Vertical track profile

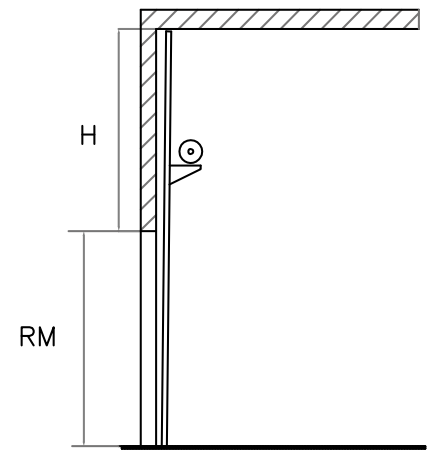
Door type: ProPlus series industrial doors.

Mounting type: vertical with bottom shaft positioning.

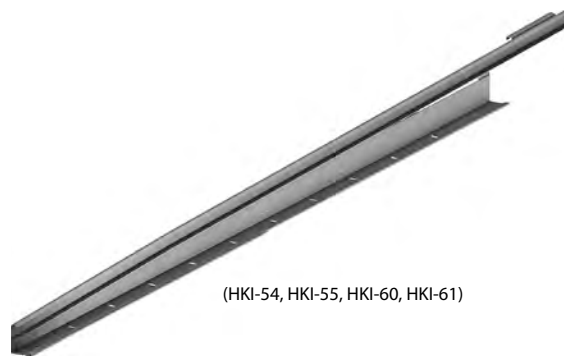
Components: angle profile, vertical track profile, connecting plates, side seal.

Measure unit pcs.

Article	Application (hanger system)	Notes
HKI-54	GSH-14	Left
HKI-55		Right
HKI-60	GSH-16	Left
HKI-61		Right
HKI-56	GSH-15	Left, bottom part
HKI-57		Right, bottom part
HKI-58	GSH-15	Left, top part
HKI-59		Right, top part

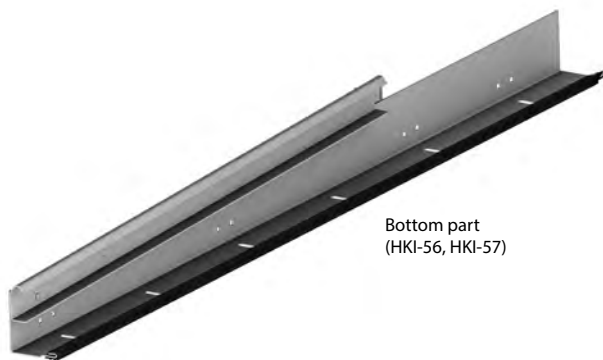


**Vertical mounting
with bottom shaft positioning**

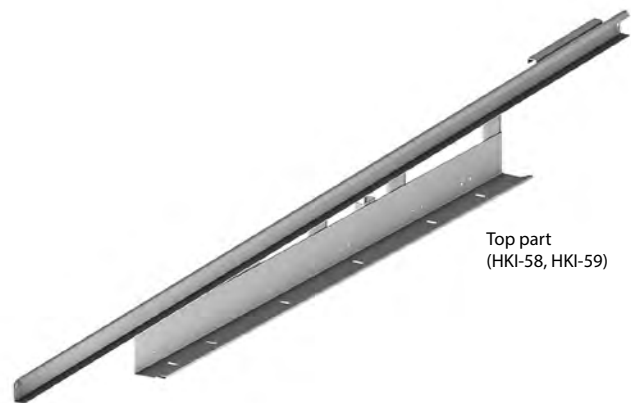


(HKI-54, HKI-55, HKI-60, HKI-61)

One-piece angle profile



Bottom part
(HKI-56, HKI-57)



Top part
(HKI-58, HKI-59)

Two-piece angle profile

Vertical track profile

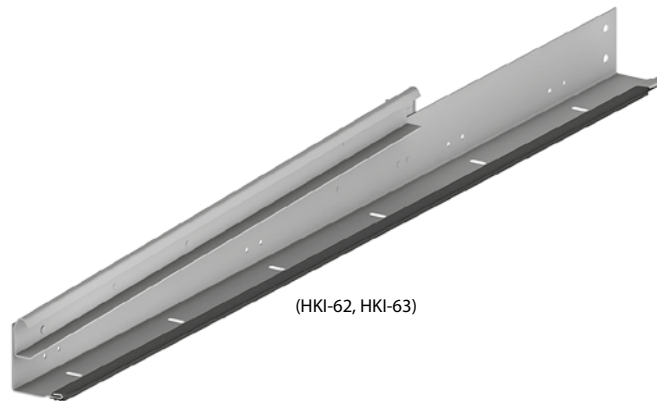
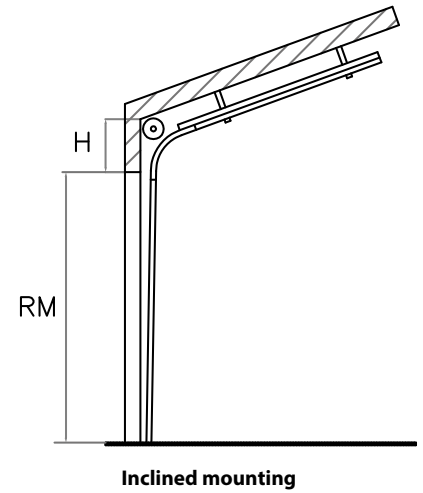
Door type: ProPlus series industrial doors.

Mounting type: inclined.

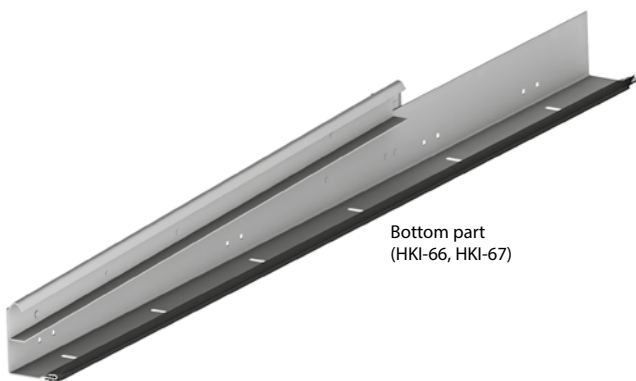
Components: angle profile, vertical track profile, connecting plates, side seal.

Measure unit pcs.

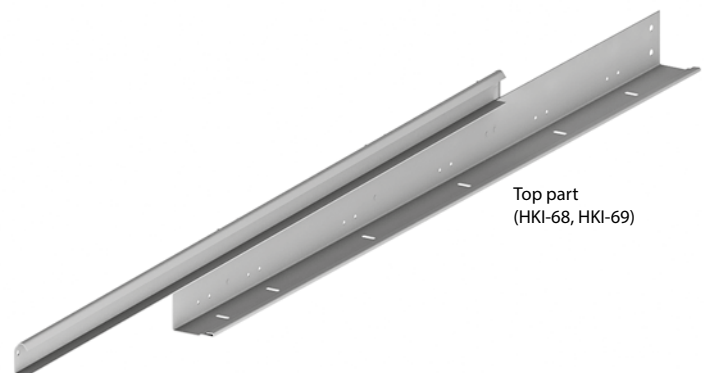
Article	Application (hanger system)	Notes
HKI-62	GSH-19	Left
HKI-63		Right
HKI-66	GSH-20	Left, bottom part
HKI-67		Right, bottom part
HKI-68	GSH-20	Left, top part
HKI-69		Right, top part



One-piece angle profile



Bottom part
(HKI-66, HKI-67)



Top part
(HKI-68, HKI-69)

Two-piece angle profile

Vertical track profile

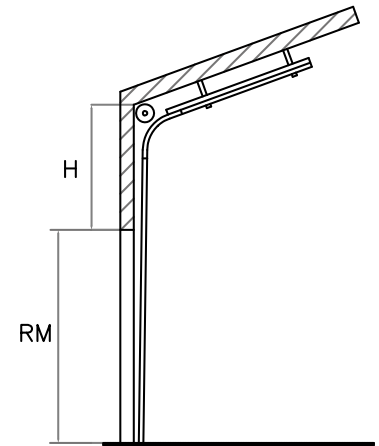
Door type: ProPlus series industrial doors.

Mounting type: inclined high with top shaft positioning.

Components: angle profile, vertical track profile, connecting plates, side seal.

Measure unit pcs.

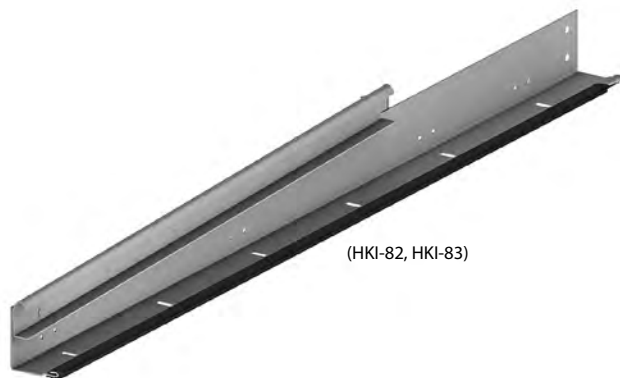
Article	Application (hanger system)	Notes
HKI-72	GSH-21	Left, bottom part
HKI-73		Right, bottom part
HKI-74	GSH-21	Left, top part
HKI-75		Right, top part
HKI-78	GSH-22	Left
HKI-79		Right
HKI-82	GSH-23	Left
HKI-83		Right



**Inclined high mounting
with top shaft positioning**

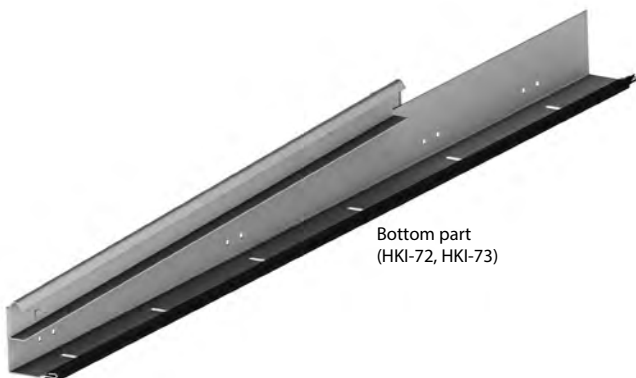


(HKI-78, HKI-79)



(HKI-82, HKI-83)

One-piece angle profile



Bottom part
(HKI-72, HKI-73)



Top part
(HKI-74, HKI-75)

Two-piece angle profile

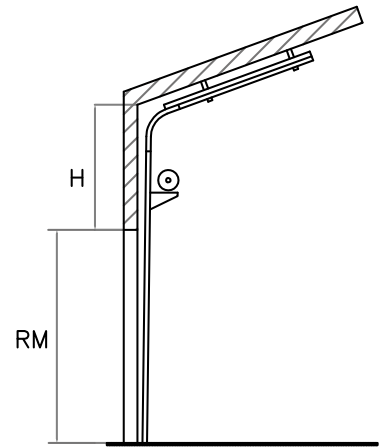
Vertical track profile

Door type: ProPlus series industrial doors.

Mounting type: inclined high with bottom shaft positioning.

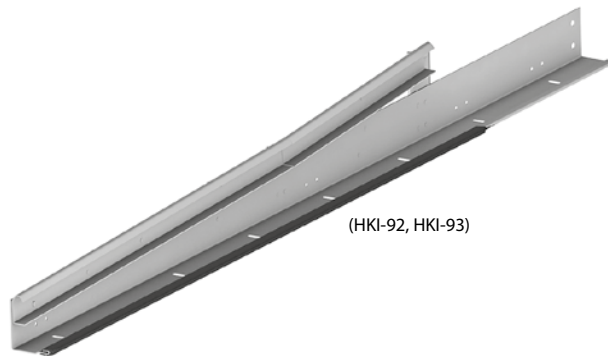
Components: angle profile, vertical track profile, connecting plates, side seal.

Measure unit pcs.



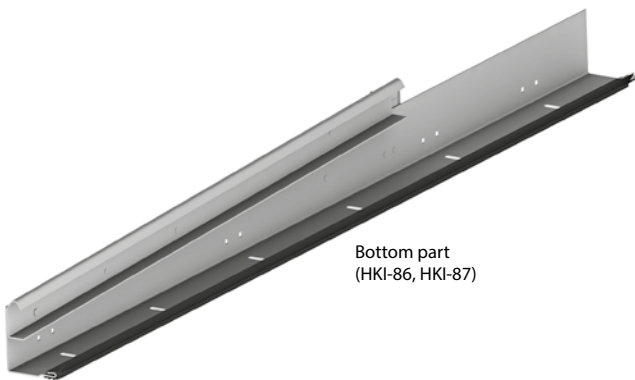
**Inclined high mounting
with bottom shaft positioning**

Article	Application (hanger system)	Notes
HKI-86	GSH-24	Left, bottom part
HKI-87		Right, bottom part
HKI-88	GSH-24	Left, top part
HKI-89		Right, top part
HKI-92	GSH-25	Left
HKI-93		Right

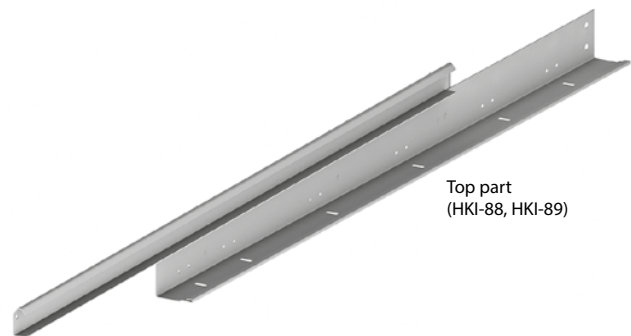


(HKI-92, HKI-93)

One-piece angle profile



Bottom part
(HKI-86, HKI-87)



Top part
(HKI-88, HKI-89)

Two-piece angle profile

Vertical track profile

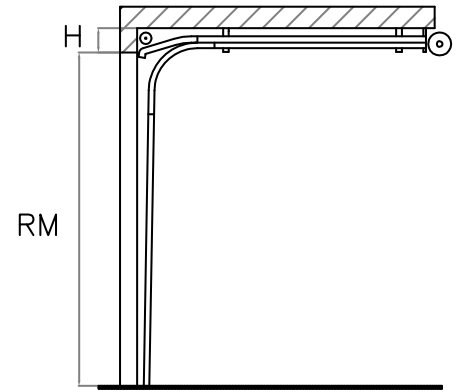
Door type: ProPlus series industrial doors.

Mounting type: low.

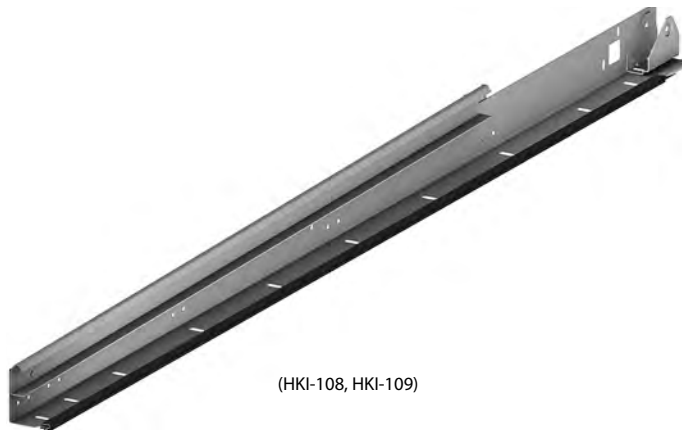
Components: angle profile, vertical track profile, connecting plates, side seal, pulley bracket.

Measure unit..... pcs.

Article	Application (hanger system)	Notes
HKI-108	GSH-17	Left
HKI-109		Right
HKI-110	GSH-18	Left, bottom part
HKI-111		Right, bottom part
HKI-112	GSH-18	Left, top part
HKI-113		Right, top part

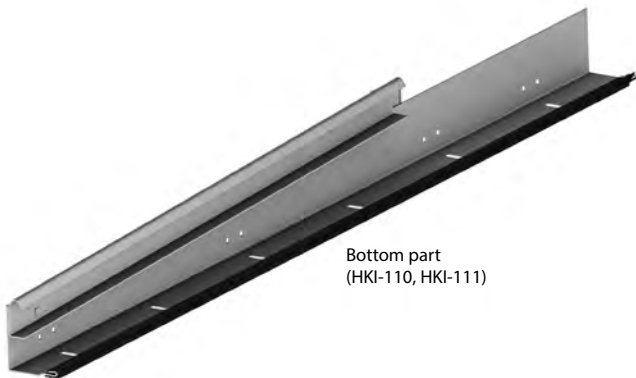


Low mounting type

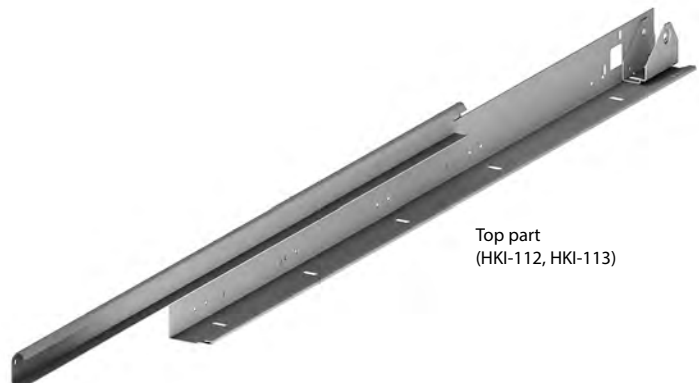


(HKI-108, HKI-109)

One-piece angle profile



Bottom part
(HKI-110, HKI-111)



Top part
(HKI-112, HKI-113)

Two-piece angle profile

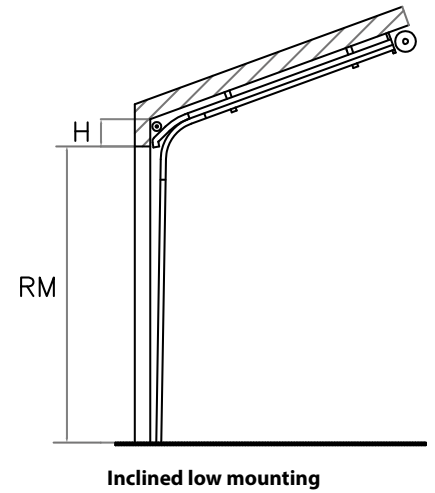
Vertical track profile

Door type: ProPlus series industrial doors.

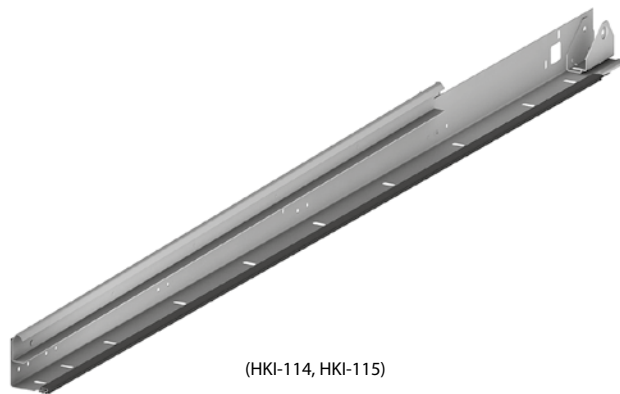
Mounting type: inclined low.

Components: angle profile, vertical track profile, connecting plates, side seal, pulley bracket.

Measure unit..... pcs.

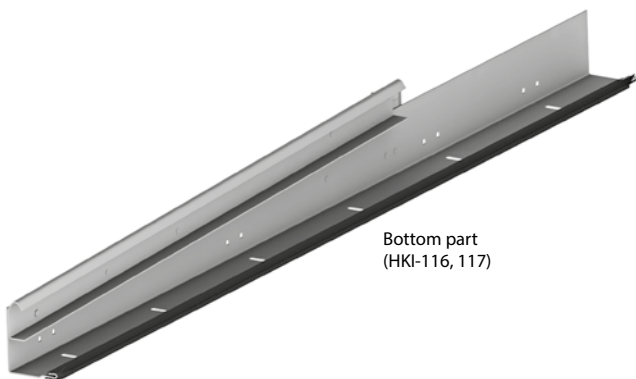


Article	Application (hanger system)	Notes
HKI-114	GSH-27	Left
HKI-115		Right
HKI-116	GSH-28	Left, bottom part
HKI-117		Right, bottom part
HKI-118	GSH-28	Left, top part
HKI-119		Right, top part

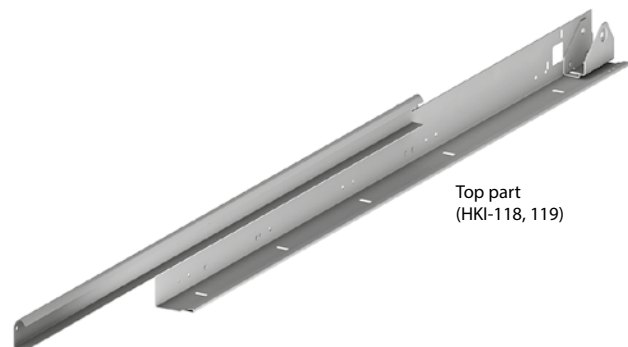


(HKI-114, HKI-115)

One-piece angle profile



Bottom part
(HKI-116, 117)



Top part
(HKI-118, 119)

Two-piece angle profile

Cover strip

Door type:

- Prestige series garage doors with tension springs;
- Prestige series garage doors of low and standard mounting types;
- ProPlus series industrial doors of low and inclined low mounting types.

Components: horizontal profile, sealing insert.

Measure unit..... pcs.

Article	Door series	Mounting type
HKG-6	Prestige	Standard
HKG-11	Prestige	Low
	ProPlus	Low Inclined low
HKG-15	Prestige with tension springs	—



Horizontal track profile

Door type:

- Prestige series garage doors with tension springs;
- Prestige series garage doors of low and standard mounting types.

Components: horizontal track profile, horizontal track set, connecting plates.

Measure unit..... pcs.

Article	Door series	Mounting type	Notes
HKG-7	Prestige	Standard	Left
HKG-8			Right
HKG-12	Prestige	Low	Left
HKG-13			Right
HKG-16	Prestige with tension springs	—	Left
HKG-17			Right



Horizontal track profile

Door type: Prestige series garage doors of high mounting type.

Components: horizontal track profile, horizontal track set, connecting plates.

Measure unit..... pcs.

Article	Notes
HKG-20	Left
HKG-21	Right



Horizontal track profile

Door type: ProPlus series industrial doors of all mounting types except for vertical.

Components: horizontal track profile, horizontal track set, connecting plates.

Measure unit pcs.



Article	Mounting type	Application (hanger system)	Notes	
HKI-12	Standard	GSH-4	Left	
HKI-13			Right	
HKI-18		GSH-5	Left	
HKI-19			Right	
HKI-24	High with top shaft positioning	GSH-6	Left	
HKI-25			Right	
HKI-28		GSH-7	Left	
HKI-29			Right	
HKI-32		GSH-8	Left	
HKI-33			Right	
HKI-38		High with bottom shaft positioning	GSH-9	Left
HKI-39				Right
HKI-42	GSH-10		Left	
HKI-43			Right	
HKI-64	Inclined		GSH-19	Left
HKI-65				Right
HKI-70		GSH-20	Left	
HKI-71			Right	
HKI-76	Inclined high with top shaft positioning	GSH-21	Left	
HKI-77			Right	
HKI-80		GSH-22	Left	
HKI-81			Right	
HKI-84		GSH-23	Left	
HKI-85			Right	
HKI-90		Inclined high with bottom shaft positioning	GSH-24	Left
HKI-91				Right
HKI-94	GSH-25		Left	
HKI-95			Right	
HKI-100	Low		GSH-17	Left
HKI-101		Right		
HKI-102		GSH-18	Left	
HKI-103	Right			
HKI-104	Inclined low	GSH-27	Left	
HKI-105			Right	
HKI-106		GSH-28	Left	
HKI-107			Right	

Track system

Door type:

- Prestige series garage doors low and standard mounting type;
- Prestige series garage doors with tension springs.

Components: system of horizontal and vertical track profiles (right and left), side seal, cover strip with seal, spacer bar.

Measure unit..... pcs.



Article	Door series	Mounting type
GSH-1	Prestige	Standard
GSH-2	Prestige	Low
GSH-29	Prestige with tension springs	—

1.1

1.2

1.3

1.4

Track system

Door type: Prestige series garage doors of high mounting type.

Components: system of horizontal and vertical track profiles (right and left), side seal, spacer bar.

Measure unit..... pcs.



Article
GSH-3

1.5

2

3

4

Track system

Door type: ProPlus series industrial doors of standard and high mounting types.

Components: system of horizontal and vertical track profiles (right and left), side seal, spacer bar.

Measure unit pcs.

Article	Mounting type
GSH-4	Standard
GSH-5	
GSH-6	
GSH-7	High with top shaft positioning
GSH-8	
GSH-9	High with bottom shaft positioning
GSH-10	



Track system

Door type: ProPlus series industrial doors of low mounting types.

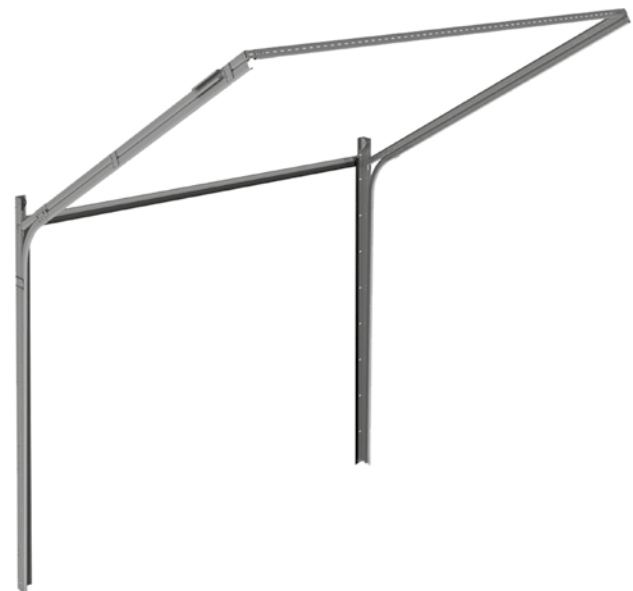
Components: system of horizontal and vertical track profiles (right and left), side seal, spacer bar, pulley bracket.

Measure unit pcs.

Article	Mounting type
GSH-17	Low
GSH-18	
GSH-27	Inclined low
GSH-28	



Low mounting



Inclined low mounting

Track system

Door type: ProPlus series industrial doors of vertical mounting types.

Components: system of vertical track profiles (right and left), side seal, spacer bar.

Measure unit: pcs.

Article	Mounting type
GSH-12	Vertical with top shaft positioning
GSH-13	
GSH-14	Vertical with bottom shaft positioning
GSH-15	
GSH-16	



**Vertical
with top shaft positioning**



**Vertical
with bottom shaft positioning**

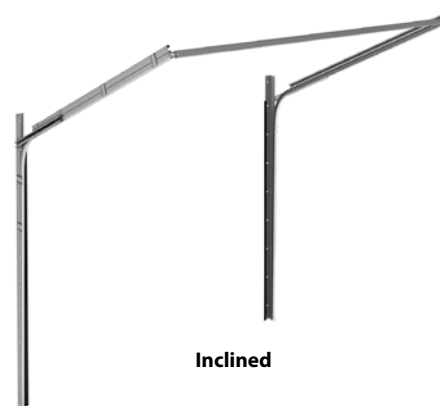
Track system

Door type: ProPlus series industrial doors of inclined mounting types.

Components: system of horizontal and vertical track profiles (right and left), side seal, spacer bar.

Measure unit: pcs.

Article	Mounting type
GSH-19	Inclined
GSH-20	
GSH-21	Inclined high with top shaft positioning
GSH-22	
GSH-23	
GSH-24	Inclined high with bottom shaft positioning
GSH-25	





Alutech Doors Systems, LLC



AluminTechno, JLLC



Alutech Incorporated, LLC

ALUTECH Group of Companies is one of the leaders on the roller shutter systems and sectional doors market in Eastern and Western Europe and is the leading manufacturer of aluminium profile systems in the CIS countries. ALUTECH Group consists of five manufacturing enterprises and more than 20 sales companies in the CIS and Europe.

In 2016 ALUTECH Group of Companies started production of loading equipment. Company's range of products has been complemented with effective solutions for warehouses and logistics centres: dock shelters, dock levellers, loading bays and platforms.

In 2017 ALUTECH Group expanded its range of products with its own advanced conceptual line of automation for entrance gates, garage and industrial doors.

All enterprises of the Group are equipped with high-tech equipment such as:

- line for coating and cutting of aluminium and steel tape;
- roll-forming lines;
- automated die casting machines;
- lines for producing sandwich panels for sectional doors and assembling the door leaf;
- automated sorting and storage centres;
- casting machine for producing aluminium ingots;
- aluminium extrusion lines;
- vertical and horizontal powder coating lines;
- the CIS largest complex for anodizing of aluminium profiles.

ALUTECH Group of Companies has its own manufacturing units, which allows to provide the quality control at every stage: from project development and material purchasing to finishing and packing the product. The quality management system of every Group's enterprise is certified in compliance with ISO 9001 and ISO 14001.

ALUTECH products are operated on millions of site and are supplied to more than 65 countries of the CIS, Europe, Asia, Africa and Northern America.